

INSTALLATION INSTRUCTION

**SS FRONT RUNNER
2014-2015 TOYOTA
HIGHLANDER
PART # 15TYHGSS-14**



**BLACK HORSE
OFF ROAD**

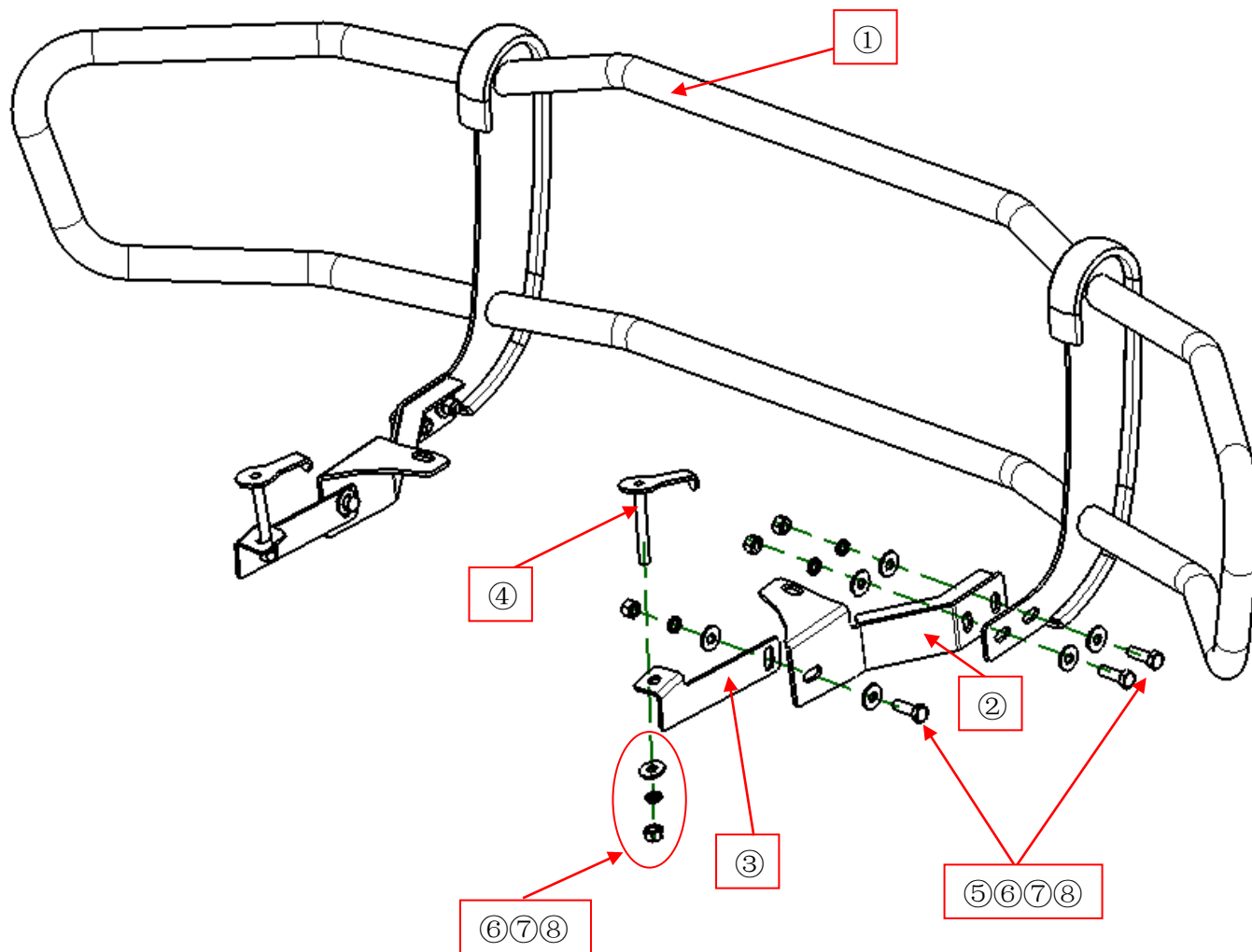
Attention:

- Please read this installation menu before installing this part. Protect your car properly in case there is any scratch might happen.
- You may need to periodically to re-tighten all hardware for safety use after installation.
- Installation pictures are only for your reference, there might be some differences between pictures and real parts but no affection for your fitting.

PART LIST

NO.	NAME	QTY	REMARK	NO.	NAME	QTY	REMARK
①	Grille Guard	1		⑤	Hexagon Head Bolt	6	M12*35
②	Bracket	2		⑥	Large Washer	14	φ12*30*3.0
③	Bracket 2	2		⑦	Spring Washer	8	φ12
④	Deformed Bolt	2		⑧	Hexagon Nut	8	M12

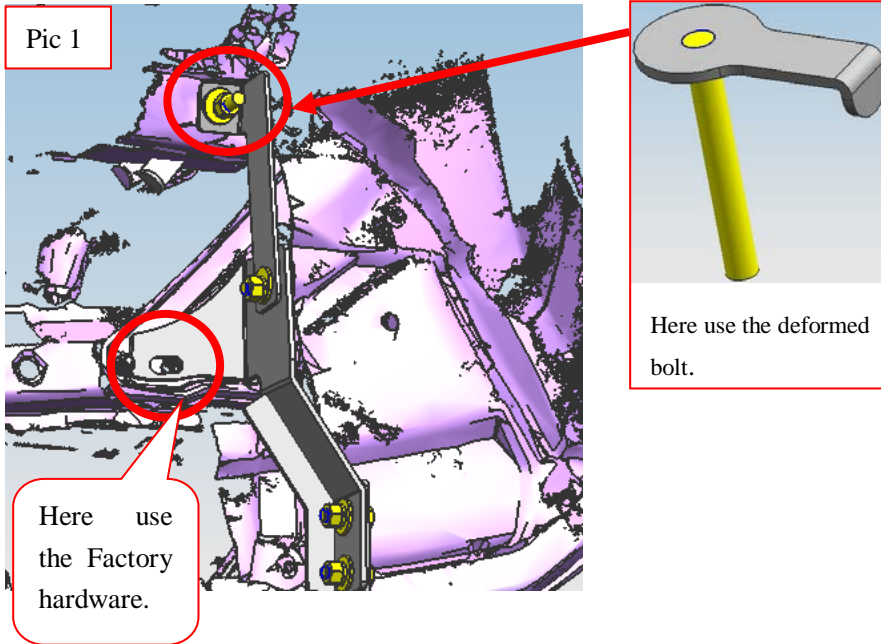
INSTALLATION PICTURES



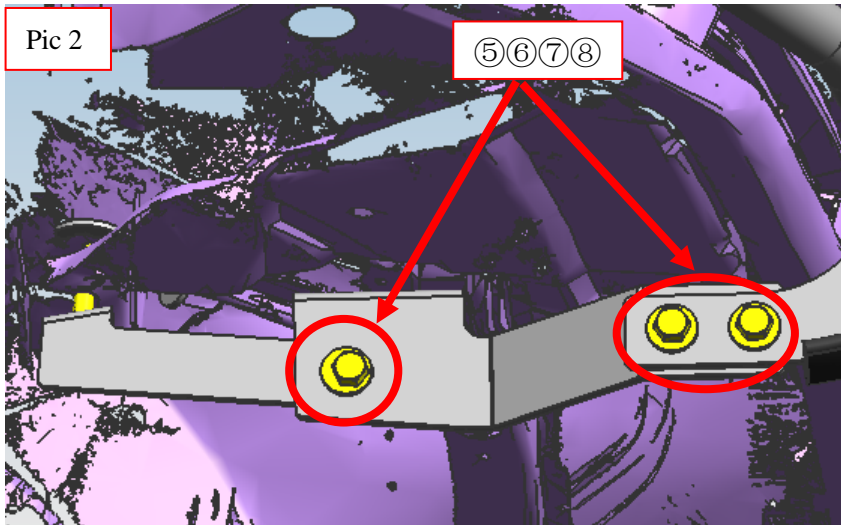
INSTALLATION PROCEDURES

Step 1: Refer to the Part list to check if all the hardware are included.

Step 2: Refer to the car bottom hole and install the mounting brackets respectively. As shown in Pic 1.

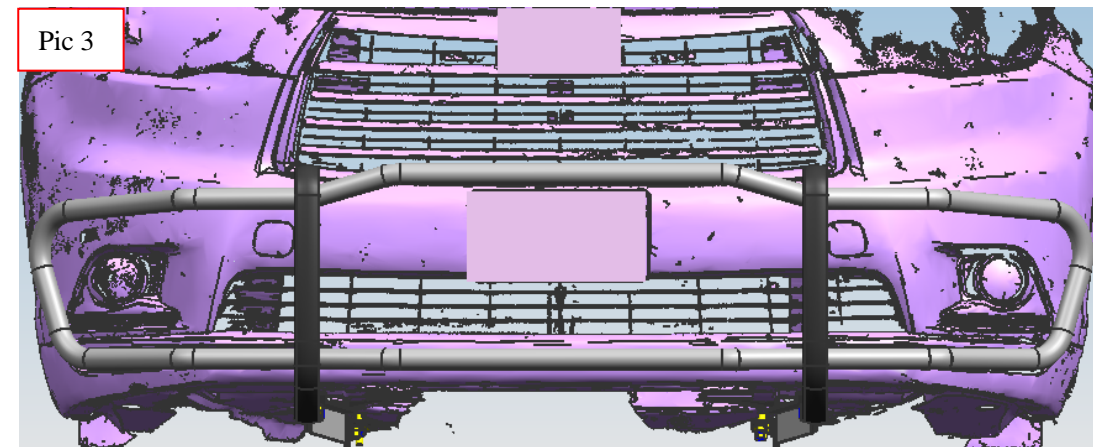


Step3: Refer to Pic 2 to install the grille guard on the brackets, and then adjust the brackets.



Step4: Check if all hard ware are installed and fastened.

Step 5: Complete the installation.



Disclaimer: Caused due to improper installation initiates or some related problem and losses, are beyond our company's quality assurance.

Rely on premium grille guards and bull bars by Black Horse if you're looking for quality and efficiency.