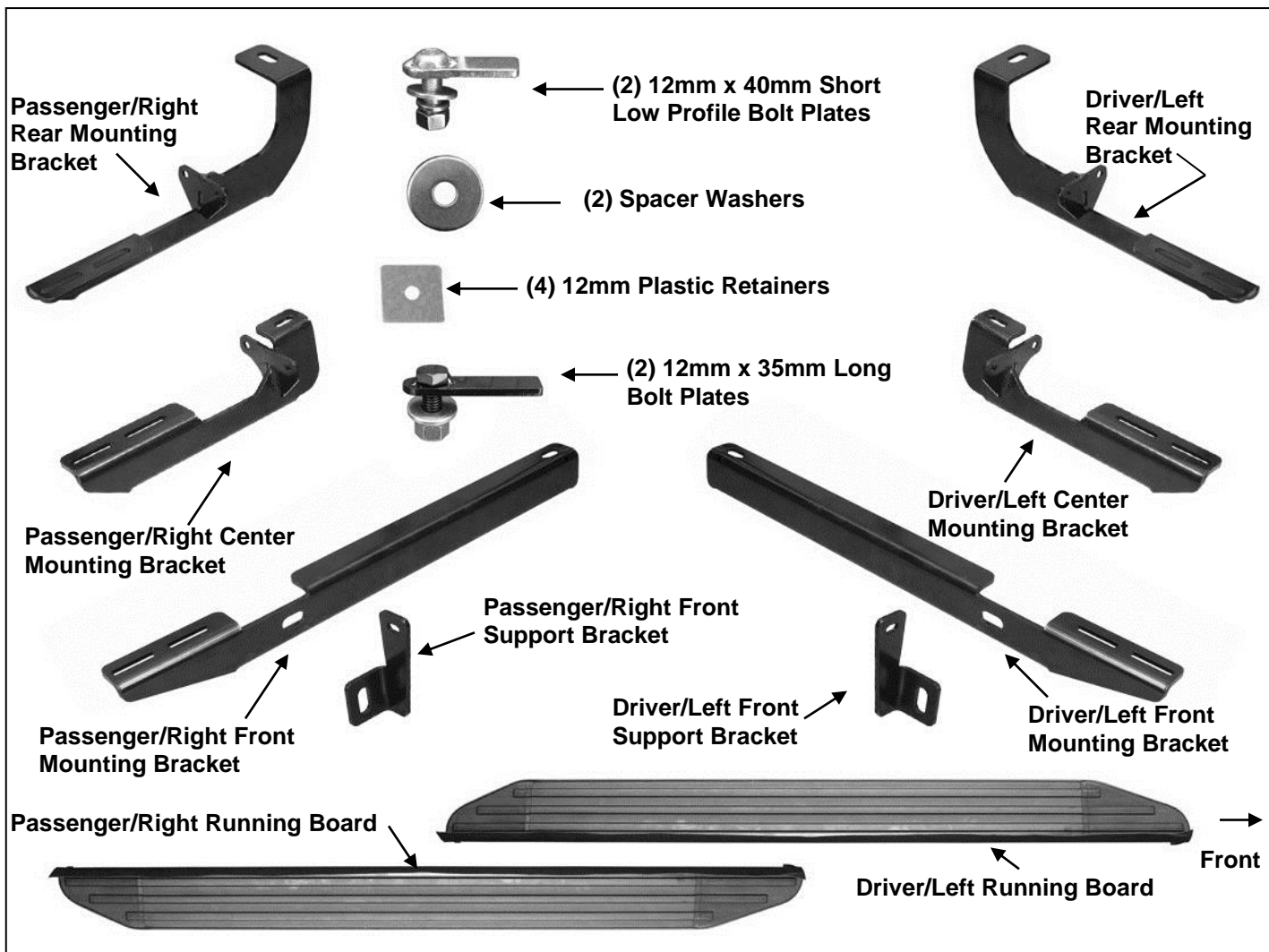


PARTS LIST:

1	Driver/Left Running Board with 1" Rubber Backing (use on SX & Limited models)	4	12mm Plastic Retainer
1	Passenger/Right Running Board with 1" Rubber Backing (use on SX & Limited models)	4	12mm Lock Washer
2	2" Tall Rubber Backing (use on LX and EX models)	4	12mm x 24mm OD x 2.5mm Flat Washers
1	Driver/Left Front Mounting Bracket	4	12-1.75mm Hex Nut
1	Passenger/Right Front Mounting Bracket	2	8-1.25mm x 25mm Hex Bolt
1	Driver/Left Front Support Bracket	4	8mm x 22mm OD x 2mm Flat Washers
1	Passenger/Right Front Support Bracket	2	8-1.25mm Nylon Lock Nuts
1	Driver/Left Center Mounting Bracket	12	6mm T-Bolts
1	Passenger/Right Center Mounting Bracket	12	6-1.0mm x 25mm Hex Bolts
1	Driver/Left Rear Mounting Bracket	14	6mm Lock Washers
1	Passenger/Right Rear Mounting Bracket	22	6mm x 18mm OD x 1.6mm Small Flat Washers
2	12mm x 40mm Short Button Head Bolt Plate	12	6mm x 22mm OD x 2mm STD Flat Washers
2	12mm x 35mm Long Bolt Plate	12	6mm Hex Nuts
2	14mm x 50mm x 4mm Spacer Washer	10	6-1.0mm Nylon Lock Nuts



PROCEDURE:

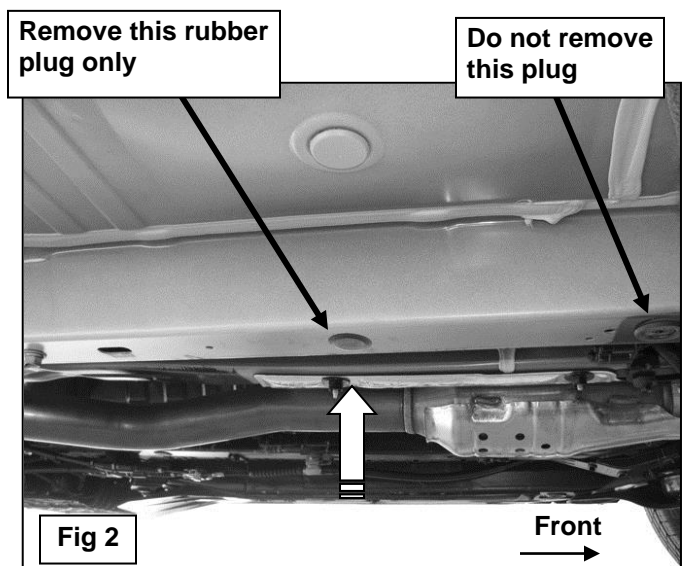
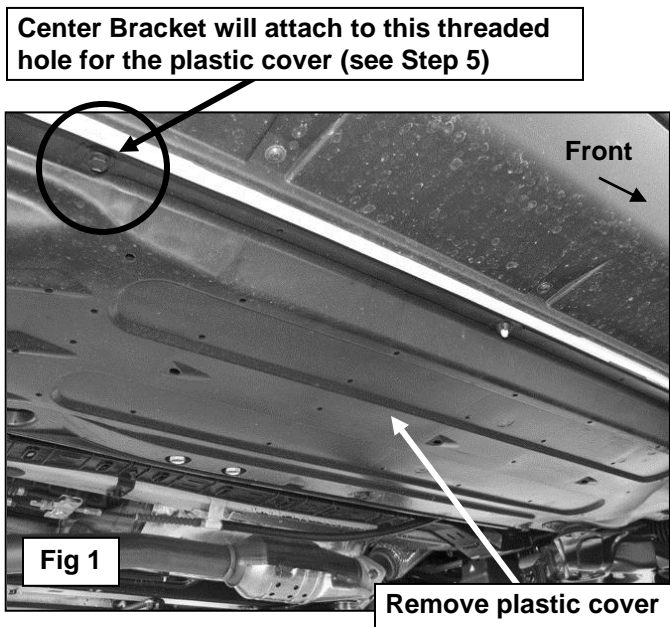
REMOVE CONTENTS FROM BOX. VERIFY ALL PARTS ARE PRESENT. READ INSTRUCTIONS CAREFULLY BEFORE STARTING INSTALLATION. CUTTING AND DRILLING IS REQUIRED.

1. Starting at the front, passenger side of the vehicle, locate and remove the plastic cover attached to the bottom of the floor panel, **(Figure 1)**. Next, locate and remove the rubber plug in the bottom of the inner frame channel, **(Figure 2)**. Partially thread (1) 12mm Plastic Retainer onto (1) 12mm x 35mm Long Bolt Plate. Insert the Bolt Plate into the hole and thread the Retainer down tight to help hold the Bolt Plate in position, **(Figures 3A & 3B)**.
2. Select (1) Passenger Front Bracket and (1) Passenger Front Support Bracket, **(Figure 4)**. Bolt the bent end of the Support Bracket to the front facing side of the front Bracket with (1) 8mm x 25mm Hex Bolt, (2) 8mm Flat Washers, (1) 8mm Lock Washer and (1) 8mm Hex Nut. Snug but do not tighten hardware at this time.
3. Next, attach the inner end of the front Bracket assembly to the Bolt Plate with (1) 12mm Flat Washer (1) 12mm Lock Washer and (1) 12mm Hex Nut, **(Figure 5)**. Leave hardware loose at this time.
4. Line up the mounting tab on the front Support Bracket with the back of the pinch weld. Use a clamp to temporarily attach the Support Bracket to the pinch weld, **(Figure 6)**.
5. Move toward the center of the vehicle. Locate the last/rear threaded hole in the outer frame channel for the plastic cover removed in **Step 1, (Figure 1)**. Select the passenger Center Bracket. Bolt the Bracket to the threaded hole with (1) 6mm x 25mm Hex Bolt, (1) 6mm Lock Washer and (1) 6mm x 22mm STD Flat Washer, **(Figure 7)**. Do not tighten the hardware at this time.
6. Continue along the side of the vehicle and locate the rubber plug in the bottom of the floor panel directly in front of the rear suspension mount, **(Figure 8)**. Remove the plug. Partially thread (1) 12mm Plastic Retainer onto (1) 12mm x 40mm Short Low Profile Bolt Plate. Repeat **Step 1** to insert the Bolt Plate with Retainer into the hole, **(Figures 9A & 9B)**. Select the passenger rear Bracket. Slide (1) Large Spacer Washer over the Bolt Plate and Retainer, **(Figure 10A & 10B)**, then attach the passenger Rear Bracket to the Bolt Plate with (1) 12mm Flat Washer, (1) 12mm Lock Washer and (1) 12mm Hex Nut, **(Figure 11)**.
7. Push the mounting tab on the rear Bracket up tight against the back of the pinch weld. Use a clamp to help hold the Bracket in place if necessary. Snug but do not tighten the hardware at this time.
8. Carefully unwrap the Running Boards. Determine the correct rubber backing for your model.
SX and Limited models:
Install the Running Boards as packaged with the shorter 1" Rubber Backing Strip and continue on to **Step 9**.
LX and EX models:
The Running Boards are shipped with 1" tall Rubber Backing Strips. Slide the Rubber Strip out of the end of the passenger side Running Board and replace it with the included taller 2" Rubber Strip, **(Figure 12)**. Repeat this Step for the driver side Running Board.
9. Select the passenger side Running Board. From the front, slide (3) 6mm T-Bolts into each of the two channels in the bottom of the Running Board, **(Figure 13)**. Slide the T-Bolts forward or back to line up with the slots in the (3) Mounting Brackets. Hold the Running Board up to the vehicle at a slight angle and gently push it into position against the rocker panel. Insert the T-Bolts through the slots in the Brackets. **NOTE:** Depending on model, it may be necessary to loosen the (3) Brackets in order to fit the Running Board between the rocker panel and the Brackets. Reattach Brackets if necessary.
10. Attach the Running Board to the (3) Mounting Brackets with the included (6) 6mm x 22mm STD Flat Washers, (6) 6mm Lock Washers and (6) 6mm Hex Nuts, **(Figure 14)**. Do not tighten hardware.
11. Level and adjust the Running Board properly and tighten all Bracket to vehicle hardware. Make sure that the Running Board is level and that the mounting holes in the Brackets are not too close to the bottom edge of the pinch weld before marking any of the holes for the Brackets, **(Figure 15)**.
12. Mark the front, center and rear Support Bracket slot locations onto the back of the pinch weld, **(Figure 16)**. Temporarily remove the Running Board and Brackets. Remove the screws attaching the plastic rocker cover to the bottom of the body, **(Figure 11)**.
13. Drill 1/4" holes, (5 total), through the pinch weld at the previously marked front, center and rear Bracket locations. **IMPORTANT:** Be careful to avoid damaging the outer plastic rocker cover.

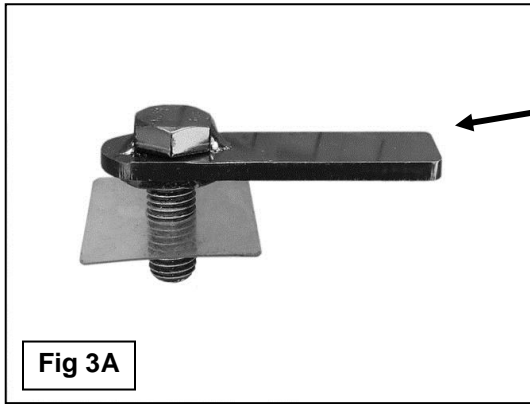
14. Remove the front Support Bracket from the front Bracket. Bolt the Support Bracket to the back of the pinch weld with (1) 6mm x 25mm Hex Bolt, (2) 6mm x 18mm Small Flat Washers and (1) 6mm Nylon Lock Nut, **(Figure 17)**. Leave hardware loose at this time.
15. Move to the center location and reinstall the Center Bracket. Bolt the mounting tab on the Bracket to the pinch weld with (2) 6mm x 25mm Hex Bolts, (4) 6mm x 18mm Small Flat Washers and (2) 6mm Nylon Lock Nuts, **(Figure 17)**. Leave hardware loose at this time.
16. Move to the rear Bracket location. Reinstall the Bracket and repeat **Step 15** to attach the rear support tab on the Bracket, **(Figure 17)**.
17. Reattach the lower rocker cover with the factory screws, **(see Step 12)**. **NOTE:** Trim the edge of the rocker cover around the 6mm Hex Bolts in pinch weld as required for proper fit and wrench access.
18. Temporarily attach the front Bracket to the front Support Bracket and Bolt Plate. Hold the large plastic cover removed in **Step 1** up against the bottom of the front Bracket. Mark the location of the Bracket onto the inside of the cover, **(Figure 18A)**. Remove the front Bracket. Cut a slot in the cover with a sharp knife or hacksaw blade, **(Figure 18B)**. **IMPORTANT:** Only remove material necessary to clear the front Bracket. Do not cut through the inner or outer edge of the cover.
19. Next, locate the hole in the cover for the center Bracket mounting location. Trace the Bracket outline onto the cover. Cut a section out of the cover to clear the mounting tab on the Bracket, **(Figure 18B)**. **IMPORTANT:** Be very careful and do not cut complete through the outer edge. Remove the center Bracket and reinstall the plastic cover with the factory hardware.
20. Reinstall the front and center Brackets.
21. Reinstall the Running Board. Align, adjust and fully tighten all hardware at this time.
22. Repeat **Steps 1 - 21** for the driver side Running Board installation.
23. Do periodic inspections of the installation to make sure that all hardware is secure and tight.

To protect your investment, wax this product after installing. Regular waxing is recommended to add a protective layer over the finish. Do not use any type of polish or wax that may contain abrasives that could damage the finish. Aluminum polish may be used to polish small scratches and scuffs on the finish. Mild soap may be used also to clean the Running Board.

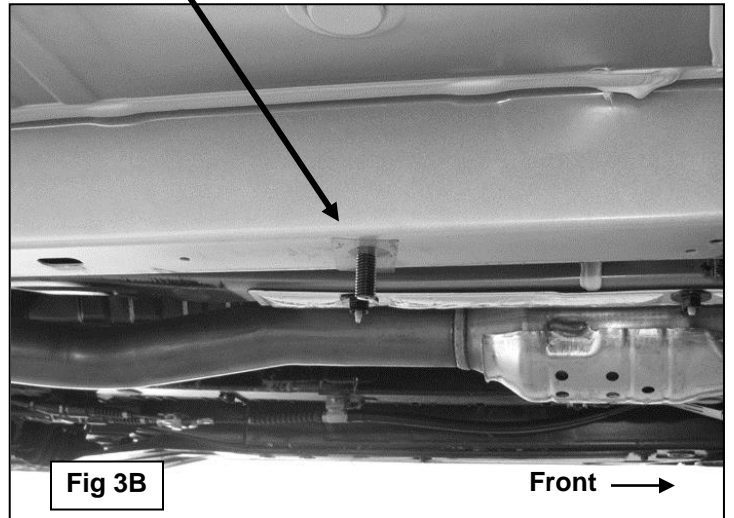
Passenger Side Installation Pictured



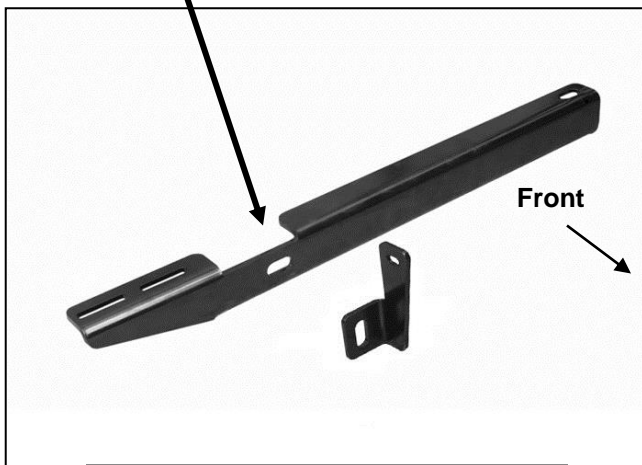
Passenger Side Installation Pictured



12mm x 35mm Long Bolt Plate
with 12mm Plastic Retainer

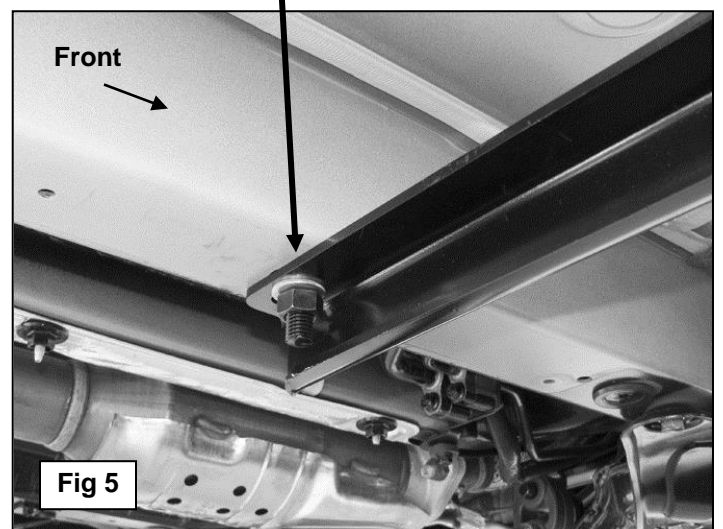


8mm x 25mm Hex Bolt
(2) 8mm Flat Washers
8mm Lock Washer
8mm Hex Nut

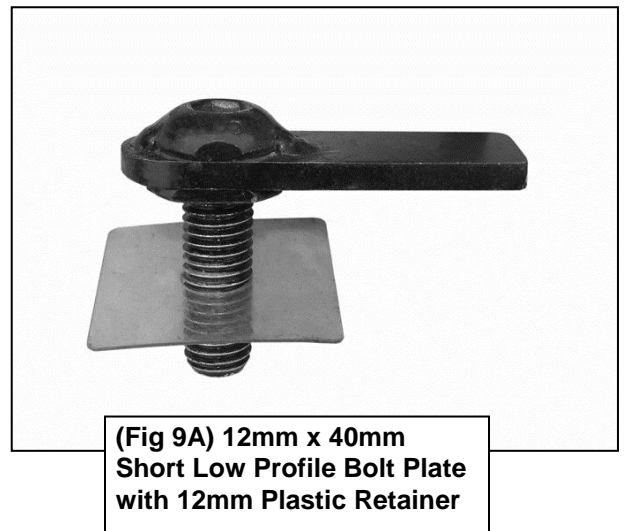
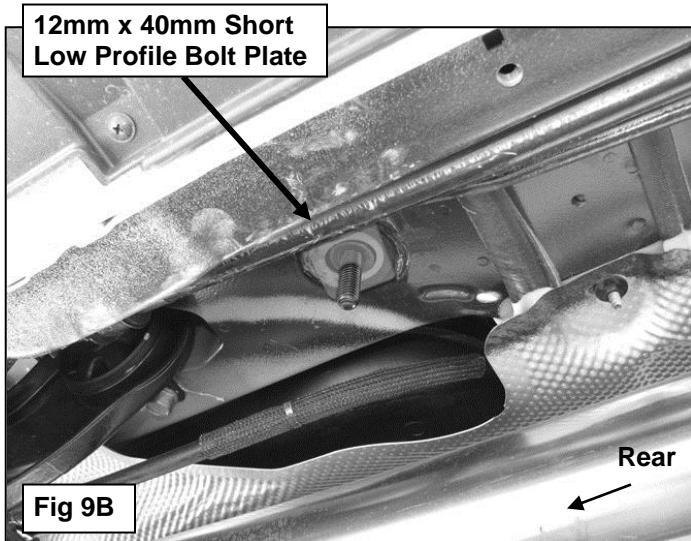
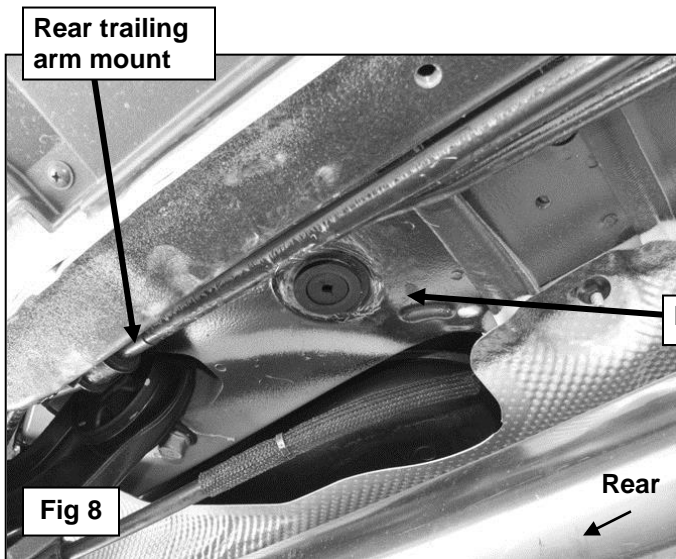
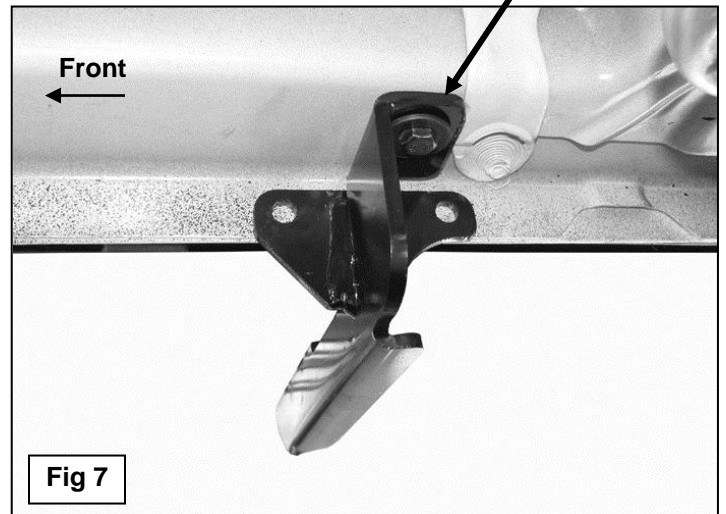
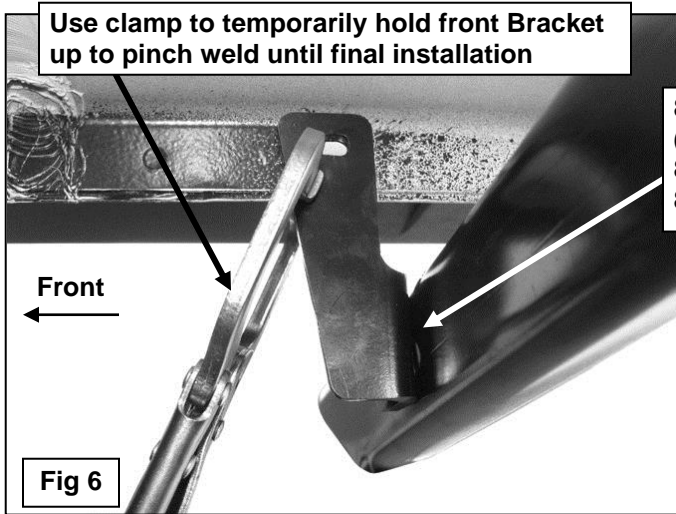


(Fig 4) Passenger front Bracket and
front Support Bracket pictured

12mm Flat Washer
12mm Lock Washer
12mm Hex Nut

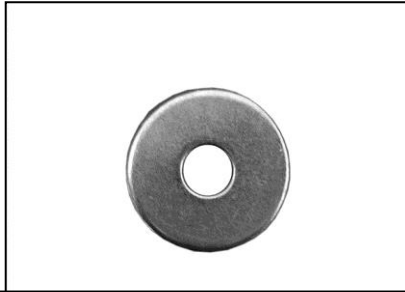


Passenger Side Installation Pictured



Passenger Side Installation Pictured

12mm x 40mm Short
Low Profile Bolt Plate



(Fig 10A) Insert Spacer between the Bracket and the body panel

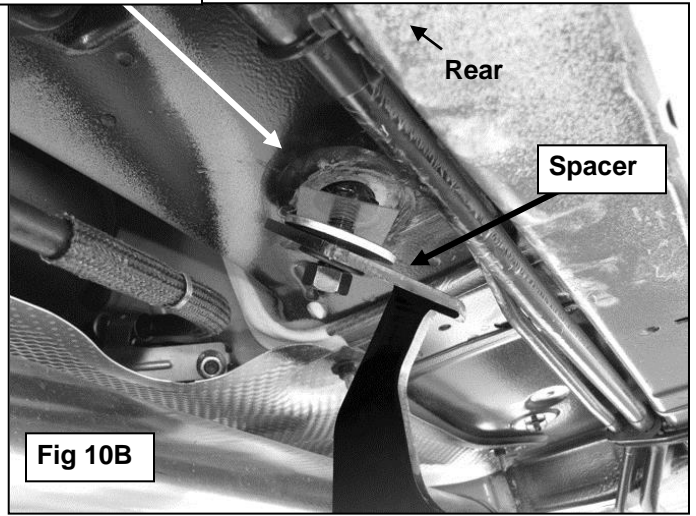


Fig 10B

Insert Spacer between the Bracket and the body panel

12mm Lock Washer
12mm Flat Washer
12mm Hex Nut

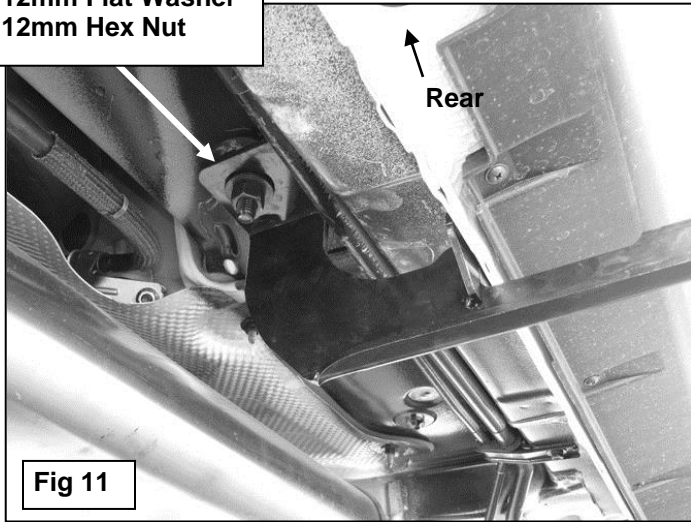


Fig 11

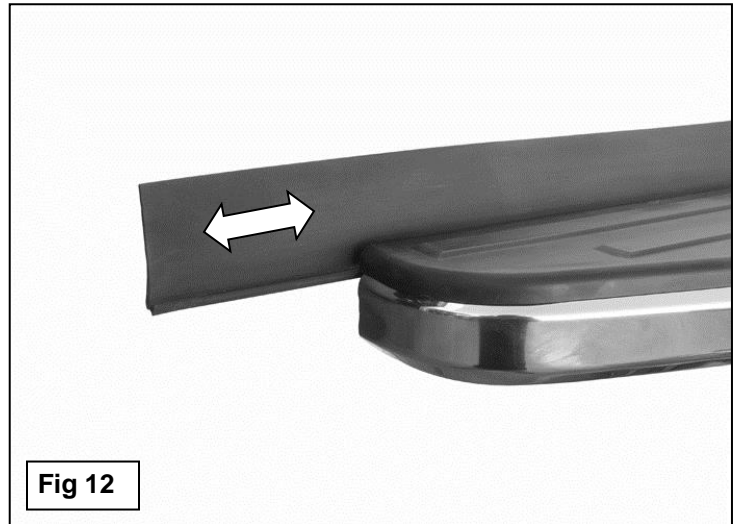
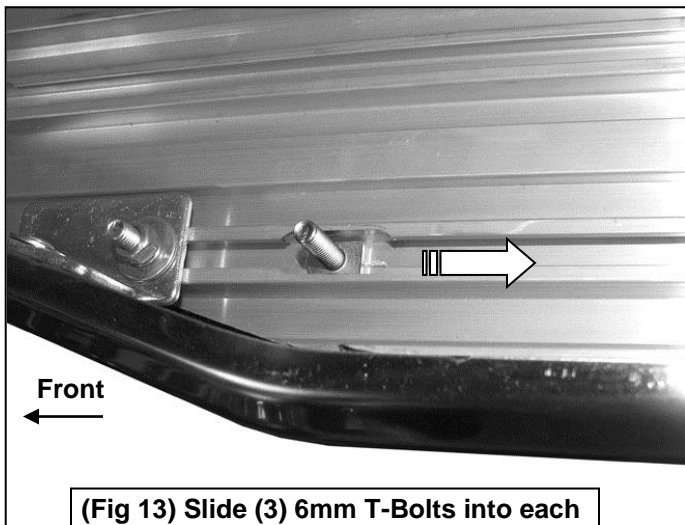


Fig 12

Slide the correct Rubber Strip into channel on back of Running Board. Installation of 2" tall backing for LX & EX pictured for example



(Fig 13) Slide (3) 6mm T-Bolts into each channel on bottom of Running Board

Passenger Side Installation Pictured

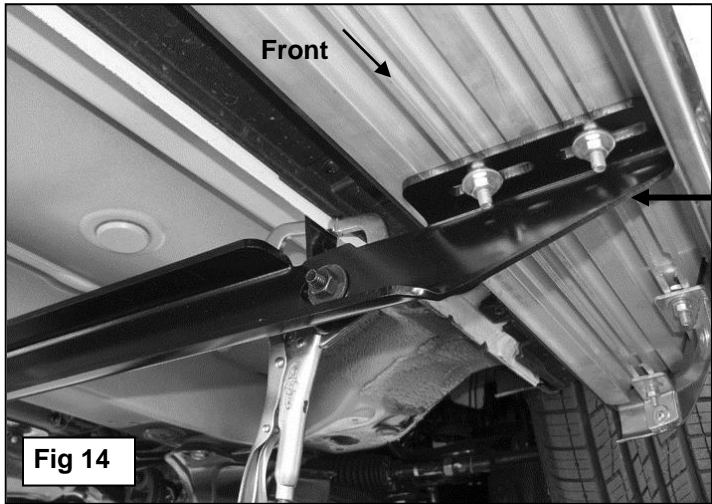


Fig 14

Use clamp to temporarily hold front Bracket up to pinch weld until final installation

- (2) 6mm x 22mm STD Flat Washers
- (2) 6mm Lock Washers
- (2) 6mm Hex Nuts

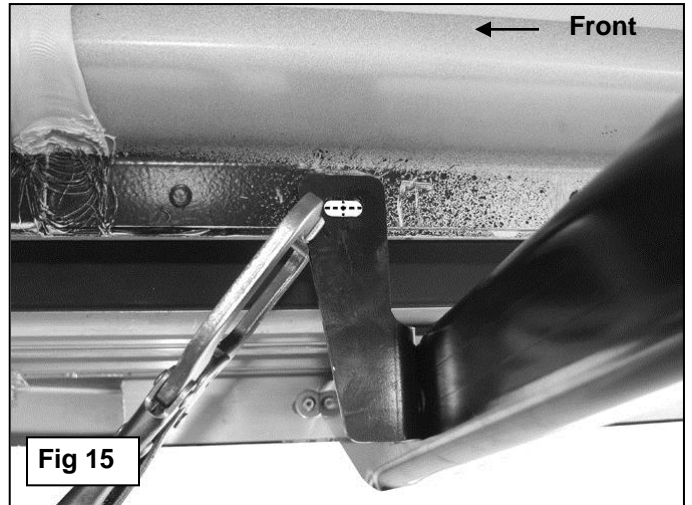


Fig 15

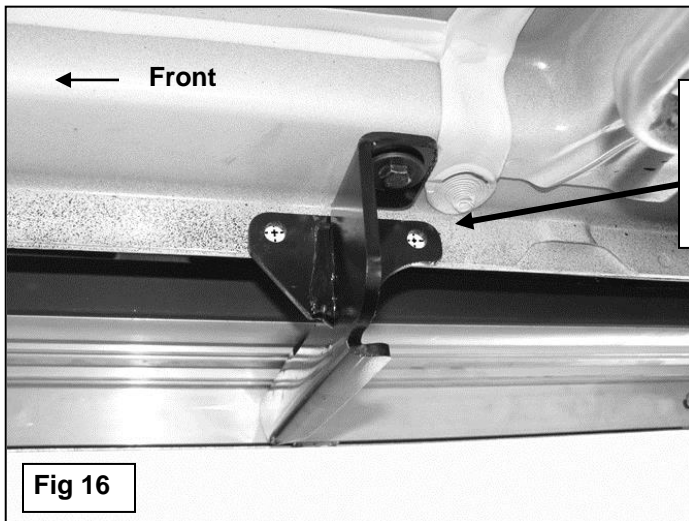


Fig 16

Mark the Bracket location onto back of pinch weld. Do not drill until after Running Board is properly aligned and adjusted. Use clamp to temporarily hold Support Bracket in place. Do not drill too close to bottom edge of pinch weld

- (2) 6mm x 25mm Hex Bolts
- (4) 6mm x 18mm Small Flat Washers
- (2) 6mm Lock Washers
- (2) 6mm Hex Nuts

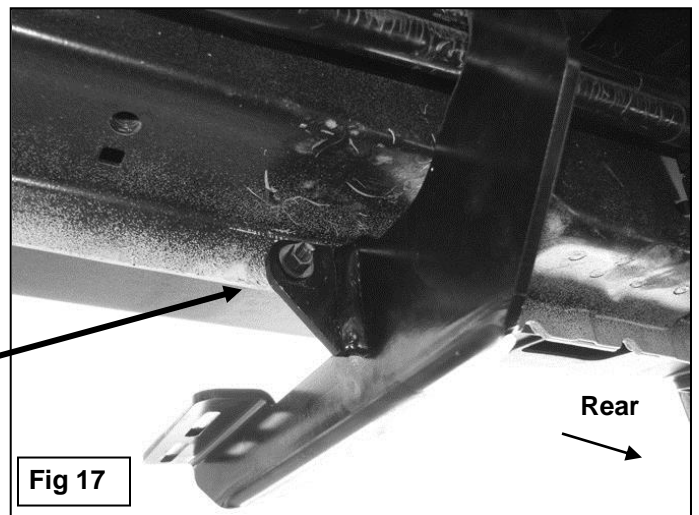
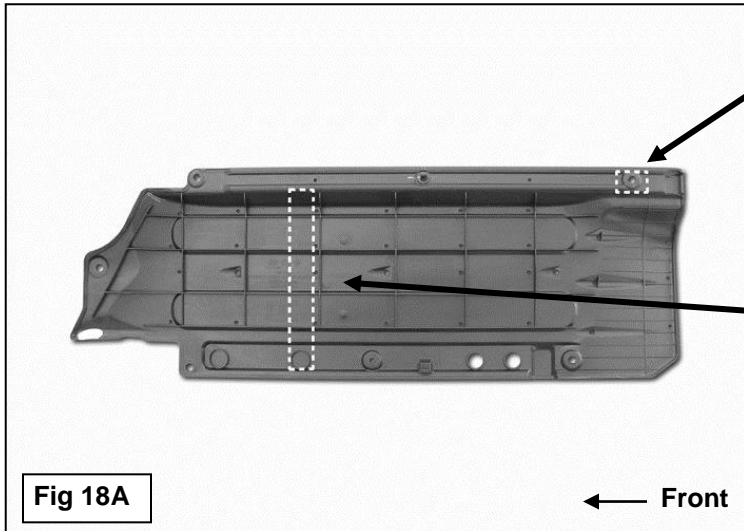


Fig 17

Passenger Side Installation Pictured



Outline of Center Bracket

After Running Board has been properly aligned and adjusted, hold the plastic cover up in place against the front Bracket. Trace the Bracket location onto the cover. Cut slot out of cover to clear front Bracket.

IMPORTANT: Do not cut through outer edge of the cover. Only remove material required for Bracket clearance

IMPORTANT: Do not cut through the inner or outer edge of the cover. Only remove material required for Bracket clearance

