



INSTALLATION INSTRUCTIONS

PART#: SR-DOR353296

SPARTAN RUNNING BOARD

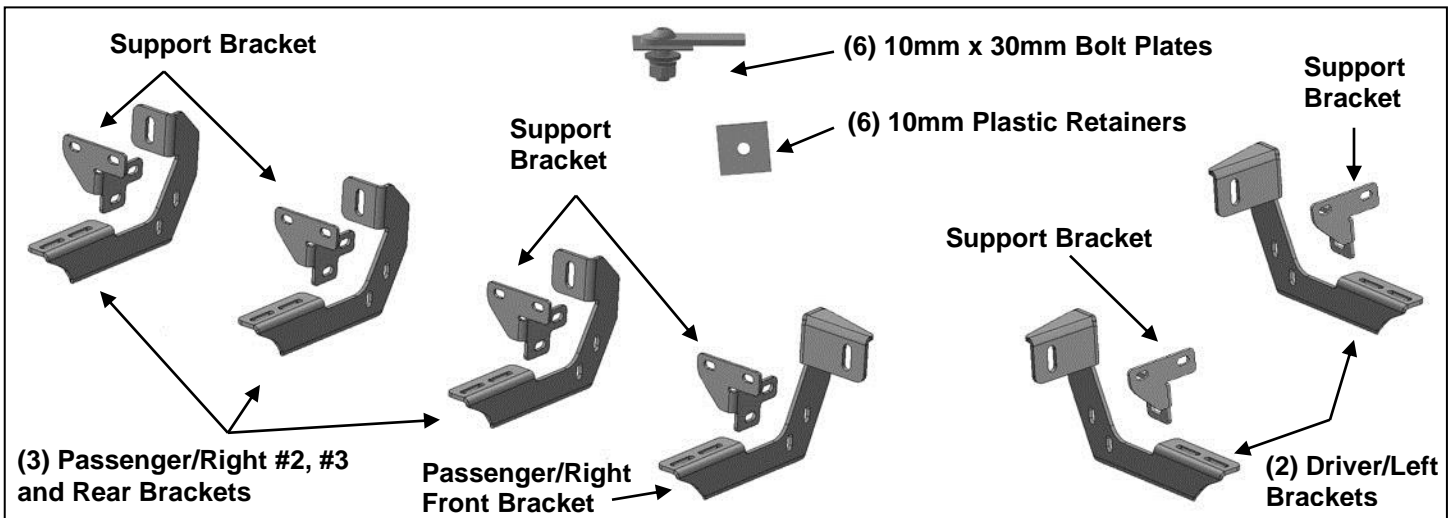
07-09 DODGE SPRINTER (FULL SIZE)

07-16 FREIGHTLINER SPRINTER (FULL SIZE)

10-16 MERCEDES-BENZ SPRINTER (FULL SIZE)

PARTS LIST:

1	Driver/left Spartan Running Board	6	10-1.5mm Hex Nuts
1	Passenger/right Spartan Running Board	24	8-1.25mm x 30mm Hex Bolts
2	Driver/left Side Mounting Brackets	48	8mm x 24mm x 2mm Flat Washers
1	Passenger/right Front Mounting Bracket	24	8mm Lock Washers
3	Passenger 2nd, 3rd and Rear Brackets	24	8mm Hex Nuts
6	Support Brackets	6	6mm Double Bolt Plates
6	10-1.5mm x 30mm Bolt Plates	12	6mm Flat Washers
6	10mm Plastic Retainers	12	6mm Lock Washers
6	10mm x 24mm x 2.2mm Flat Washers	12	6mm Hex Nuts
6	10mm Lock Washers		



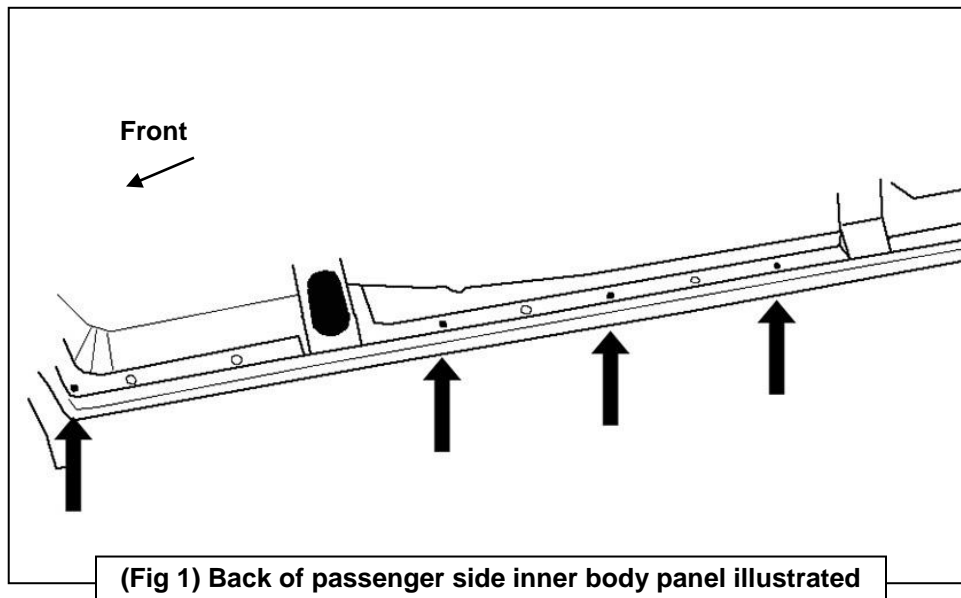
PROCEDURE:

1. REMOVE CONTENTS FROM BOX. VERIFY ALL PARTS ARE PRESENT. READ INSTRUCTIONS CAREFULLY BEFORE STARTING INSTALLATION. DRILLING IS REQUIRED. ASSISTANCE IS RECOMMENDED.
2. Starting on the passenger/right side of the vehicle, locate the factory hole in the inner body panel closest to the front tire opening, (**Figures 1 & 2**). Remove the rubber plug. **NOTE:** Mounting locations may be covered with heavy undercoating. Refer to instructions to find all mounting locations.
3. Select (1) 10mm Bolt Plate and (1) 10mm Plastic Retainer. Partially thread the Retainer onto the Bolt Plate, (**Figure 3**). Insert Bolt Plate into the hole in the inner body panel, (**Figure 4**). Once the Bolt Plate is inserted, hold the Bolt end with one hand and tighten the Plastic Retainer with your other hand until it is tight against the body panel. **IMPORTANT:** The Plastic Retainer is designed to prevent the Bolt Plate from falling into the body panel and to aid in Bracket installation.
4. Select the unique Passenger/right Front Bracket, (**Figure 5**). Attach the Bracket to the Bolt Plate with (1) 10mm Flat Washer, (1) 10mm Lock Washer and (1) 10mm Hex Nut. Do not tighten hardware at this time. **IMPORTANT:** The Mounting Brackets look similar. Use the illustration above and the instructions to properly identify and separate the Brackets for proper installation.
5. Next, select (1) Support Bracket. Attach the Support Bracket to the back of the front Mounting Bracket with (2) 8mm x 30mm Hex Bolts, (4) 8mm Flat Washers, (2) 8mm Lock washers and (2) 8mm Hex Nuts, (**Figure 6**). Line up the mounting flange on the Support Bracket with the outside of the pinch weld, (**Figure 12**).
6. Repeat **Steps 2—5** to install the passenger side 2nd, 3rd and rear Mounting Brackets and Support Brackets, (**Figures 7—11**).
7. Select the long passenger side Running Board. Place the Running Board on top of the (4) Brackets. Level and adjust the Running Board and fully tighten the Bracket to vehicle hardware only. Temporarily remove the Running Board.

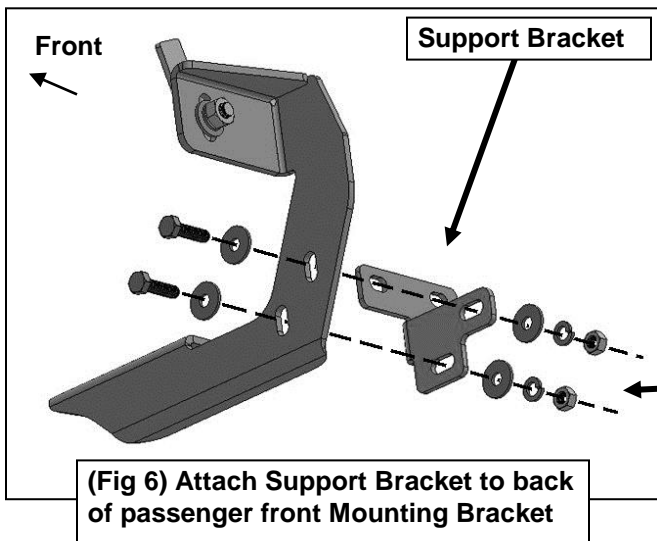
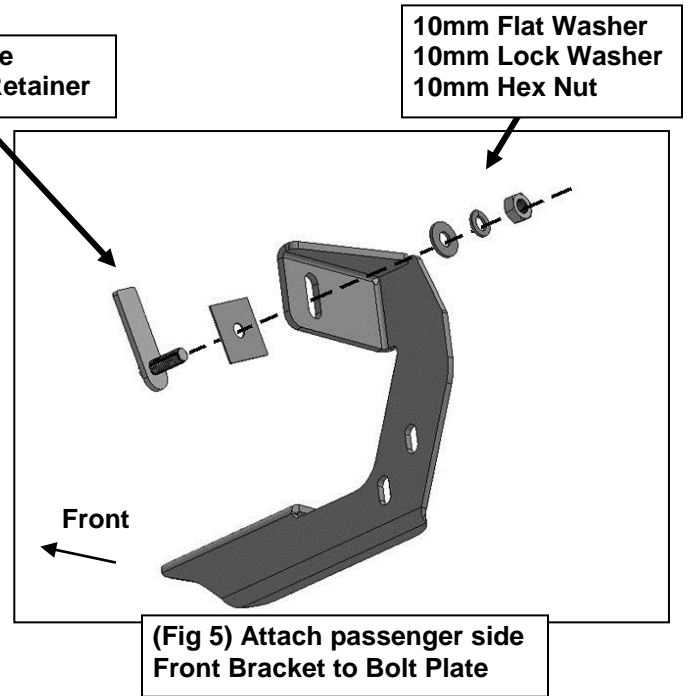
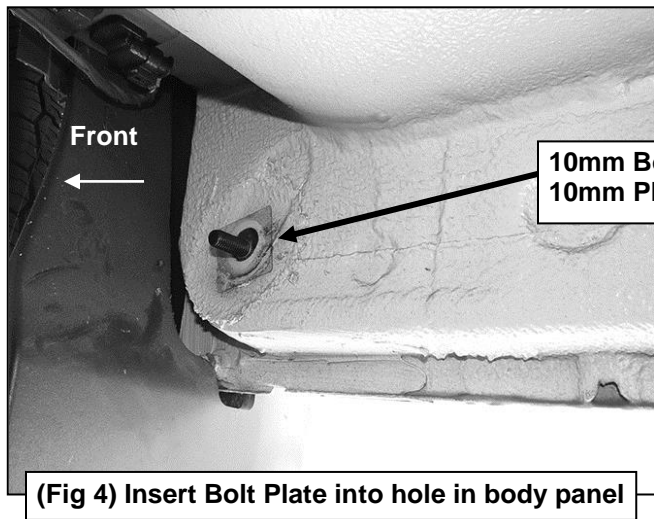
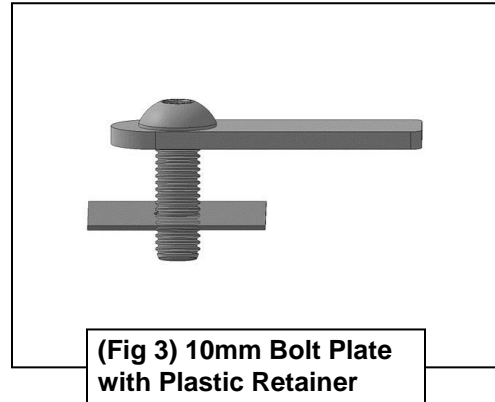
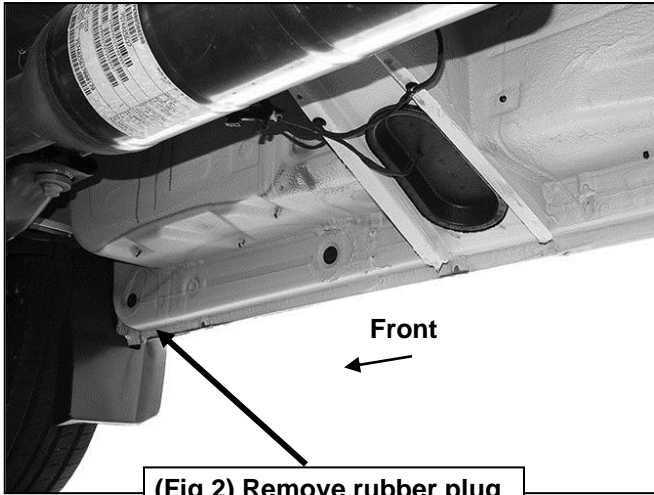
8. Make sure the Brackets are level to the vehicle. Line up the slots on each Support Bracket with the outside of the pinch weld. Mark the location of the slots onto the pinch weld, **(Figure 12)**. **IMPORTANT:** Do not drill too close to the bottom edge of the pinch weld. Adjust Support Brackets and/or Mounting Brackets so that slots in Support Brackets are not too close to the bottom edge of the pinch weld. Once the Running Board and Brackets are properly adjusted and slot locations marked, remove the Running Board and Support Brackets. Use a 5/16" drill bit to drill the (2) holes through the pinch weld for each Support Bracket, **(Figure 13)**.
9. Attach each Support Bracket to the outside of the pinch weld with (2) 8mm Hex Bolts, (4) 8mm Flat Washers, (2) 8mm Lock Washers and (1) 8mm Hex Nuts, **(Figures 13, 16 & 20)**. Repeat this Step to attach all Support Brackets. Tighten the hardware attaching the Support Brackets to the vehicle only.
10. Select (4) 6mm Double Bolt Plates, **(Figure 14)**. Locate the channels in the bottom of the Running Board, **(Figure 15)**. Insert the Bolt Plates into the channels in the bottom of the Running Board closest to the Brackets. Lift the Running Board up and guide the studs down through the Brackets.
11. Attach the Running Board to the Brackets with (8) 6mm Flat Washers, (8) 6mm Lock Washers and (8) 6mm Hex Nuts, **(Figures 16 & 20)**. **NOTE:** The Running Board is designed to fit close to the vehicle. It may be necessary to loosen the Bracket hardware and tilt the Brackets downward to insert the Running Board between the Brackets and the body. Level and adjust the Running Board and fully tighten all hardware.
12. Move to the driver side of the vehicle. Repeat **Steps 2—5** to install the driver side front Mounting Bracket and Support Bracket, **(Figures 17—19)**. **NOTE:** The (2) Driver side Brackets are identical.
13. Next, locate and remove the 3rd rubber plug along the body panel. Repeat this **Steps** to install the driver side rear Bracket and Support Bracket, **(Figure 20)**.
14. Select the driver/left Running Board. Repeat **Steps 6—11** to drill the pinch weld to install the Support Brackets and Running Board.
15. Check the driver/left Running Board for level then fully tighten all hardware.
16. Do periodic inspections to the installation to make sure that all hardware is secure and tight.

To protect your investment, wax this product after installing. Regular waxing is recommended to add a protective layer over the finish. Do not use any type of polish or wax that may contain abrasives that could damage the finish. Use Mild soap to clean the Running Board.

Passenger Side Installation Pictured

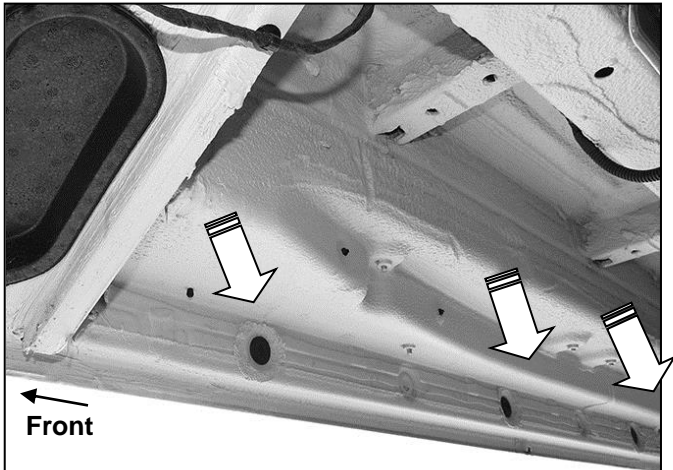


Passenger Side Installation Pictured

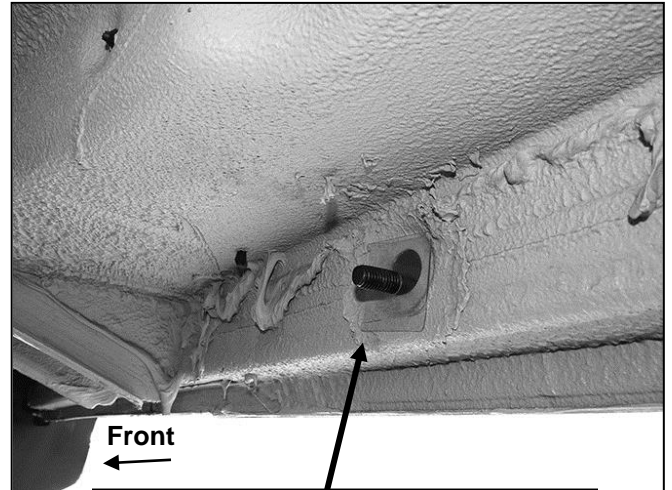


- (2) 8mm x 30mm Hex Bolts
- (4) 8mm Flat Washers
- (2) 8mm Lock Washers
- (2) 8mm Hex Nuts

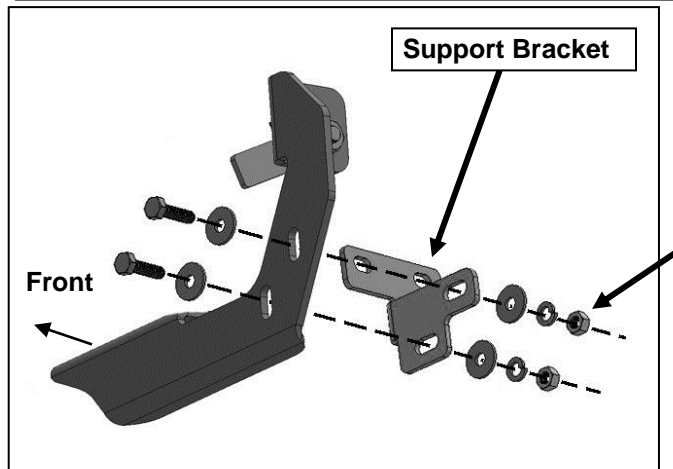
Passenger Side Installation Pictured



(Fig 7) #2, #3 and rear mounting locations (arrows)

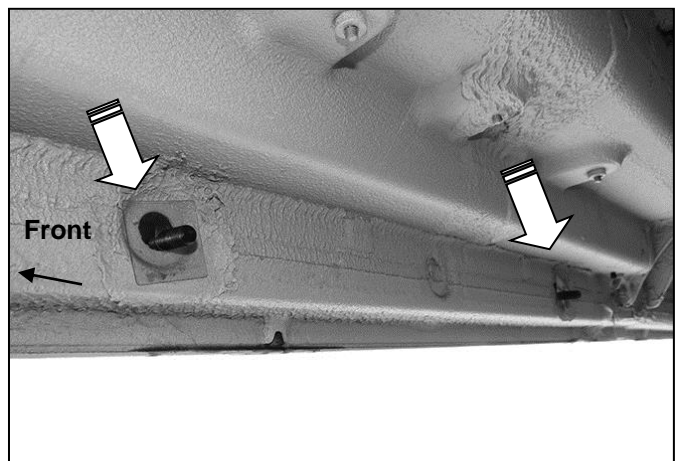


(Fig 8) Bolt Plate with Plastic Retainer installed in #2 mounting location

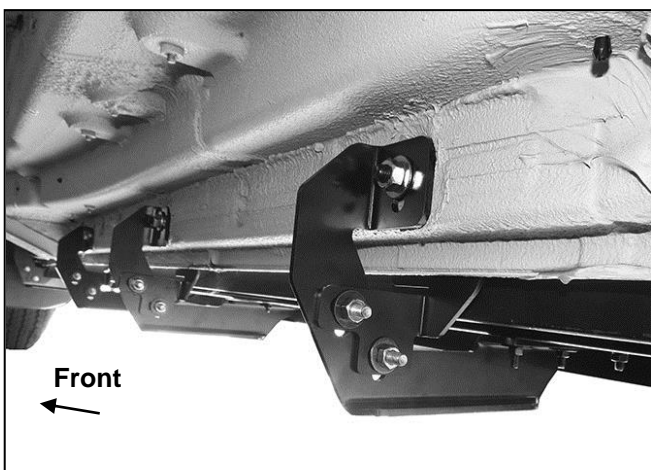


- (2) 8mm x 30mm Hex Bolts
- (4) 8mm Flat Washers
- (2) 8mm Lock Washers
- (2) 8mm Hex Nuts

(Fig 9) Example of #2, #3 and rear Bracket installation

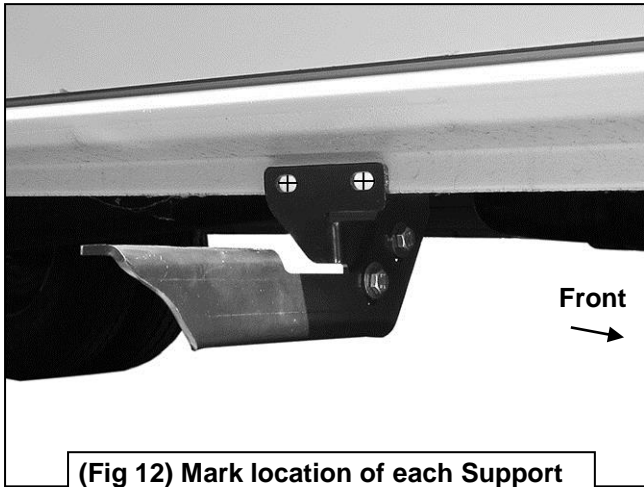


(Fig 10) Bolt Plates with Plastic Retainers installed in #3 and rear mounting locations (arrows)



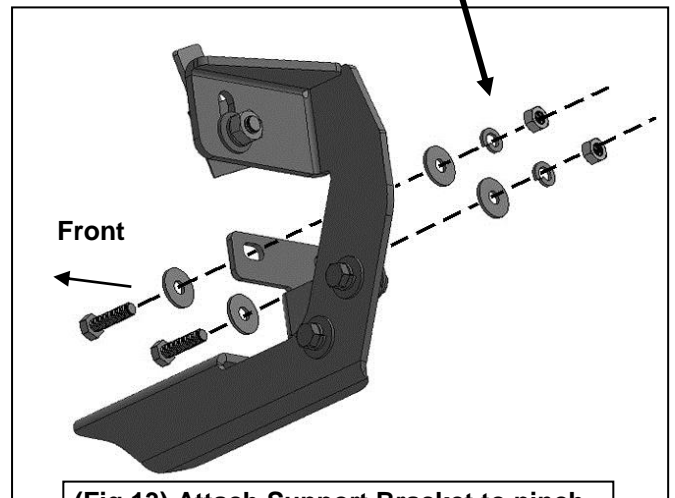
(Fig 11) Passenger side #2, #3 and rear Brackets

Passenger Side Installation Pictured



(Fig 12) Mark location of each Support Bracket onto pinch weld before drilling

- (2) 8mm x 30mm Hex Bolts
- (4) 8mm Flat Washers
- (2) 8mm Lock Washers
- (2) 8mm Hex Nuts

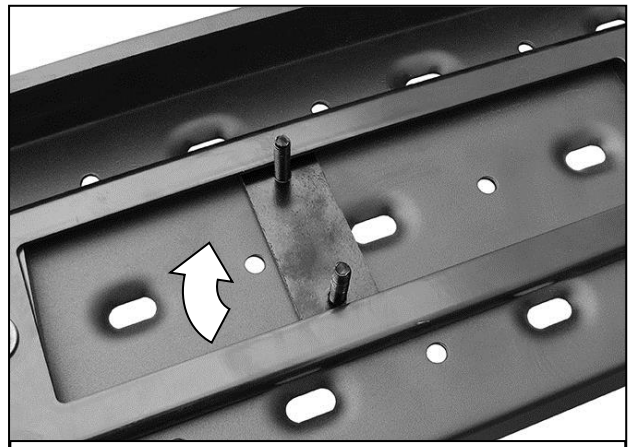


(Fig 13) Attach Support Bracket to pinch weld (passenger front Bracket illustrated)

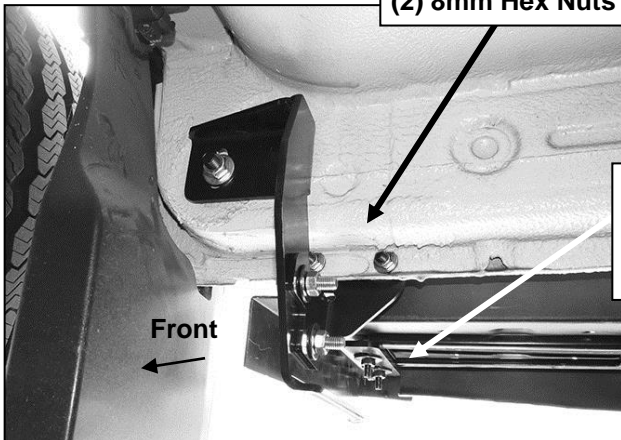


(Fig 14) Double Bolt Plate

- (2) 8mm x 30mm Hex Bolts
- (4) 8mm Flat Washers
- (2) 8mm Lock Washers
- (2) 8mm Hex Nuts



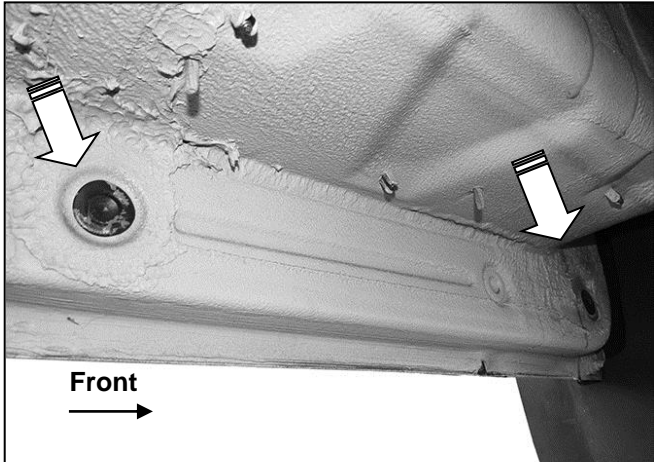
(Fig 15) Slide Double Bolt Plate into channels



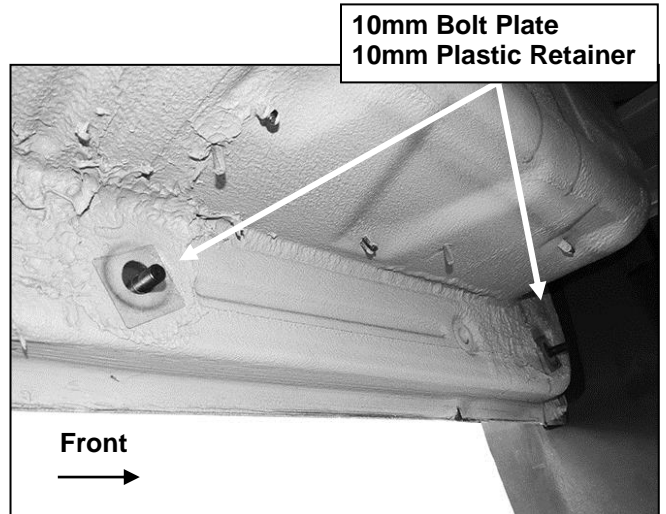
(Fig 16) Passenger side complete installation

- 6mm Double Bolt Plate
- (2) 6mm Flat Washers
- (2) 6mm Lock Washers
- (2) 6mm Hex Nuts

Driver Side Installation Pictured



(Fig 17) Driver/left side mounting locations (arrows)



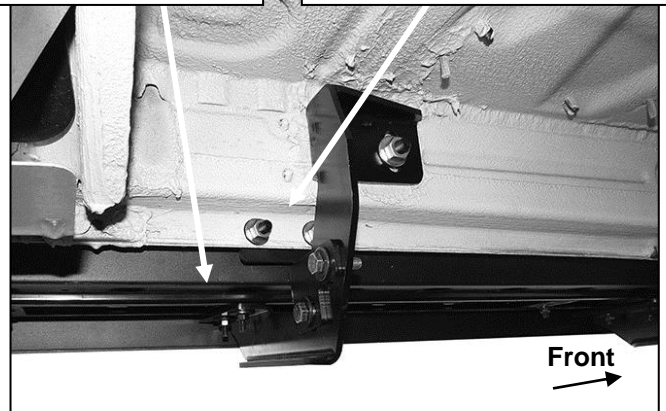
(Fig 18) Bolt Plates with Plastic Retainers installed in driver side front and rear mounting locations



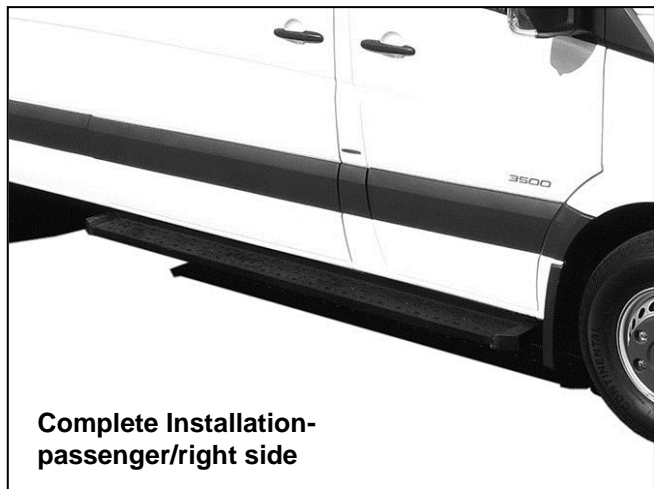
(Fig 19) Driver/left Front Bracket pictured (Note driver side front and rear Brackets are identical)

- 6mm Double Bolt Plate
- (2) 6mm Flat Washers
- (2) 6mm Lock Washers
- (2) 6mm Hex Nuts

- (2) 8mm x 30mm Hex Bolts
- (4) 8mm Flat Washers
- (2) 8mm Lock Washers
- (2) 8mm Hex Nuts



(Fig 20) Driver/left side rear Bracket installed



**Complete Installation-
passenger/right side**