



INSTALLATION INSTRUCTIONS

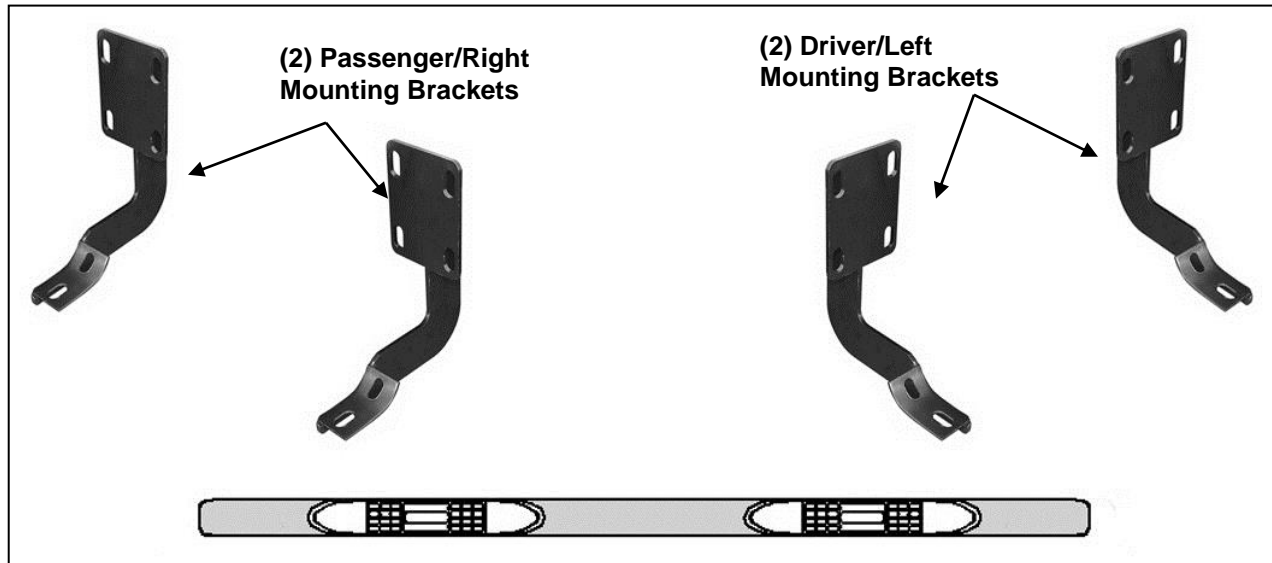
PART # RN-FOF2SD-91

CUTLASS RUNNING BOARDS

99-15 FORD F-250/450 SUPERDUTY SUPER CREW CAB

PARTS LIST:

2	Left or Right Sidebars	8	8mm Clip Nuts
2	Driver/Left Mounting Brackets	32	8mm ID x 24mm OD x 2mm Flat Washers
2	Passenger/Right Mounting Brackets	24	8mm Lock Washers
16	8-1.25mm x 30mm Hex Bolts	16	8mm Hex Nuts
8	8mm T-Bolts		



PROCEDURE:

- REMOVE CONTENTS FROM BOX. VERIFY ALL PARTS ARE PRESENT. READ INSTRUCTIONS CAREFULLY BEFORE STARTING INSTALLATION.**
- Starting on the passenger side-front of the vehicle, locate the 2nd set of factory holes in the body panel and pinch weld directly under the center of the front door, **(Figure 1)**. Each mounting location is comprised of a rectangular hole with a round hole on each side and two holes through the pinch weld, **(Figures 1 & 2)**.
- Select (2) 8mm Clip Nuts. Insert Clip Nuts one at a time into the rectangular opening and slide the threaded hole outward towards the round hole, **(Figure 2)**. Line up the threaded hole in the Clip with the round hole next to the rectangular opening. **NOTE:** Threaded nut must go towards the inside of the side panel, **(Figure 3)**.
- Partially attach the passenger side front Mounting Bracket to the Clip Nuts using the included (2) 8mm x 30mm Hex Bolts, (2) 8mm Lock Washers and (2) 8mm Flat Washers, **(Figure 4)**. **NOTE:** Cradles on the Mounting Brackets should face the front of the vehicle.
- Bolt the (2) bottom holes in the Mounting Bracket to the (2) holes in the pinch weld using the included (2) 8mm x 30mm Hex Bolts, (2) 8mm Lock Washers, (4) 8mm Flat Washers and (2) 8mm Hex Nuts, **(Figure 4)**. Do not tighten hardware at this time.
- Move to the last set of mounting holes at the back of the cab. Repeat **Steps 2—5** for rear passenger side rear Mounting Bracket installation.
- Select a Sidebar. **NOTE:** Uses the same Sidebar for either side of vehicle. Locate the opening in the end of the channels in the bottom of the Sidebar. Slide (2) 8mm T-Bolts into each channel, **(Figure 5)**. Carefully position the Sidebar onto the (2) Mounting Brackets. Lift the Sidebar up and slide the T-Bolts along the sidebar to match up with the Brackets. **IMPORTANT:** Do not slide, (front to back or rotate), the Sidebar on the Brackets or damage to the finish on the Sidebar may result.
- Line up the front of the Sidebar approximately 2" back, (or locate as desired), from the front wheel opening. Attach the Sidebar to the Mounting Brackets with (4) 8mm Flat Washers, (4) 8mm Lock Washers and (4) 8mm Hex Nuts, **(Figure 6)**. Do not tighten hardware at this time.
- Level and adjust the Sidebar and tighten all hardware.
- Repeat **Steps 2—9** for driver Sidebar installation.

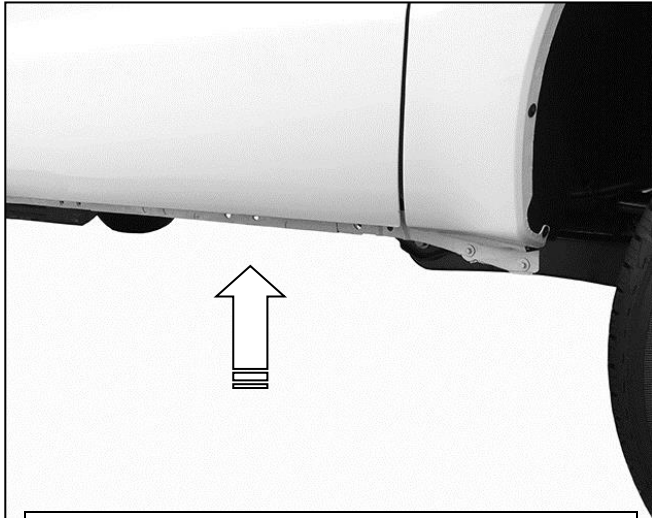
11. Do periodic inspections to the installation to make sure that all hardware is secure and tight.

To protect your investment, wax this product after installing. Regular waxing is recommended to add a protective layer over the finish. Do not use any type of polish or wax that may contain abrasives that could damage the finish.

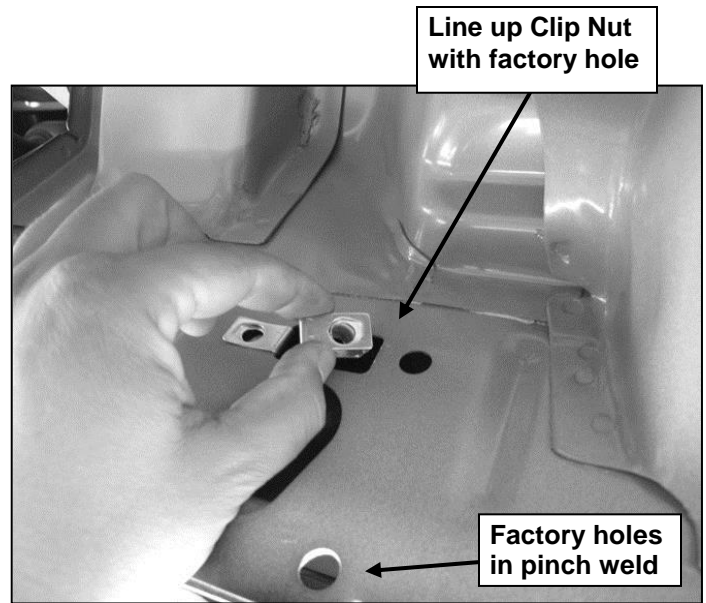
For stainless steel: Aluminum polish may be used to polish small scratches and scuffs on the finish. Mild soap may be used also to clean the Sidebar.

For gloss black finishes: Mild soap may be used to clean the Sidebar.

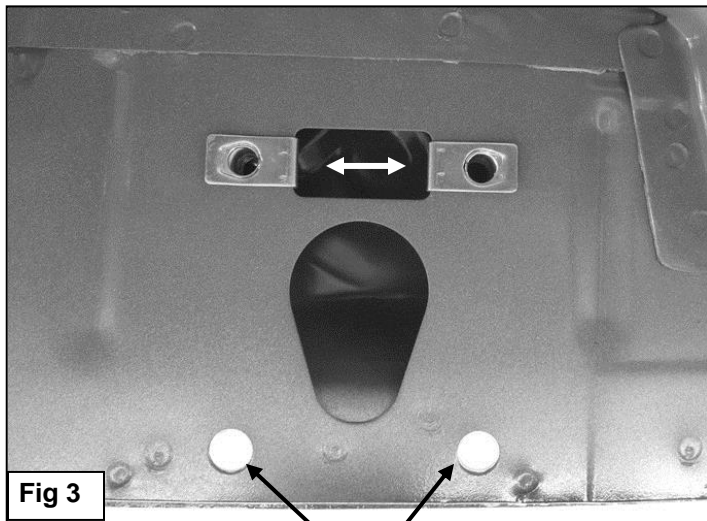
Passenger side installation pictured



(Fig 1) Bolt the front Bracket to the 2nd pair of factory holes in the bottom of the pinch weld

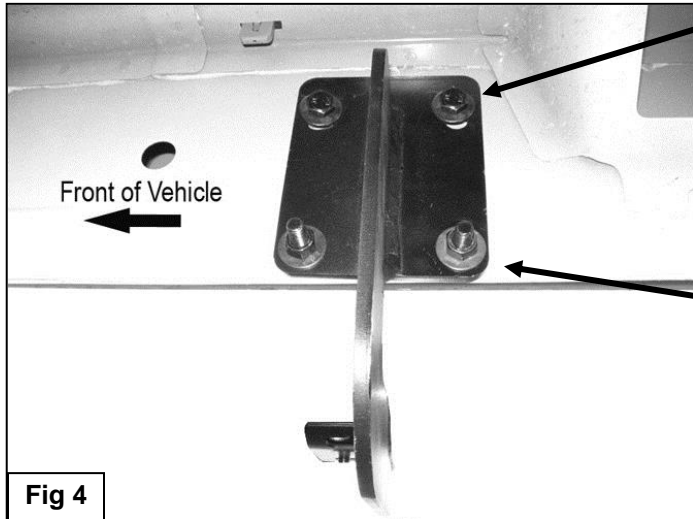


(Fig 2) Typical Mounting Location



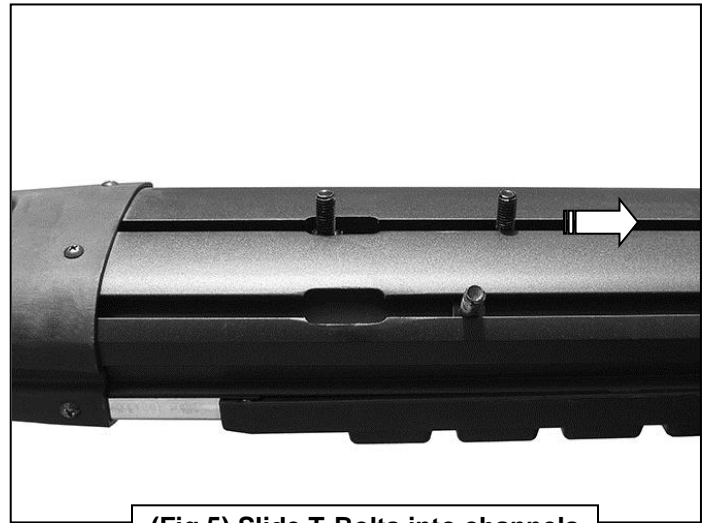
Factory holes in pinch weld

Passenger side installation pictured



8mm Clip Nut
8mm Hex Bolt
8mm Lock Washer
8mm Flat Washer

8mm Hex Bolt
(2) 8mm Flat Washers
8mm Lock Washer
8mm Hex Nut



(Fig 5) Slide T-Bolts into channels

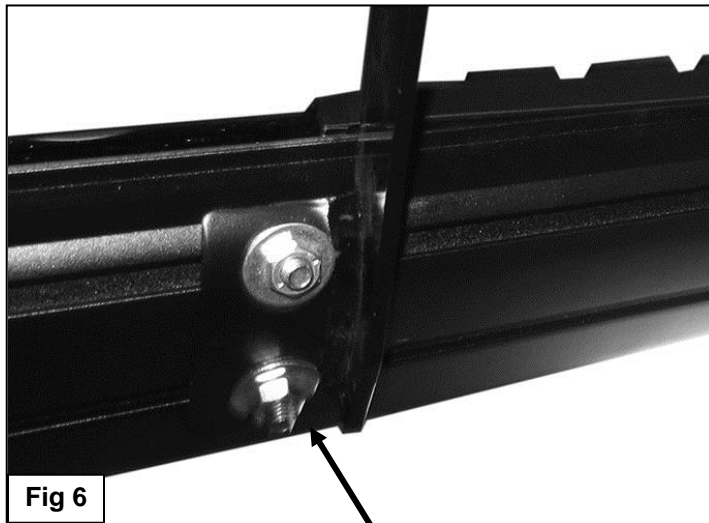


Fig 6

8mm T-Bolts
8mm Flat Washers
8mm Lock Washers
8mm Hex Nuts



Complete Installation