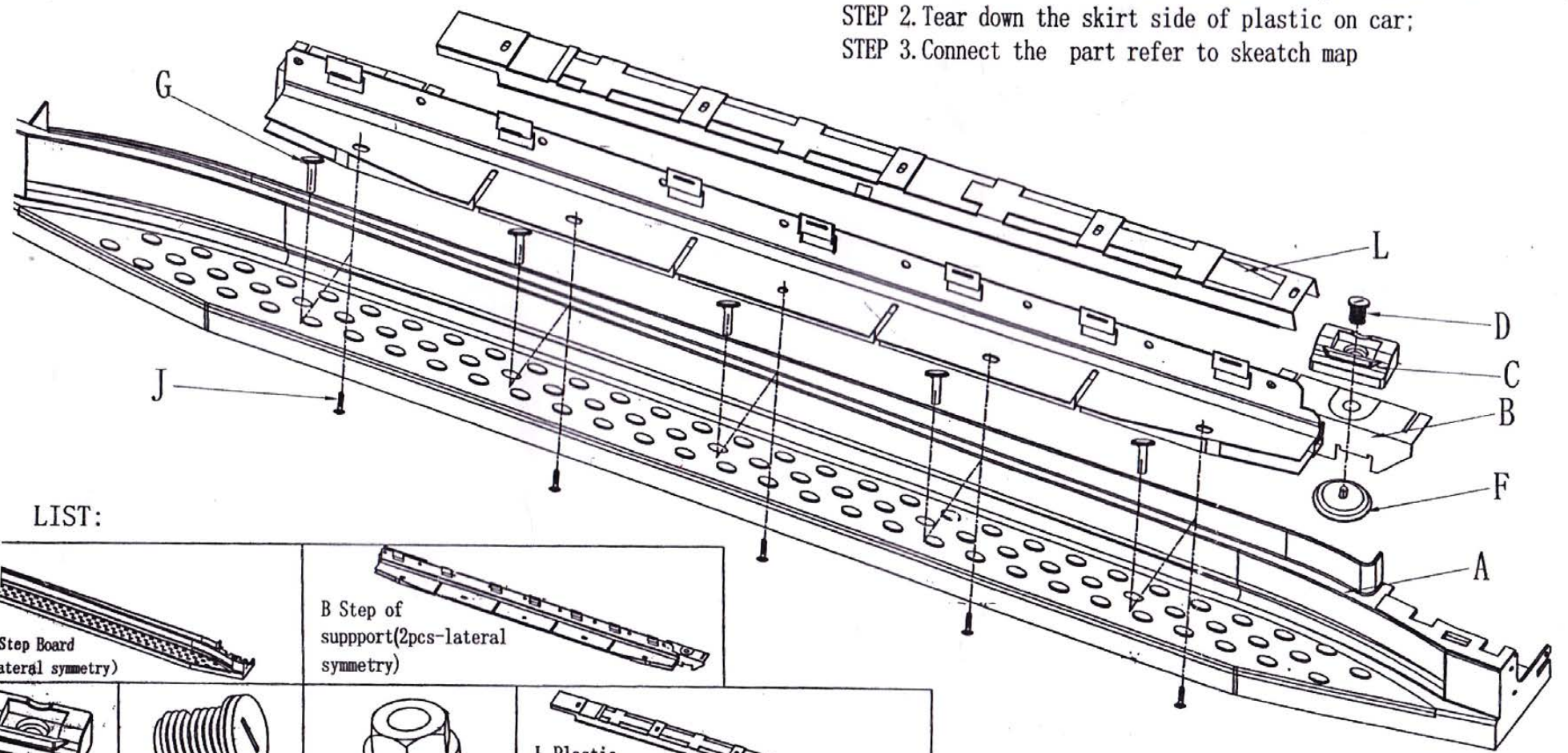


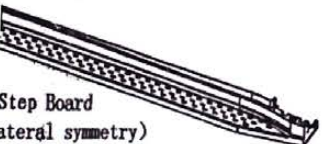
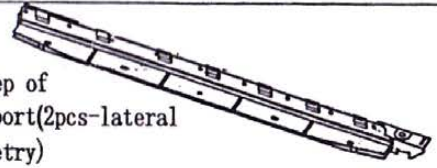
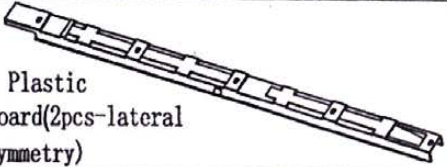





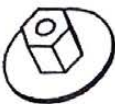
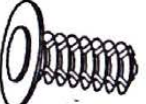


RMW164 Step Board Installation Instruction

INSTALLATION STEPS:

- STEP 1. Check the parts in the box carefully if match above list;
- STEP 2. Tear down the skirt side of plastic on car;
- STEP 3. Connect the part refer to skeatch map



LIST:

 Step Board lateral symmetry)	 B Step of support(2pcs-lateral symmetry)		 L Plastic board(2pcs-lateral symmetry)		
 stic (4pcs)	 D Plastic bolt(4pcs)	 E Nut M6(20pcs)			
 Hexagon(4pcs)	 G Ellipse tack(10pcs)	 H Hexagon (14pcs)	 I Clasp bolt(4pcs)	 J Self tapping M4*25(10pcs)	 K Clasp bolt (1pcs)