



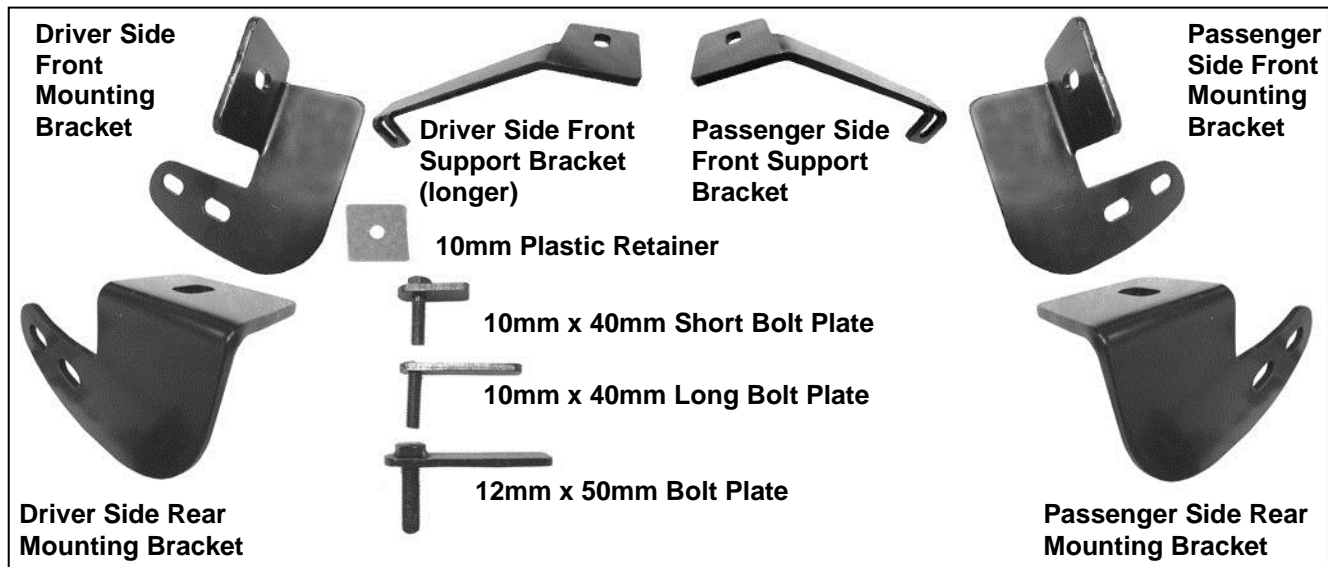
INSTALLATION INSTRUCTIONS

PART # 9LB07SS/9LB07A

**SIDE BAR FOR TOYOTA HIGHLANDER 01-07 LEXUS
RX330 04-07/RX400H 06-07**

PARTS LIST:

1	Driver/Left Sidebar	2	10-1.50mm x 40mm Long Bolt Plates
1	Passenger/Right Sidebar	2	10-1.50mm x 40mm Short Bolt Plates
1	Driver/Left Front Mounting Bracket	8	12-1.75mm x 40mm Hex Bolts
1	Passenger/Right Front Mounting Bracket	10	12mm Hex Nuts
1	Driver/Left Rear Mounting Bracket	18	12mm x 32mm OD x 3mm Flat Washers
1	Passenger/Right Rear Mounting Bracket	10	12mm Lock Washers
1	Driver/Left Front Support Bracket	4	10mm Hex Nuts
1	Passenger/Right Front Support Bracket	4	10mm x 30mm OD x 2.5mm Flat Washers
2	10mm Plastic Retainers	4	10mm Lock Washers
2	12-1.75mm x 50mm Bolt Plates		



PROCEDURE:

- 1. REMOVE CONTENTS FROM BOX. VERIFY ALL PARTS ARE PRESENT. READ INSTRUCTIONS CAREFULLY BEFORE STARTING INSTALLATION.**
- Before starting installation, locate (1) 10mm Plastic Retainer and (1) 10mm x 40mm Long Bolt Plate. Thread the Plastic Retainer part way onto the Bolt Plate, **(Figure 1A)**.
- From underneath the front of the driver side of the vehicle, insert (1) 10mm x 40mm Long Bolt Plate with Retainer into the factory hole on the side body panel, **(Figure 1B)**. **IMPORTANT!** The Plastic Retainer is designed to prevent the Bolt Plate from falling into the body cavity and to aid in mounting the Bracket.
- Carefully place the driver side front Mounting Bracket over the already inserted 10mm Long Bolt Plate and secure it using the included (1) 10mm Flat Washer, (1) 10mm Lock Washer and (1) 10mm Hex Nut, **(Figure 2)**. Do not tighten at this time.
- Locate the upper hole in the floor panel and insert (1) 10mm x 40mm Short Bolt Plate, **(Figure 3)**.
- Partially hang the driver side Front Support Bracket (Longer Bracket) from the 10mm Short Bolt Plate with (1) 10mm Flat Washer, (1) 10mm Lock Washer and (1) 10mm Hex Nut, **(Figure 4)**.
- Moving to the rear of the vehicle, insert (1) 12mm x 50mm Bolt Plate into factory oval hole in the floor panel, **(Figure 5)**. Rotate the Bolt Plate 90-degrees or until it stops spinning to properly support both sides of the flat surface on the Bolt Plate.
- Partially hang the driver side Rear Mounting Bracket from the previously inserted 12mm Bolt Plate using the included (1) 12mm Flat Washer, (1) 12mm Lock Washer and (1) 12mm Hex Nut, **(Figure 6)**. Do not tighten at this time.

9. Carefully place the Driver Sidebar up to the inside of both Mounting Brackets. Align the mounting holes in the brackets with the holes on the sidebar. Attach Sidebar to Mounting Brackets using the included (4) 12mm x 40mm Hex Head Bolts, (8) 12mm Flat Washers, (4) 12mm Lock Washers and (4) 12mm Hex Nuts, **(Figure 4 & 6)**. **NOTE:** Insert the front inner Hex Bolt with Flat Washer through the front Mounting Bracket, Sidebar and Support Bracket. Snug but do not tighten hardware at this time.
10. Level and align Sidebar and tighten all hardware.
11. Repeat steps 2 -10 for Passenger Sidebar
12. Do periodic inspections of the installation to make sure that all hardware is secure and tight.

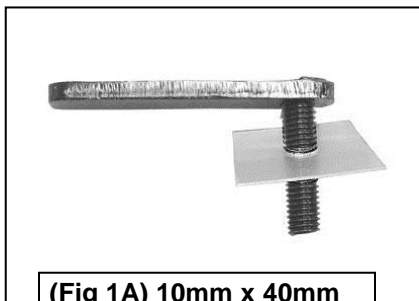
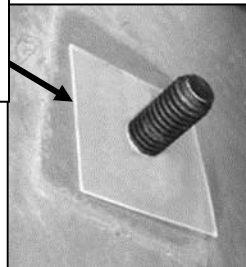
To protect your investment, wax this product after installing. Regular waxing is recommended to add a protective layer over the finish. Do not use any type of polish or wax that may contain abrasives that could damage the finish.

For stainless steel: Aluminum polish may be used to polish small scratches and scuffs on the finish. Mild soap may be used also to clean the Sidebar.

For gloss black finishes: Mild soap may be used to clean the Sidebar.

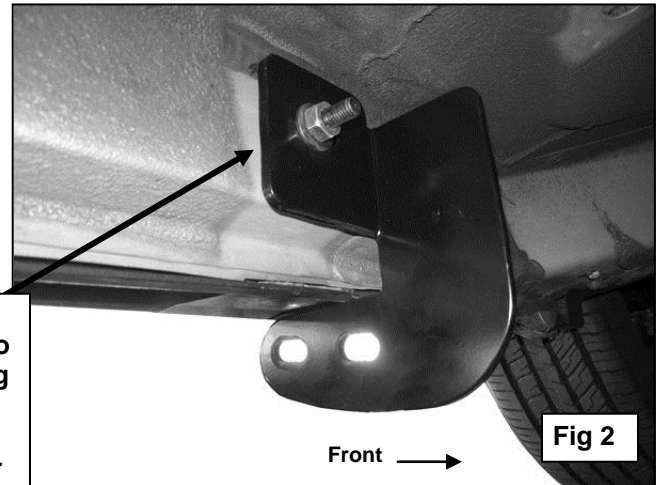
DRIVER SIDE INSTALLATION PICTURED

(Fig 1B) Once inserted, thread Plastic Retainer down until flush with body panel



(Fig 1A) 10mm x 40mm Long Bolt Plate with 10mm Plastic Retainer

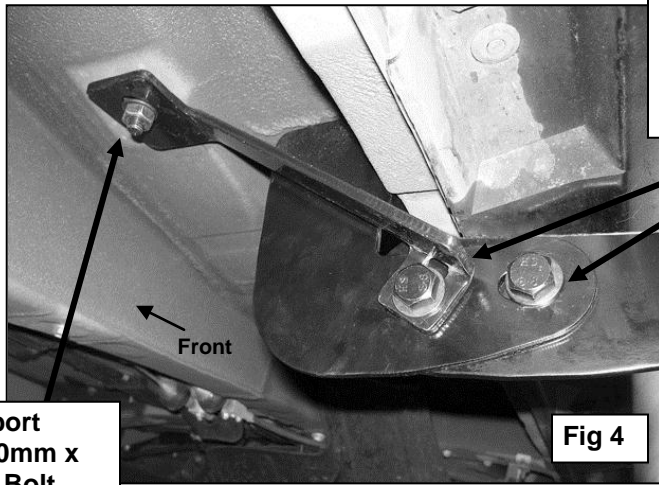
Secure Front Mounting Bracket to 10mm x 40mm Long Bolt Plate with:
10mm Flat Washer
10mm Lock Washer
10mm Hex Nut



Driver Side Front Mounting Bracket Pictured

10mm x 40mm Short Bolt Plate





12mm x 40mm Hex Bolt
(2) 12mm Flat Washers
12mm Lock Washer
12mm Hex Nut

Secure Support
Bracket to 10mm x
40mm Short Bolt
Plate with:
10mm Flat Washer
10mm Lock Washer
10mm Hex Nut

Fig 4

12mm x 50mm Bolt Plate
Insert into oval hole and rotate
90-degrees or until it stops

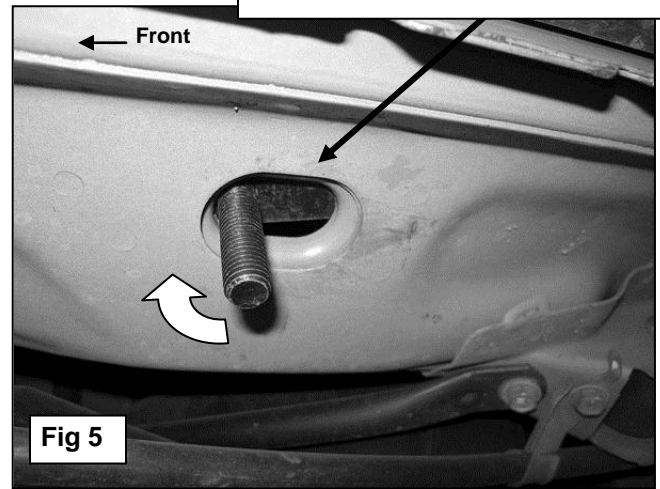


Fig 5

12mm x 50mm Bolt Plate
secured with:
12mm Flat Washers
12mm Lock Washer
12mm Hex Nut

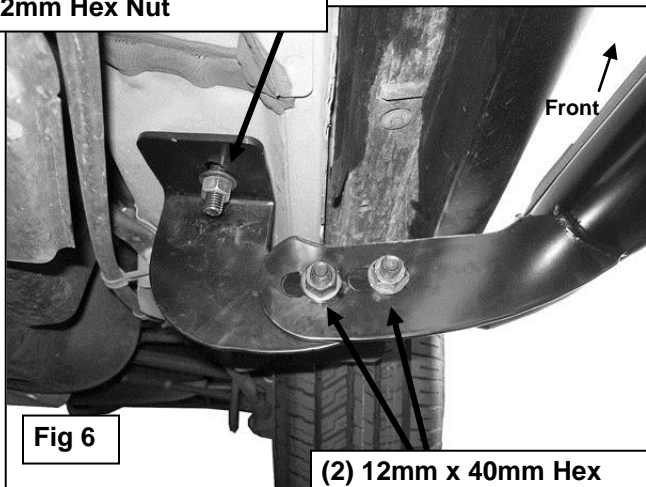


Fig 6

(2) 12mm x 40mm Hex
Bolts
(4) 12mm Flat Washers
(2) 12mm Lock Washers
(2) 12mm Hex Nuts

Driver Side Rear Mounting Bracket Pictured



Complete Installation (Lexus RX330)