

INSTALLATION INSTRUCTION

VORTEX Running Boards

2020 Jeep Gladiator

Part # VO-J479



**BLACK HORSE
OFF ROAD**

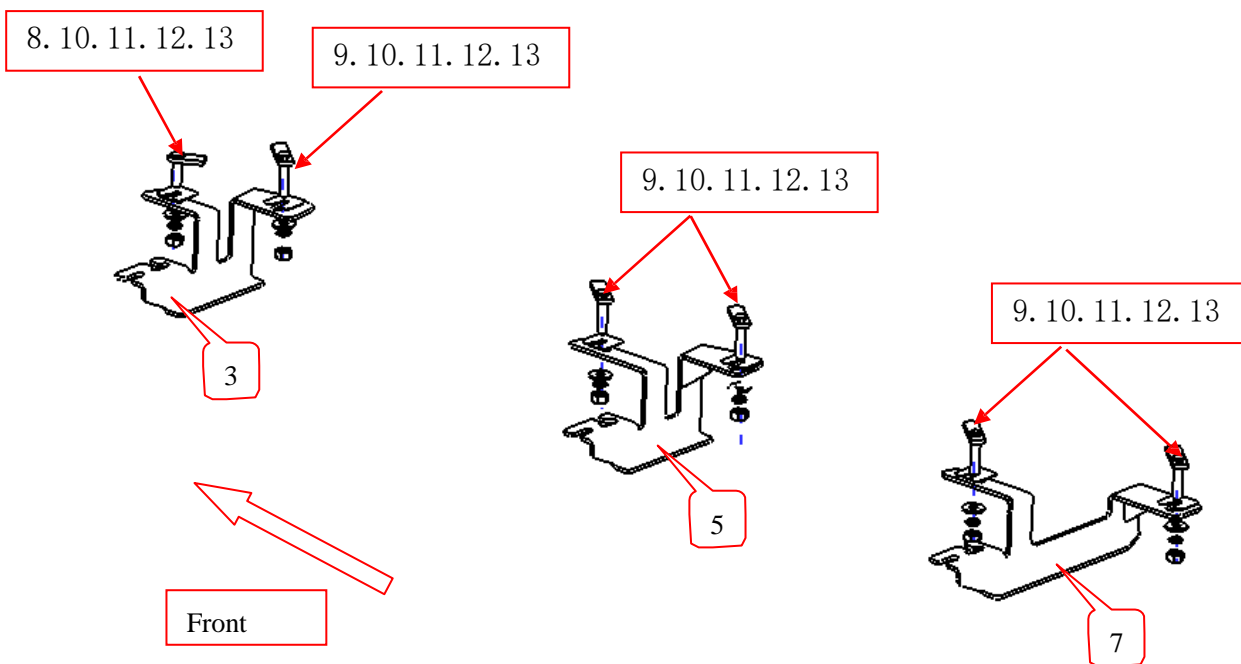
Attention:

- Please read this installation menu before installing this part. Protect your car properly in case there is any scratch might happen.
- You may need to periodically to re-tighten all hardware for safety use after installation.
- Installation pictures are only for your reference, there might be some differences between pictures and real parts but no effect for your fitting.

PART LIST

NO.	NAME	QTY	REMARK	NO.	NAME	QTY	REMARK
1	F1 running board	1	70inch	8	T-Bolt 3	2	M10X35
2	Front Bracket (right)	1		9	T-Bolt 1	10	M10X50
3	Front Bracket (left)	1		10	PVC Fixture	12	Φ 10
4	Middle Bracket (right)	1		11	Large Washer	12	Φ 10x25x2.5
5	Middle Bracket (left)	1		12	Spring Washer	12	Φ 10
6	Rear Bracket (right)	1		13	Hexagon Nut	12	M10
7	Rear Bracket (left)	1					

INSTALLATION PICTURE

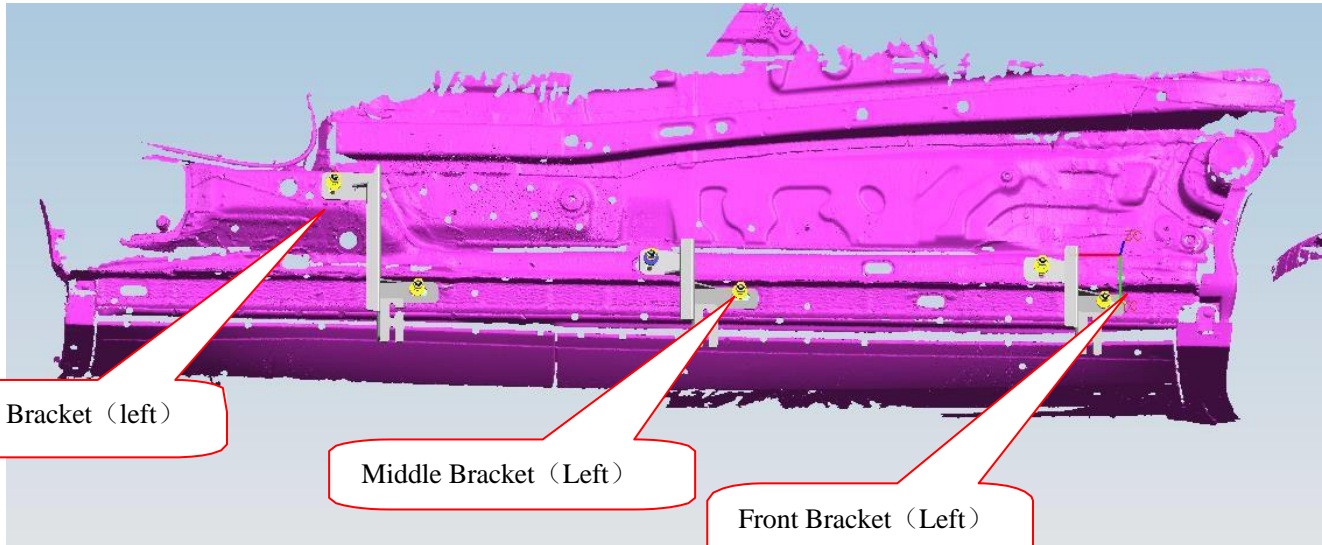
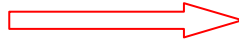


Installation Steps

Step 1: Refer to Part List to check if all hard ware are included.

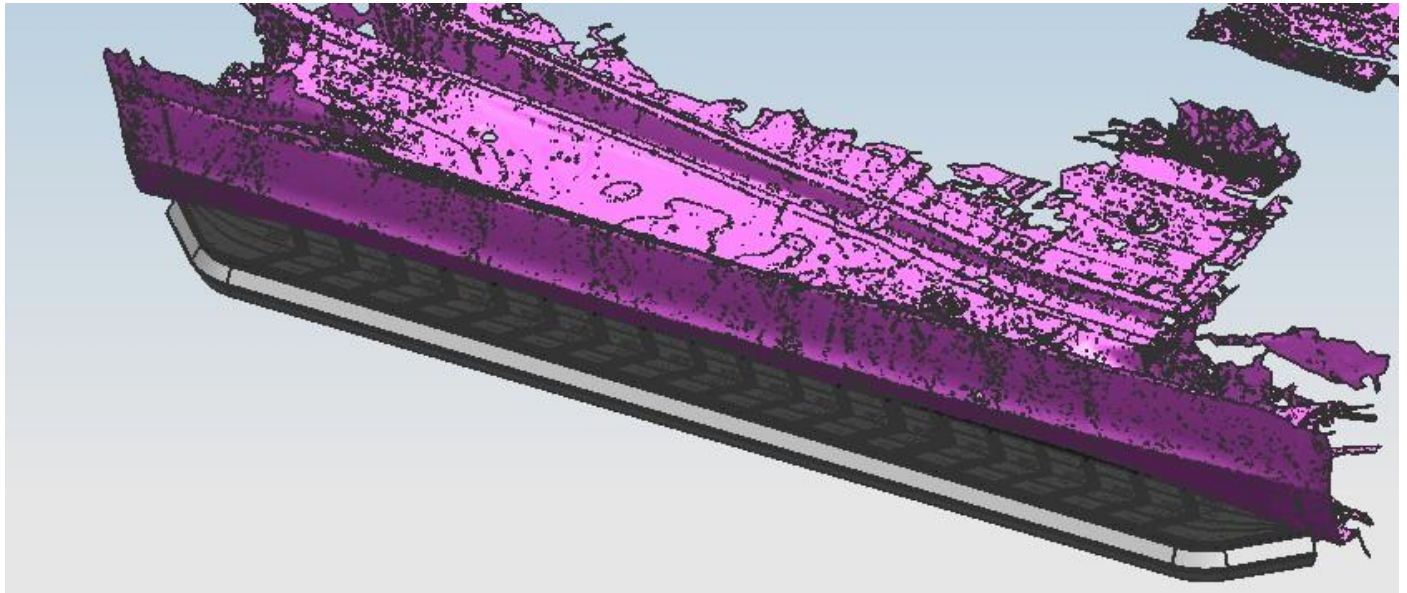
Step 2: Refer to the following picture to install the brackets.

Front direction



Step 3: Install the side bar on the brackets and then adjust them to the proper positions.

Step 4: Check if all hard ware are installed and then fasten all to complete the installation.



Disclaimer: Caused due to improper installation initiates or some related problem and losses, are beyond our company's quality assurance.