



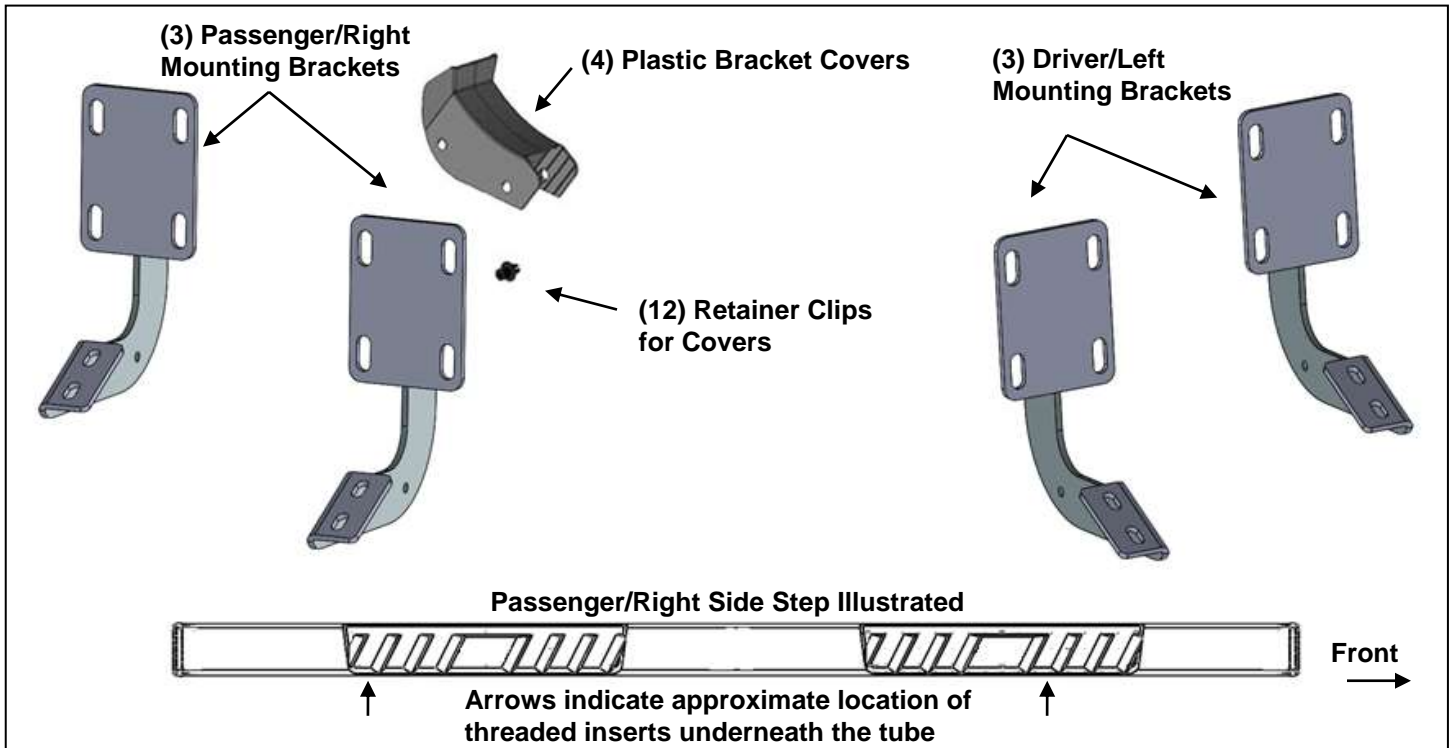
INSTALLATION INSTRUCTIONS

**Summit Running Boards for FORD F250/350/450/550 SUPER DUTY SUPER
CAB 99-16**

PART # SU-FO0376BK/SU-FO0376SS

PARTS LIST:

1	Driver/Left T4 Side Step	16	8-1.25mm x 30mm Hex Bolts
1	Passenger/Right T4 Side Step	24	8mm ID x 24mm OD x 2mm Flat Washers
2	Driver/Left Mounting Brackets	16	8mm Lock Washers
2	Passenger/Right Mounting Brackets	8	8mm Hex Nuts
8	8mm Clip Nuts	8	Retainer Clips
8	8mm x 25mm Combination Bolts	4	Plastic Covers



PROCEDURE:

- REMOVE CONTENTS FROM BOX. VERIFY ALL PARTS ARE PRESENT. READ INSTRUCTIONS CAREFULLY BEFORE STARTING INSTALLATION.**
- Starting on the passenger side-front of the vehicle, locate the 2nd set of factory holes in the body panel and pinch weld directly under the center of the front door, **(Figure 1)**. Each mounting location is comprised of a rectangular hole with a round hole on each side and two holes in pinch weld, **(Figures 2 & 3)**.
- Select (2) 8mm Clip Nuts. Insert Clip Nuts one at a time into the rectangular opening and slide the threaded hole outward towards the round hole. Line up the threaded hole in the Clip with the round hole next to the rectangular opening. **NOTE:** Threaded nut must go towards the inside of the side panel, **(Figures 2 & 3)**.
- Partially attach the passenger side front Mounting Bracket to the Clip Nuts using the included (2) 8mm x 30mm Hex Bolts, (2) 8mm Lock Washers and (2) 8mm Flat Washers, **(Figure 4)**. **NOTE:** Cradles on the Mounting Brackets should face the front of the vehicle.
- Bolt the (2) bottom holes in the Mounting Bracket to the (2) holes in the pinch weld using the included (2) 8mm x 30mm Hex Bolts, (4) 8mm Flat Washers, (2) 8mm Lock Washers and (2) 8mm Hex Nuts, **(Figure 4)**. Do not tighten hardware at this time.
- Repeat **Steps 2—5** for rear Mounting Bracket installation. **NOTE:** If you are not sure which sets of mounting holes to use, (last set along cab), hold the passenger/right Side Step up in the approximate location and line up the threaded inserts on the bottom of the Side Step with the holes in the pinch weld.
- Select (1) Plastic Bracket Cover and (2) Retaining Clips. Slide the Cover over the Mounting Bracket. Line up the (2) mounting holes in the Cover with the holes in the Mounting Bracket. Insert the Clip into

the holes and push center pin to expand Clip, **(Figure 5)**. Repeat this Step for all Cover installation for rear passenger side Bracket.

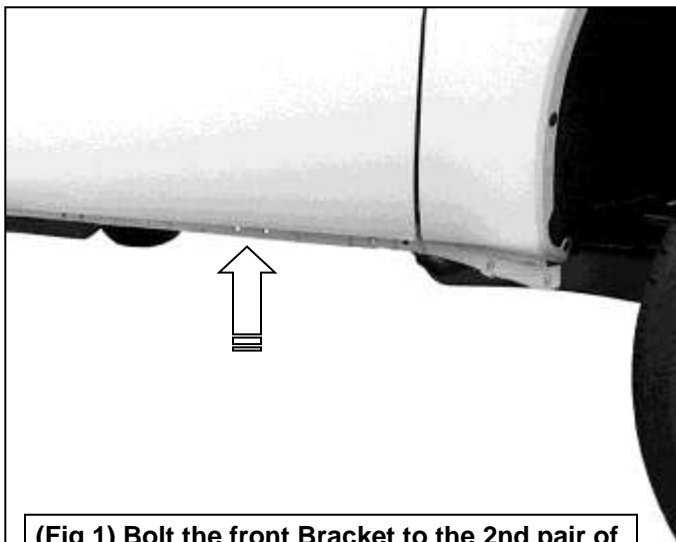
8. Carefully unwrap and position the Side Step onto the (2) Mounting Brackets. Bolt the Side Step to the Brackets with (4) 8mm x 25mm Combination Bolts, **(Figure 6)**. Do not tighten at this time.
9. Level and adjust Side Step properly and tighten all hardware.
10. Repeat **Steps 2—9** for driver/left Side Step installation.
11. Do periodic inspections to the installation to make sure that all hardware is secure and tight.

To protect your investment, wax this product after installing. Regular waxing is recommended to add a protective layer over the finish. Do not use any type of polish or wax that may contain abrasives that could damage the finish.

For stainless steel: Aluminum polish may be used to polish small scratches and scuffs on the finish. Mild soap may be used also to clean the Side Step.

For gloss black finishes: Mild soap may be used to clean the Side Step.

Passenger Side Installation Pictured



(Fig 1) Bolt the front Bracket to the 2nd pair of factory holes in the bottom of the pinch weld

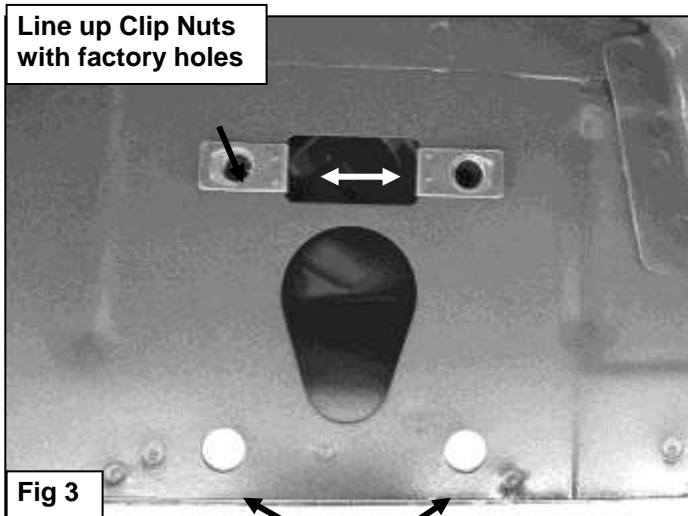
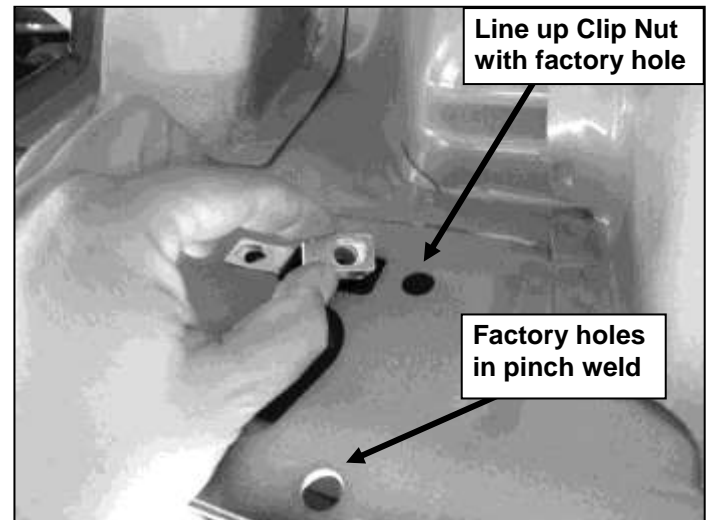


Fig 3

Factory holes in pinch weld pictured from behind body panel



(Fig 2) Typical Mounting Location

Passenger Side Installation Pictured

