

INSTALLATION INSTRUCTION

Premium Running Boards

2015–2017 Lexus NX200t

2018–2020 Lexus NX300

2015–2020 Lexus NX300h

PART # PR-LXNX



BLACK
HORSE OFF
ROAD

Attention:

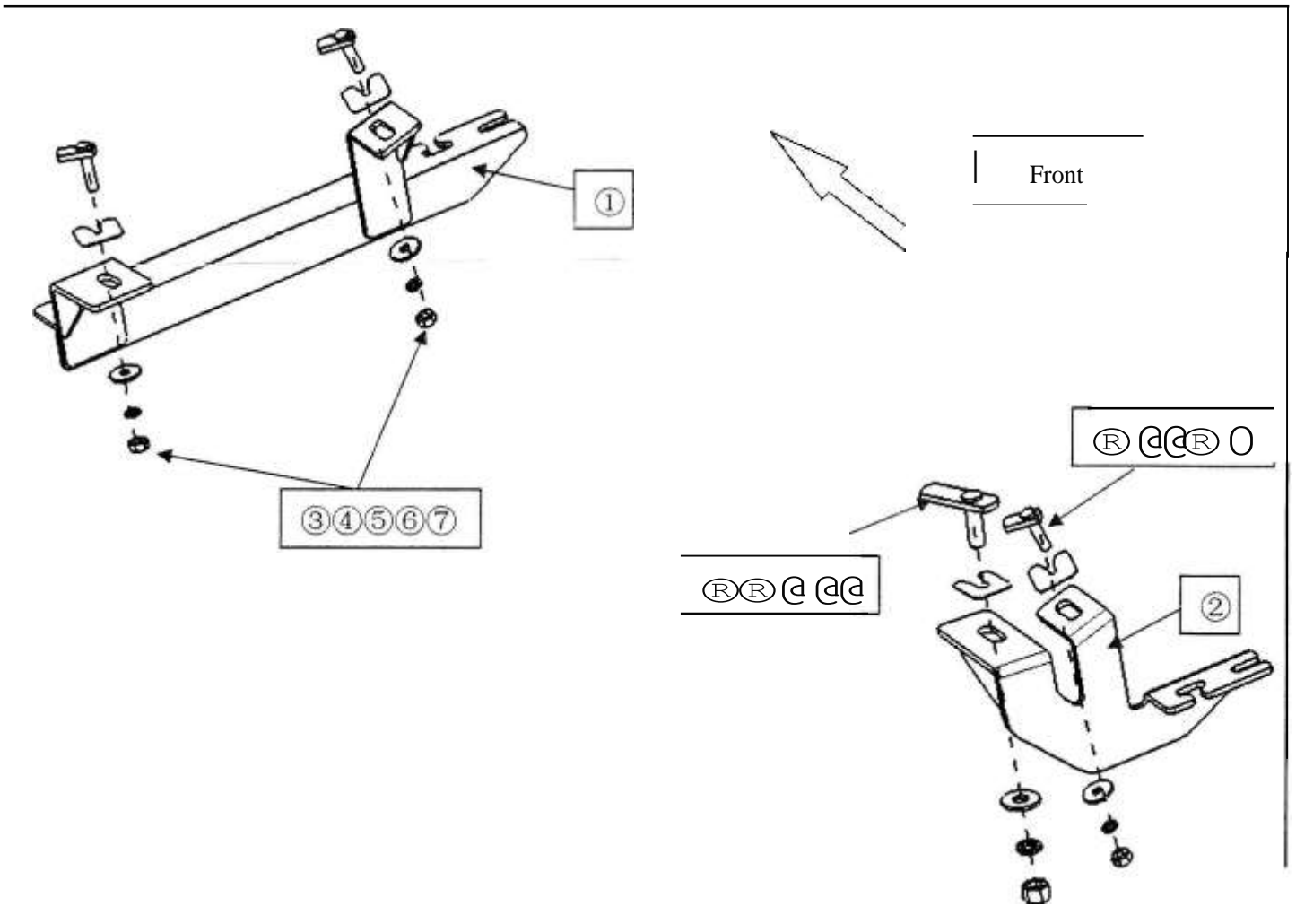
- Please read this installation menu before installing this part. Protect your car properly in case there is any scratch might happen.
- You may need to periodically re-tighten all hardware for safety use after installation.
- Installation pictures are only for your reference, there might be some differences between pictures and real parts but no effect for your fitting.

PART LIST

NO.	NAME	QTY	REMARK	NO.	NAME	QTY	REMARK
CD	Front Bracket	2		○	Hexagon Nut	6	M8
@	Rear Bracket	2		Ⓡ	T Bolt 2	2	67 *M12*40
Ⓡ	T Bolt 1	6	30*M8*40	Ⓡ	PVC Fixture	2	cp12 x 2
@	PVC Fixture	6	cp8 x 6	@)	Large Washer	2	cp12x30x3.0
@	Large Washer	6	cp8x25x2.0	Ⓡ	Spring Washer	2	cp12
Ⓡ	Spring Washer	6	cp8	@	Hexagon Nut	2	M12

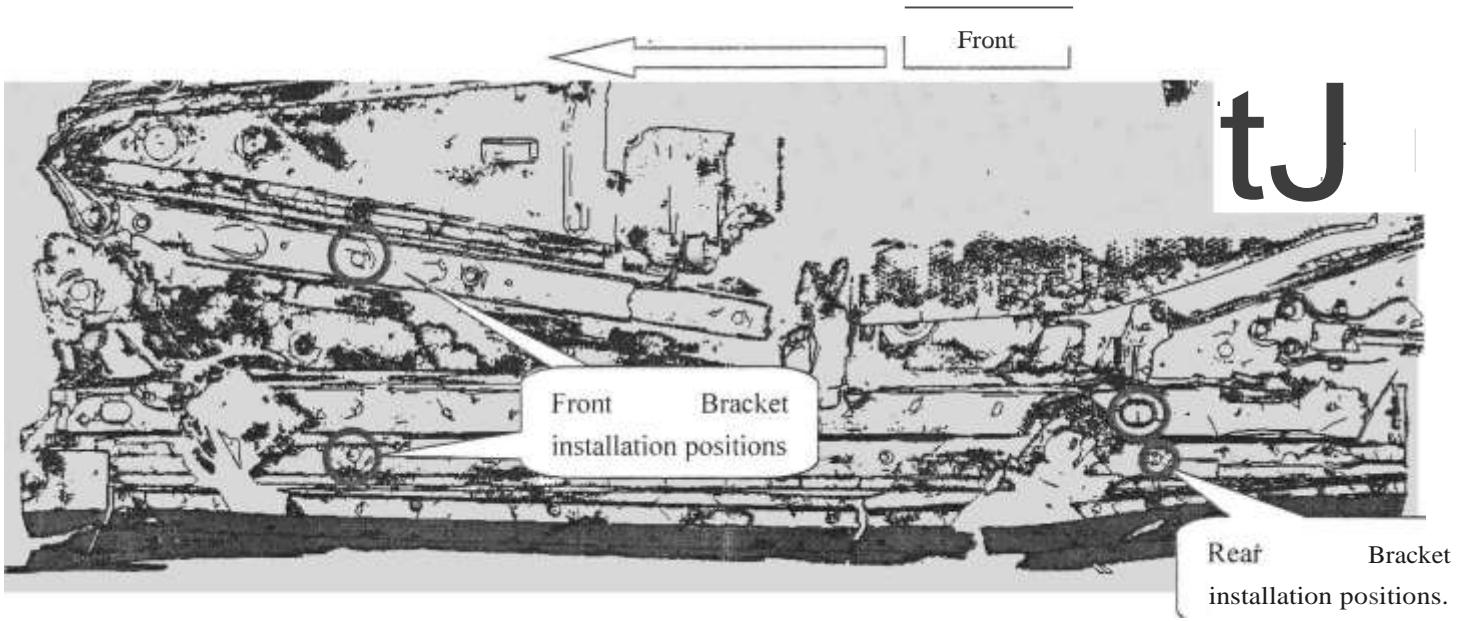
Note: It is the same way to install both sides.

INSTALLATION PICTURE



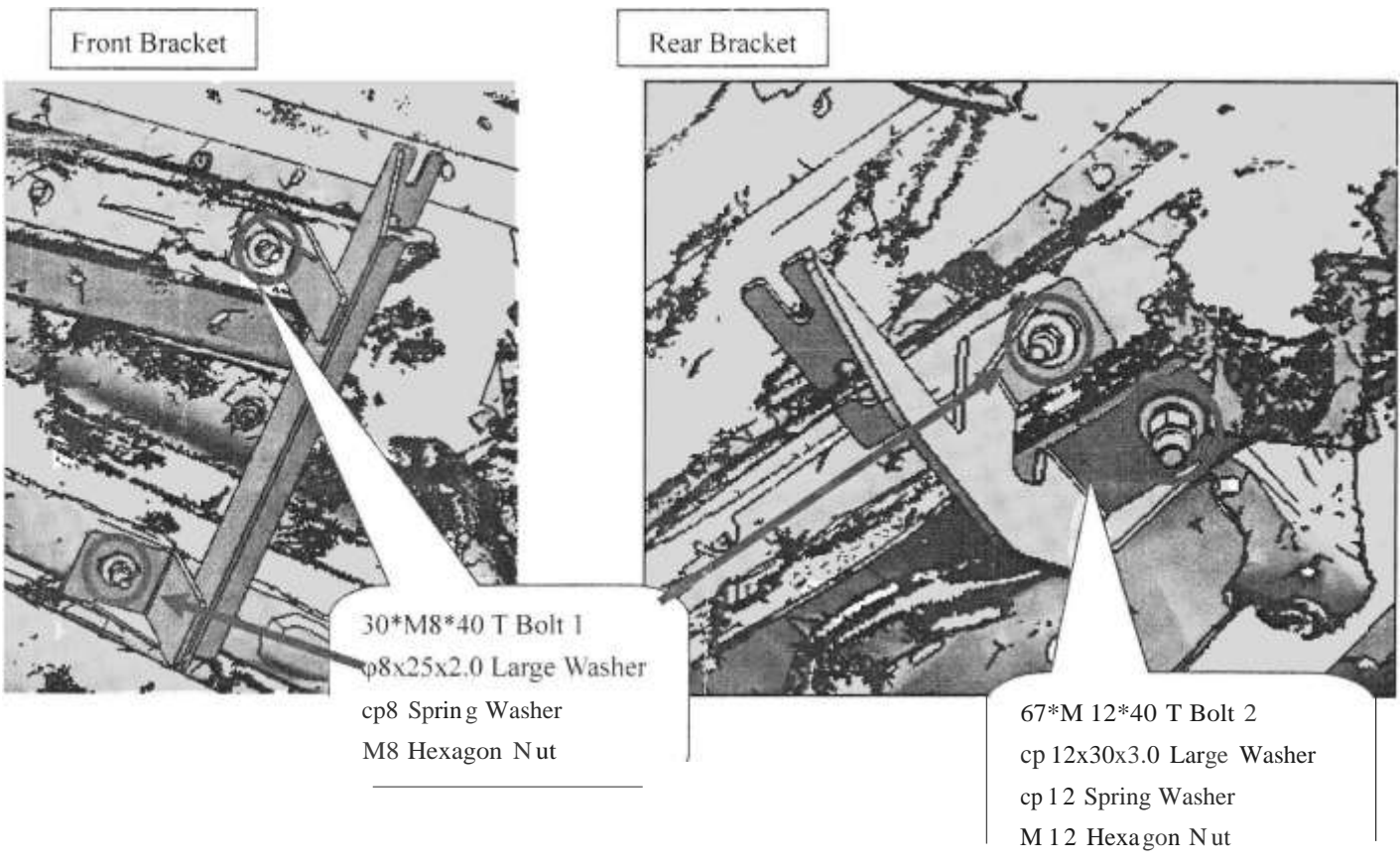
INSTALLATION PROCEDURES

Step 1 : Refer to Part List and Instalation Picture to check if all hard ware are included. Step 2: Refer to the following picture to install the front and rear brackets .



Step 3: Install the brackets on the relevant positions but do not fasten .

Step 4: Install the running board on the brackets and then adjust them to the proper positions.



Step 4: Check if all hardware are installed and then fasten all to complete the installation.

Disclaimer: Caused due to improper installation initiates some related problem and losses. are beyond our company's quality assurance.