



INSTALLATION INSTRUCTIONS

**Peerless Running Boards
FOR
2014- 2020 Jeep Cherokee**

Part Number: PR-JPCBKB

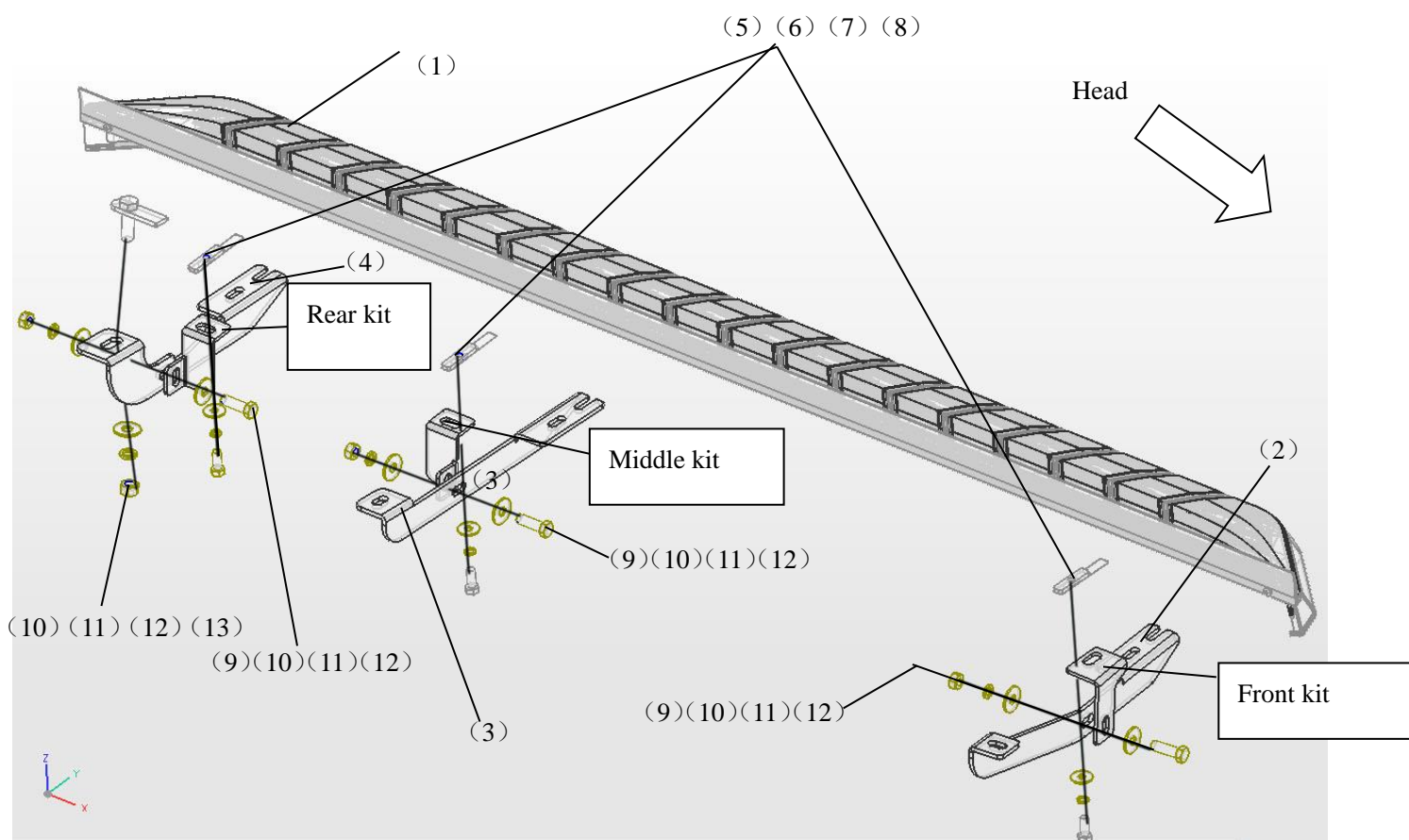
Attention:

- Please read this installation menu before installing this part. Protect your car properly in case there is any scratch might happen.
- You may need to periodically to re-tighten all hardware for safety use after installation.
- Installation pictures are only for your reference, there might be some differences between pictures and real parts but no affection for your fitting.

PART LIST

NO.	NAME	QTY	REMARK	NO.	NAME	QTY	REMARK
(1)	F1 Running Board	2		(8)	Nut Bar	6	
(2)	Front Bracket	2		(9)	Hexagon Head Screw	6	M10*35-8.8
(3)	Middle Bracket	2		(10)	Large Washer	14	Φ10*30*2.5
(4)	Rear Bracket	2		(11)	Spring Washer	8	Φ10
(5)	Hexagon Head Screw	6	M8*25-8.8	(12)	Hexagon Nut	8	M10-8.0
(6)	Large Washer	6	Φ8*25*2.0	(13)	T Bolt 6-3	2	
(7)	Spring Washer	6	Φ8				

INSTALLATION PICTURES



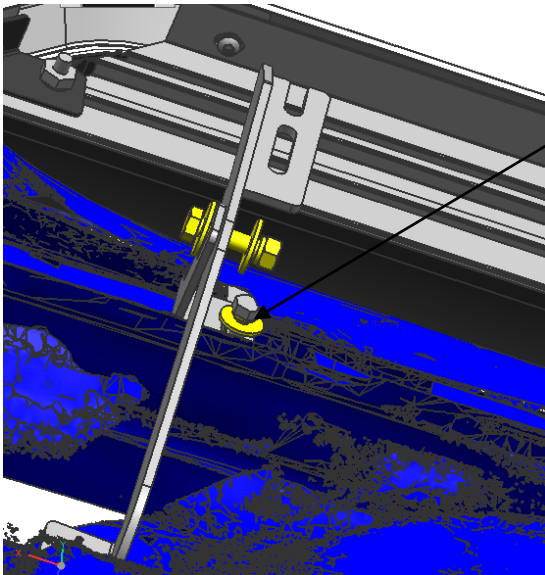
INSTALLATION PROCEDURES

Step 1: Refer to Part List to check if all hard ware are included.

Step 2: Refer to the print and installation pictures to distinguish the left and right bracket, and then put them with relevant hard ware.

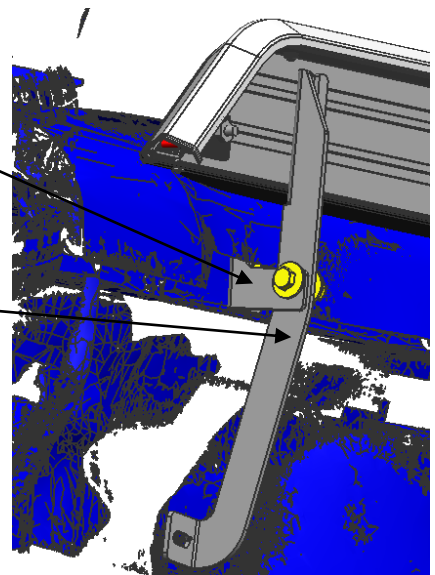


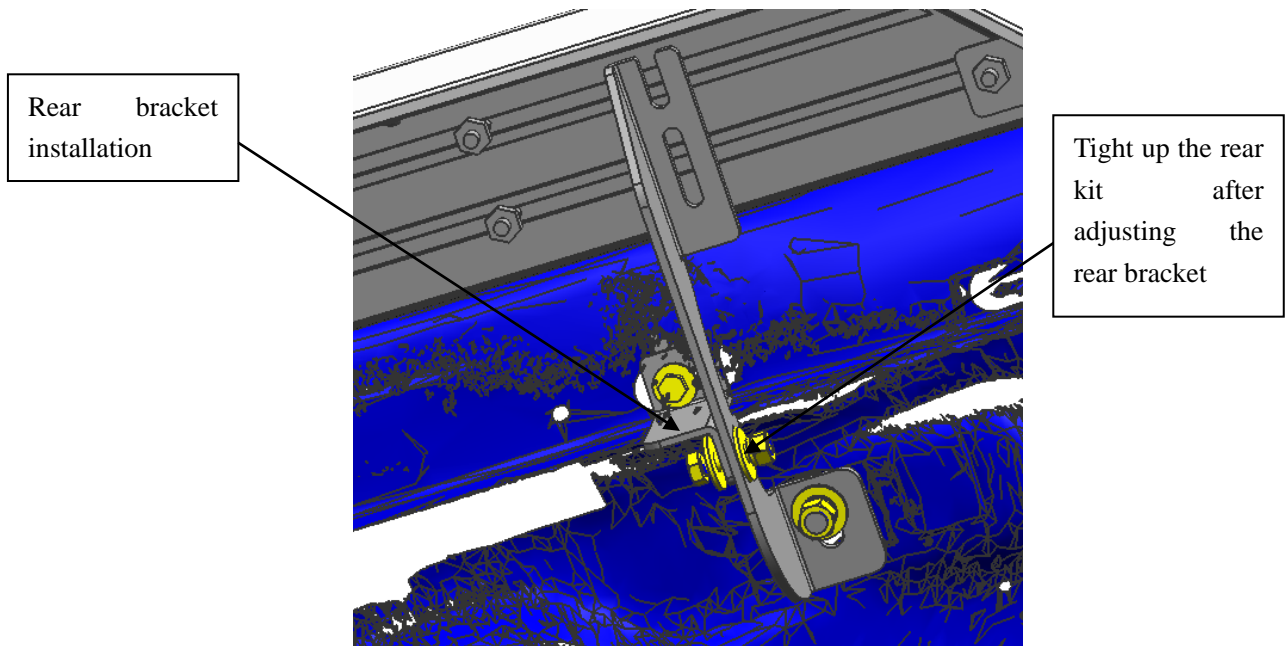
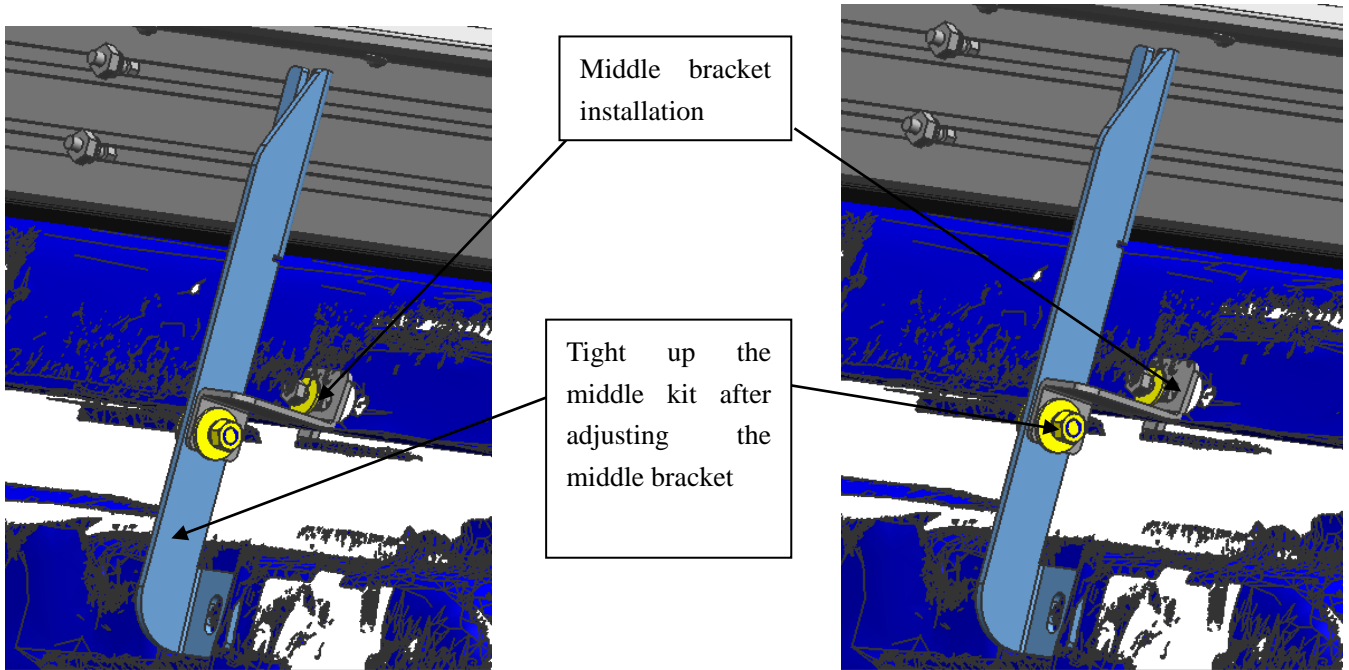
Remove the side protection part first.



Front bracket installation

Tight up the front kit after adjusting the front bracket





- Step 3: Re-install the side protection part, and tight up all hard ware.
- Step 4: Adjust the brackets properly for the installation of running board.

Disclaimer: Caused due to improper installation initiates or some related problem and losses, are beyond our company's quality assurance.