

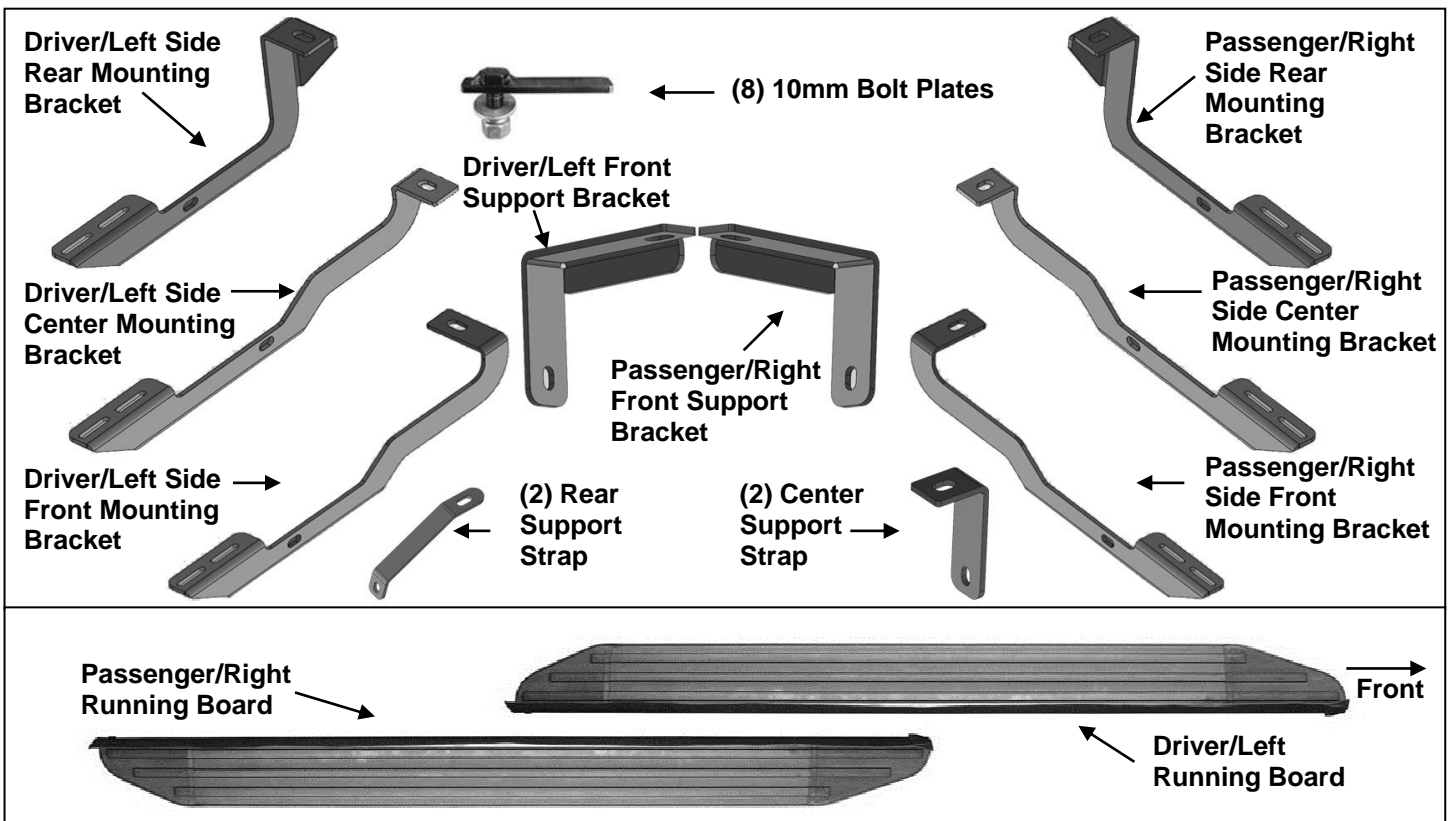


# **INSTALLATION INSTRUCTIONS**

**PREMIUM RUNNING BOARD  
BRACKETS FOR 2020 JEEP GLADIATOR  
PART # PR-J479**

**PARTS LIST:**

|   |   |    |                                    |
|---|---|----|------------------------------------|
| 1 | Driver/Left Running Board                     | 8  | 10-1.5mm x 25mm Single Bolt Plates |
| 1 | Passenger/Right Running Board                 | 8  | 10mm x 20mm OD x 2mm Flat Washers  |
| 1 | Driver/Left Front Frame Mounting Bracket      | 8  | 10mm Plastic Retainers             |
| 1 | Passenger/Right Frame Front Mounting Bracket  | 8  | 10-1.5mm Nylon Lock Nuts           |
| 1 | Driver/Left Center Frame Mounting Bracket     | 4  | 6-1.0mm x 25mm Hex Bolts           |
| 1 | Passenger/Right Center Frame Mounting Bracket | 16 | 6mm Lock Washers                   |
| 1 | Driver/Left Rear Frame Mounting Bracket       | 6  | 8-1.25mm x 25mm Hex Bolts          |
| 1 | Passenger/Right Rear Frame Mounting Bracket   | 12 | 8mm x 16mm OD x 2mm Flat Washers   |
| 1 | Driver/Left Front Support Bracket             | 6  | 8-1.25mm Lock Nuts                 |
| 1 | Passenger/Right Front Support Bracket         | 16 | 6mm x 22mm OD x 2mm Flat Washers   |
| 2 | Center Support Strap Brackets                 | 12 | 6-1.0mm Hex Nuts                   |
| 2 | Rear Support Strap Brackets                   | 12 | 6-1.0mm x 20mm T-Bolts             |



**PROCEDURE:**

- 1. REMOVE CONTENTS FROM BOX. VERIFY ALL PARTS ARE PRESENT. READ INSTRUCTIONS CAREFULLY BEFORE STARTING INSTALLATION. REQUIRES CUTTING.**
- Starting at the front passenger side of the vehicle, locate and remove the (1) factory round rubber plug in the bottom of the floor panel closest to the front tire opening and the (1) factory round rubber plug located in the bottom of the floor channel, **(Figure 1)**. Moving toward the center of the vehicle, remove the factory clips securing the plastic cover to the floor channel, **(Figure 2)**. Move along the vehicle to the rear mounting location, **(Figure 3)**. Remove the (2) round rubber plugs located in the frame channel and the floor panel, **(Figure 4)**.
- Select (2) 10mm Bolt Plates and (2) 10mm Plastic Retainers, **(Figure 5)**. Insert the Bolt Plates and thread the Plastic Retainers onto the Bolt Plates tight against the front frame channel and frame panel. Next, select the passenger side Front Bracket. Secure the Front Bracket to the frame channel Bolt Plate with (1) 10mm Flat Washer and (1) 10mm Nylon Lock Nut **(Figure 6)**.

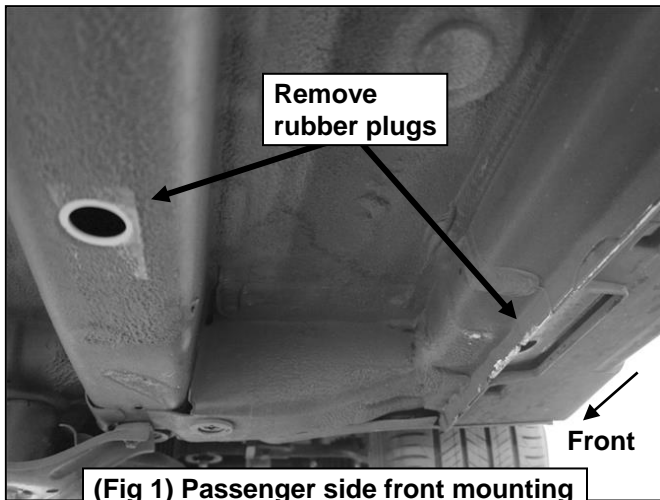
Snug but do not tighten. Select the passenger side Front Support Bracket and hang the Front Support Bracket to the frame panel Bolt Plate with (1) 10mm Flat Washer and (1) 10mm Nylon Lock Nut **(Figure 7)**. Snug but do not tighten.

4. Secure the Front Bracket to the Front Support Bracket with (1) 8mm Hex Bolt, (2) 8mm Flat Washers and (1) 8mm Nylon Lock Nut, **(Figure 7)**. Snug but do not tighten.
5. Moving toward the center of the vehicle, locate the (2) small 6mm holes in the floor panel and channel. **NOTE:** The 6mm holes may be covered by sealant from the factory. Use a small screwdriver to clean the sealant from the hole. Select the passenger side Center Mounting Bracket and attach the Bracket to the frame channel with (1) 6mm Hex Bolt, (2) 6mm Lock Washers and (1) 6mm Flat Washers. Hang the Center Support Strap to center frame panel with (1) 6mm Hex Bolt, (2) 6mm Flat Washers and (1) 6mm Nylon Lock Nut, **(Figure 8)**. Snug but do not tighten.
6. Secure the Center Bracket to the Center Support Strap with (1) 8mm Hex Bolt, (2) 8mm Flat Washers and (1) 8mm Nylon Lock Nut, **(Figure 8)**. Snug but do not tighten.
7. Move toward the rear mounting location. Select (2) 10mm Bolt Plates and (2) 10mm Plastic Retainers, **(Figure 5)**. Insert the Bolt Plates and thread the Plastic Retainers onto the Bolt Plates tight against the rear frame channel and frame panel. Next, select the passenger side Rear Bracket. Secure the Rear Bracket to the Bolt Plate with (1) 10mm Flat Washer and (1) 10mm Nylon Lock Nut **(Figure 10)**. Snug but do not tighten. Select the passenger side Rear Support Strap, **(Figure 9)**. Attach the Strap to the Bolt Plate with (1) 10mm Flat Washer and (1) 10mm Nylon Lock Nut **(Figure 11)**. **NOTE:** The longer end of the rear support strap mounts to the Bolt Plate. Snug but do not tighten.
8. Secure the Rear Bracket to the Rear Support Strap with (1) 8mm Hex Bolt, (2) 8mm Flat Washers and (1) 8mm Nylon Lock Nut, **(Figure 11)**. **NOTE:** All Frame Mounting Bracket cradles must be facing towards the rear of the vehicle, **(Figure 12)**. Snug but do not tighten.
9. Hold the plastic cover in place and mark the Center Bracket location onto the cover, **(Figure 13)**. Use a sharp knife or hacksaw blade to carefully cut a slot in the plastic cover to clear the Center Bracket. Make several small cuts for best fit. Remove as little plastic as possible.
10. Carefully un-wrap the Running Boards. From either open end, slide (3) T-Bolts, **(Figure 14)** into each channel in the bottom of the Running Board, **(Figure 15)**. Slide the T-Bolts forward or back to line up with the slots in the (3) previously installed Mounting Brackets. Hold the Running Board up to the vehicle at a slight angle and gently push it into position against the rocker panel. Loosen Brackets if necessary to slide Running Board into place.
11. Attach the Running Board to the (3) Mounting Brackets with the included (6) 6mm Flat Washers, (6) 6mm Lock Washers and (6) 6mm Hex Nuts, **(Figure 16)**. Do not tighten hardware at this time.
12. Check to see if the Running Board is level to the bottom of the car, front to rear, not level to the ground. Adjust the Brackets as necessary to line up Running Board with the side of vehicle.
13. Level and adjust Sidebar properly and tighten all hardware.
14. Repeat **Steps 3 - 11** for driver Running Board installation.
15. Do periodic inspections of the installation to make sure that all hardware is secure and tight.

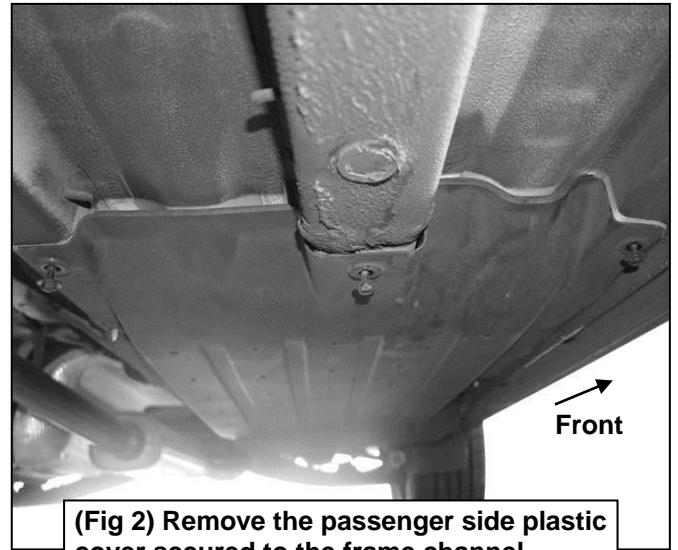
**To protect your investment**, wax this product after installing. Regular waxing is recommended to add a protective layer over the finish. Do not use any type of polish or wax that may contain abrasives that could damage the finish. Aluminum polish may be used to polish small scratches and scuffs on finish. Mild soap may also be used to clean Running Board.

**For gloss black finishes:** Mild soap may be used to clean the Running Board Brackets.

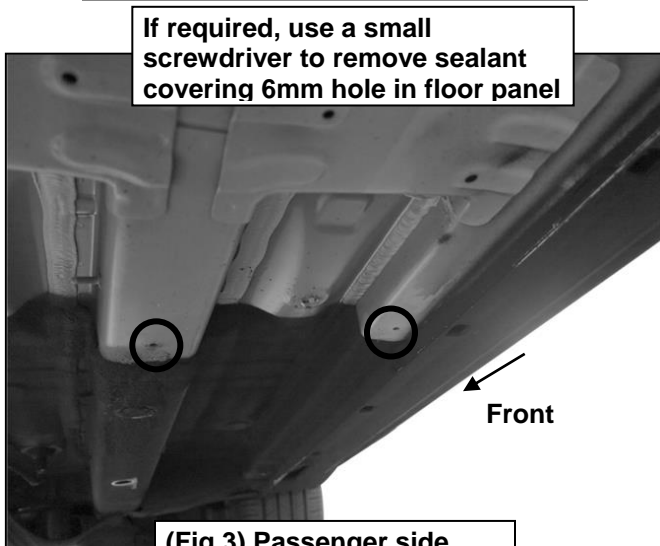
Passenger/Right Side Installation Pictured



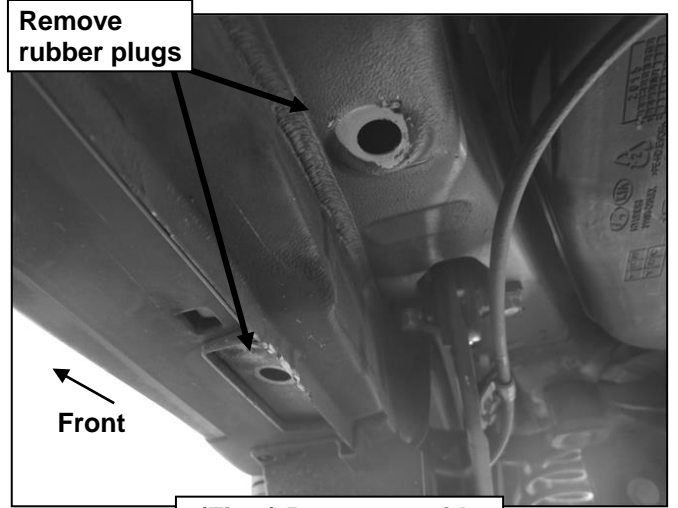
(Fig 1) Passenger side front mounting locations pictured from below



(Fig 2) Remove the passenger side plastic cover secured to the frame channel

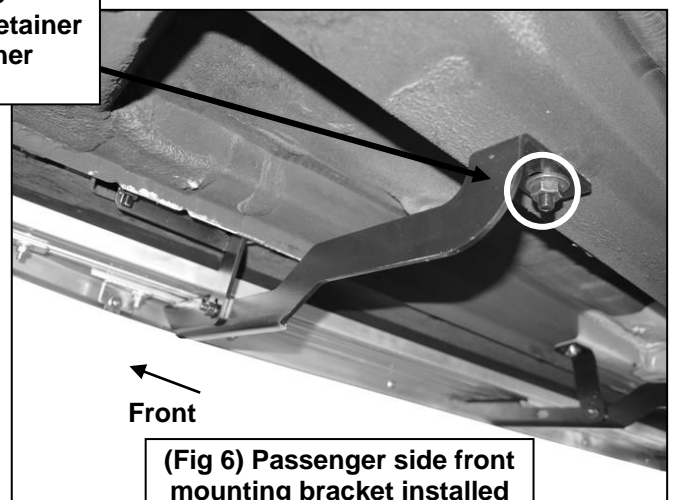


(Fig 3) Passenger side center mounting locations



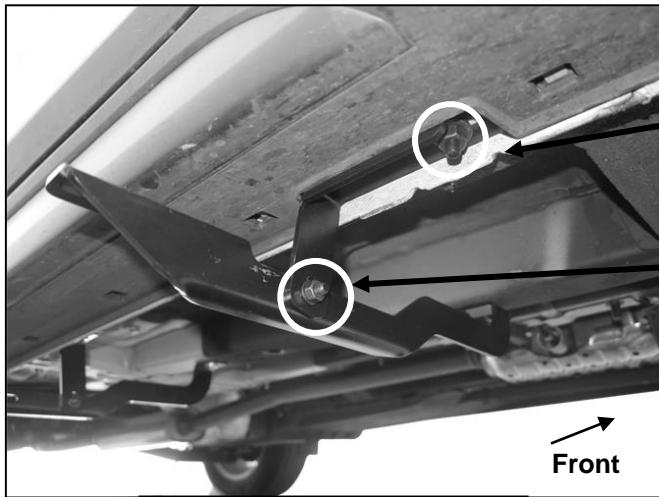
(Fig 4) Passenger side rear mounting locations

- 10mm Bolt Plate
- 10mm Plastic Retainer
- 10mm Flat Washer
- 10mm Lock Nut



(Fig 6) Passenger side front mounting bracket installed

Passenger/Right Side Installation Pictured

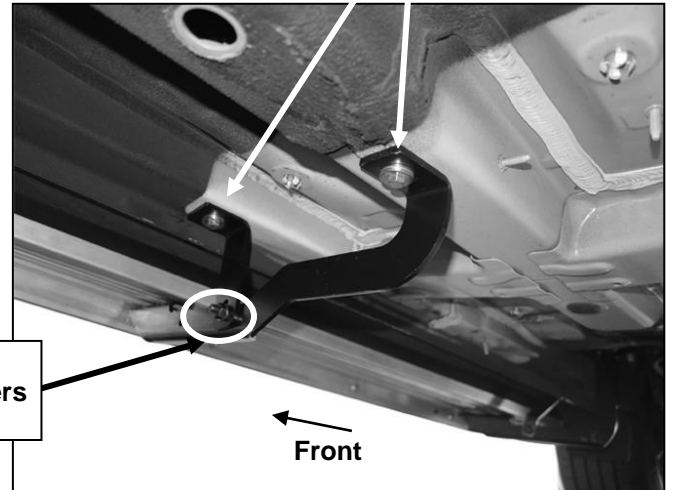


(Fig 7) Passenger side Front Support Bracket installed

10mm Bolt Plate  
10mm Plastic Retainer  
10mm Flat Washer  
10mm Lock Nut

8mm Hex Bolt  
(2) 8mm Flat Washers  
8mm Lock Nuts

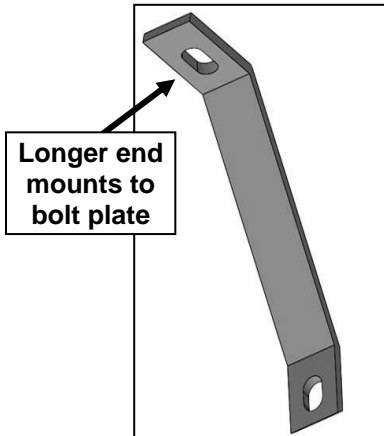
(2) 6mm Hex Bolts  
(2) 6mm Lock Washers  
(2) 6m Flat Washers



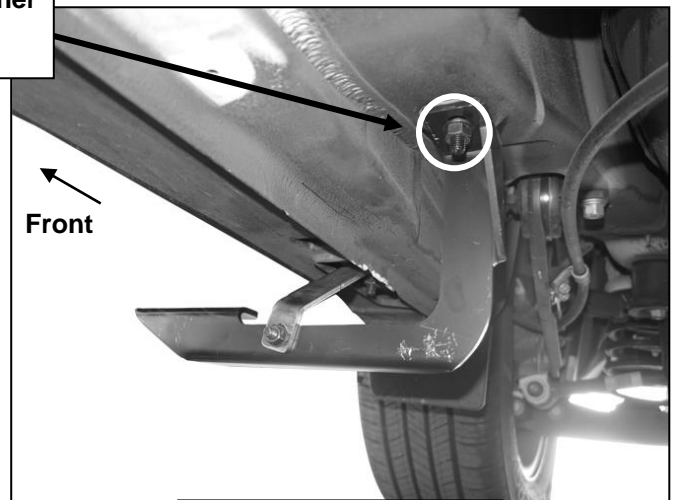
(Fig 8) Passenger side center mounting bracket and strap installed

8mm Hex Bolt  
(2) 8mm Flat Washers  
8mm Lock Nuts

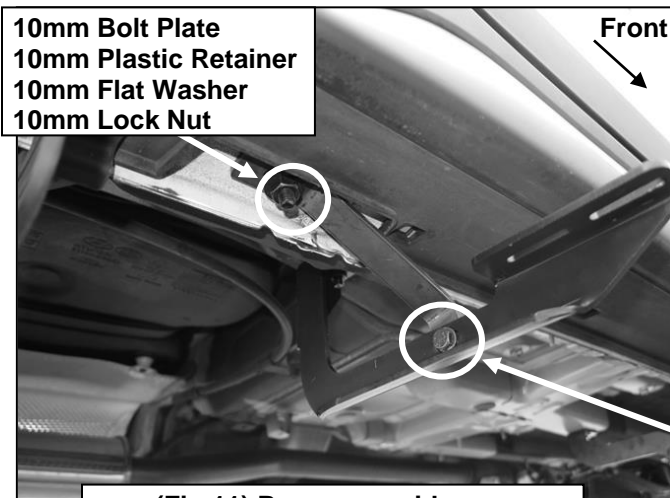
10mm Bolt Plate  
10mm Plastic Retainer  
10mm Flat Washer  
10mm Lock Nut



(Fig 9) Rear Mounting Strap



(Fig 10) Passenger side rear bracket installed



(Fig 11) Passenger side rear mounting strap and bracket installed

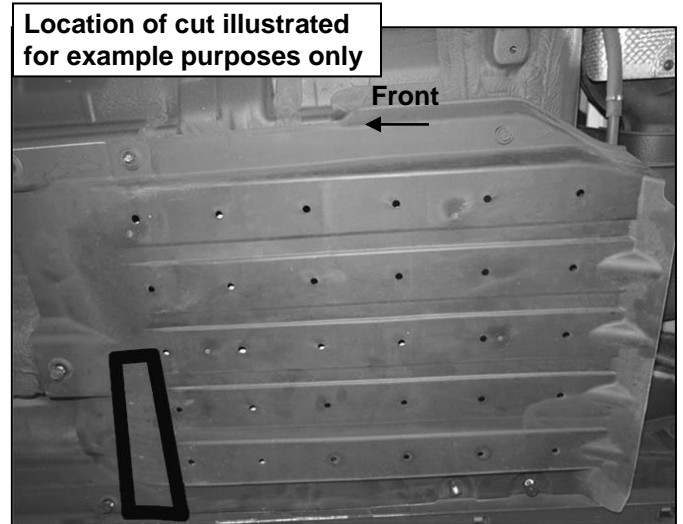
10mm Bolt Plate  
10mm Plastic Retainer  
10mm Flat Washer  
10mm Lock Nut

8mm Hex Bolt  
(2) 8mm Flat Washers  
8mm Lock Nuts

### Passenger/Right Side Installation Pictured



(Fig 12) All Mounting Cradles should face towards the rear

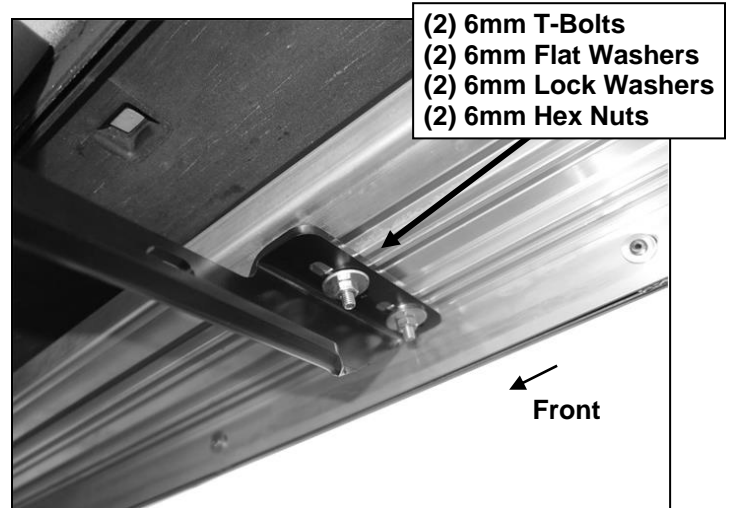


Location of cut illustrated for example purposes only

(Fig 13) Plastic cover must be trimmed about 3" x 10.5" to clear center bracket



(Fig 14) Slide T-Bolts into open end of Running Board



- (2) 6mm T-Bolts
- (2) 6mm Flat Washers
- (2) 6mm Lock Washers
- (2) 6mm Hex Nuts

(Fig 15) Passenger side installed pictured



Complete Installation