



INSTALLATION INSTRUCTIONS

PART # BBNIJUA / BBNIJUUS

2011-2015 NISSAN JUKE BULL BAR




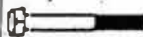







NO SKID PLATE

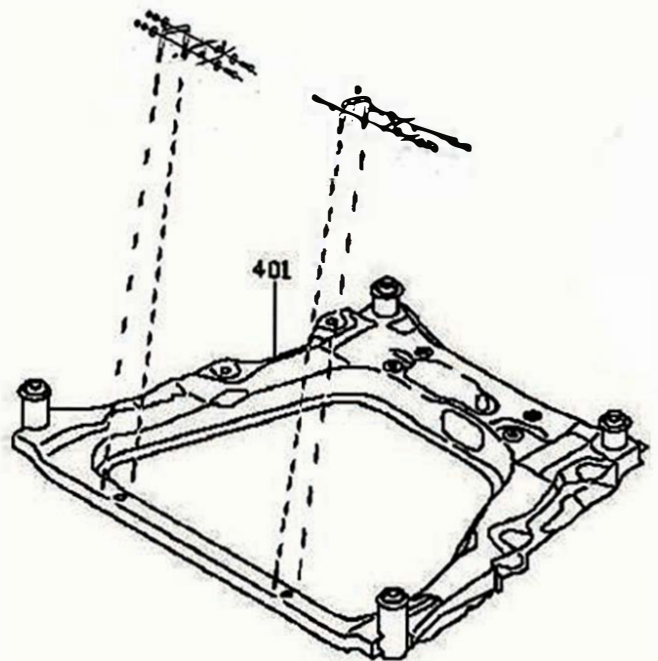
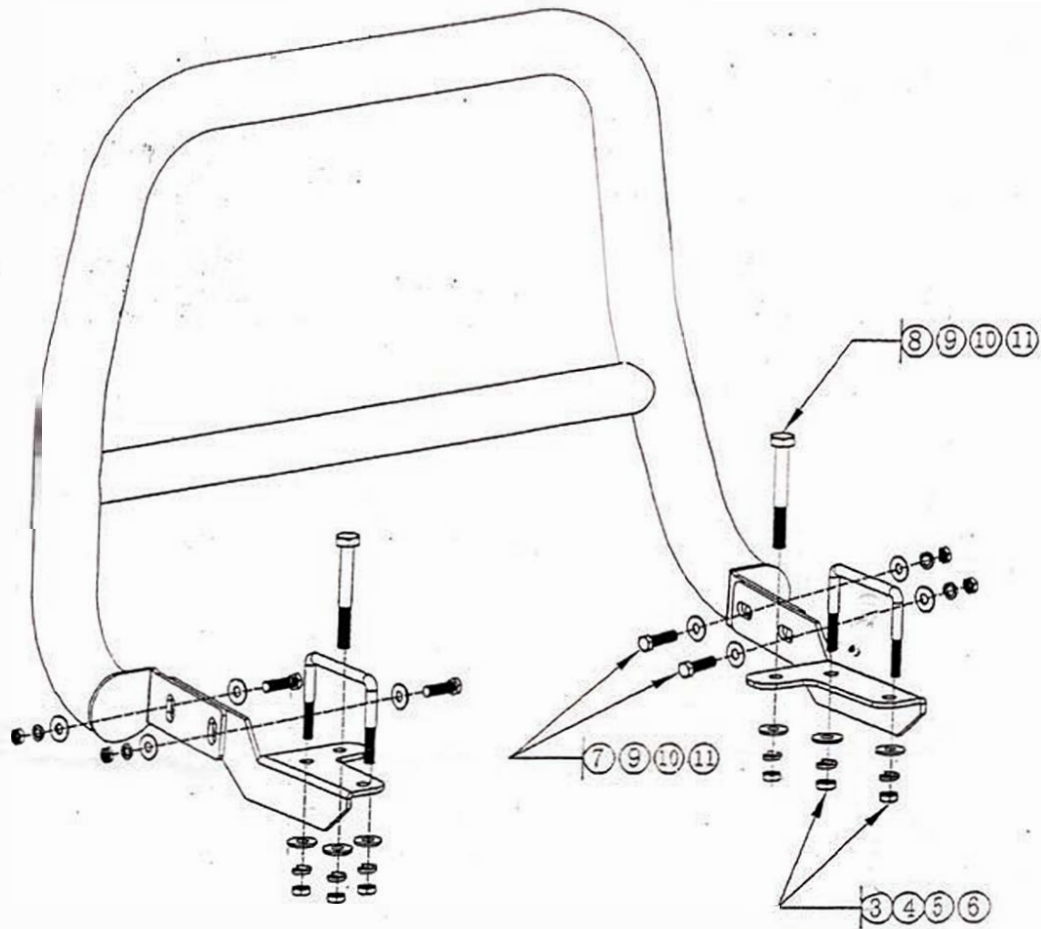
INSTALLATION INSTRUCTION
ITEM NO: BBNIJUA

ATTENTION

1. Please read this installation instruction before installing this part.
When install it, please pay attention to protecting your vehicles.
2. When you use it, please check this parts at a fix time-lapse, such as one month or two month.

PARTS LIST

No	Name	Photo	Qty	Remarks	No	Name	Photo	Qty	Remarks
1	Grille Guard		1		7	Bolt		4	M12X30
2	Mount Bracket		2	Lateral symmetry	8	Bolt		2	M12X100
3	"U" Bolt		2		9	Lock Washer		6	M12
4	Hex Nut		4	M10	10	Hex Nut		6	M12
5	flat washer		4	M10	11	flat washer		10	M12
6	Lock Washer		4	M10					



U-bolts go on the chassis rail of the vehicle.

INSTALLATION STEPS

- STEP 1: Check the parts in the box carefully if match above list.
- STEP 2: Pls prepare the tools for installation, follow as: 14-17, 17-19 wrench.
- STEP 3: Install the mount bracket on the girder of the car, and tighten it with M10 "U" Bolt and M12X100 Bolt with bread.
- STEP 4: Install the Grille Guard on the mount bracket, and tighten it with M12X30 bolt.
- STEP 5: Installation is finished.