



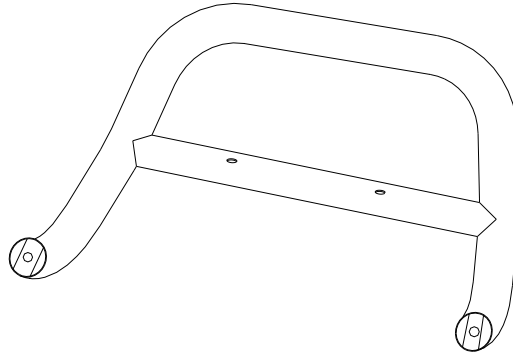
INSTALLATION INSTRUCTIONS

APPLICATION: 1999-01 SILVERADO/SIERRA 1500 SERIES 4×4/4×2
 2000-01 TAHOE/YUKON/SUBURBAN/YUKON XL
 1500 SERIES 4×4/4×2

**SAFARI BAR
ASSEMBLY**

**BB2541/BB2540A
BB2541-SP/BB2540A-SP**

**MOUNT KIT
B18 (M38)**



QTY	PARTS KIT CONTENTS DESCRIPTION	TOOLS REQUIRED
1	BULL BAR ASSEMBLY	19MM SOCKET
1	MOUNT BRACKET-DRIVER SIDE	18MM SOCKET
1	MOUNT BRACKET-PASSENGER SIDE	3/4" SOCKET
2	M12×50 HEX BOLT	TORQUE WRENCH
8	Φ 12 SAE FLAT WASHERS	
6	Φ 12 LOCK WASHERS	
2	PLASTIC PLUGS	
2	M12×40 HEX BOLT	
2	M12 HEX NUT	
4	RUBBER BUMPER	

- STEP1: REMOVE THE CONTENTS FROM THE BOX AND CHECK FOR ANY DAMAGE. VERIFY ALL PARTS AGAINST PARTS LIST.
- STEP2: READ AND UNDERSTAND INSTRUCTIONS COMPLETELY BEFORE BEGINNING INSTALLATION.
- STEP3: DETERMINE PASSENGER AND DRIVER MOUNT BRACKETS. FROM UNDERSIDE OF VEHICLE, REMOVE TOW HOOK BOLTS. (FOR 2WD MODELS, INSERT M12×40 HEX BOLT AND Φ 12 FLAT WASHER, Φ 12 LOCK WASHER FROM FRONT OF FRAME). INSERT BOLT PLATE INTO 1 1/4" DIAMETER HOLE. BOLT MOUNT BRACKET TO FRAME USING Φ 12 FLAT WASHER, Φ 12 LOCK WASHER AND M12 HEX NUT ON REAR HOLE FOR BOLT PLATE AND M12 HEX BOLT THAT GOES INTO TOW HOOK, (FOR 2WD MODELS, USE HEX NUT INSTEAD). BOLT BRACKET TO FRAME LOOSELY REPEAT FOR OPPOSITE SIDE . SEE FIGURE2.
- STEP4: BOLT BULL BAR TO MOUNT BRACKETS USING M12×50 HEX BOLTS, Φ 12 FLAT WASHERS AND 12 LOCK WASHERS. LEAVE LOOSE.
- STEP5. LEVEL AND ADJUST AS DESIRED . TIGHTEN AND TORQUE FASTENERS AS LISTED. M12 FASTENERS TO 65FT. LBS, M10 -32 FT. LBS, M8-17 FT. LBS.

LIGHT INSTALLATION: WHEN INSTALLING LIGHT ON THE BULL BAR,INSERT THREADED STUD ON THE LIGHT THROUGH IN TOP OF CROSS TUBE. USING A RATCHET AND SOCKET FOR CORRECT SIZE OF NUT SUPPLIED WITH YOUR LIGHT, INSERT THROUGH LARGE CLEARANCE HOLE IN BOTTOM OF CROSS TUBE. THREAD NUT,ALONG WITH ANY WASHERS PROVIDED WITH YOUR LIGHT ON STUD AND TIGHTEN. **SEE FIGURE 1** (A SHORT SOCKET,NOT A DEEP WELL WORKS BEST TO GET THE NUT STARED).

