

INSTALLATION INSTRUCTION

SS Bull Bar with Skid Plate

14-15 Acura MDX

PART # BB158107-SP



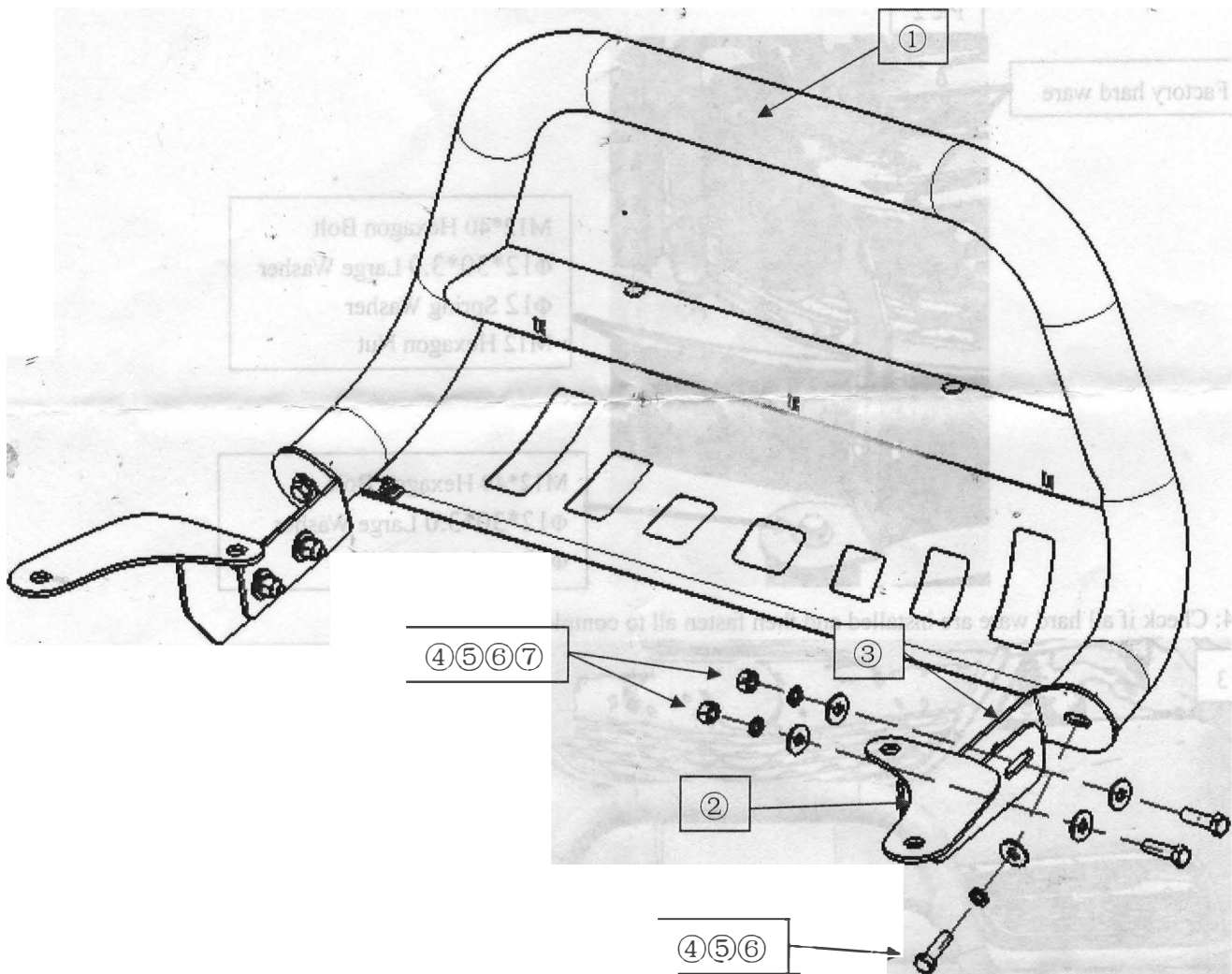
Attention:

- Please read this installation menu before installing this part. Protect your car properly in case there is any scratch might have.
- You may need to periodically to re-tighten all hardware for safety use after installation.
- Installation pictures are only for your reference, there might be some differences between pictures and real parts but no affect for your fitting.

PART LIST

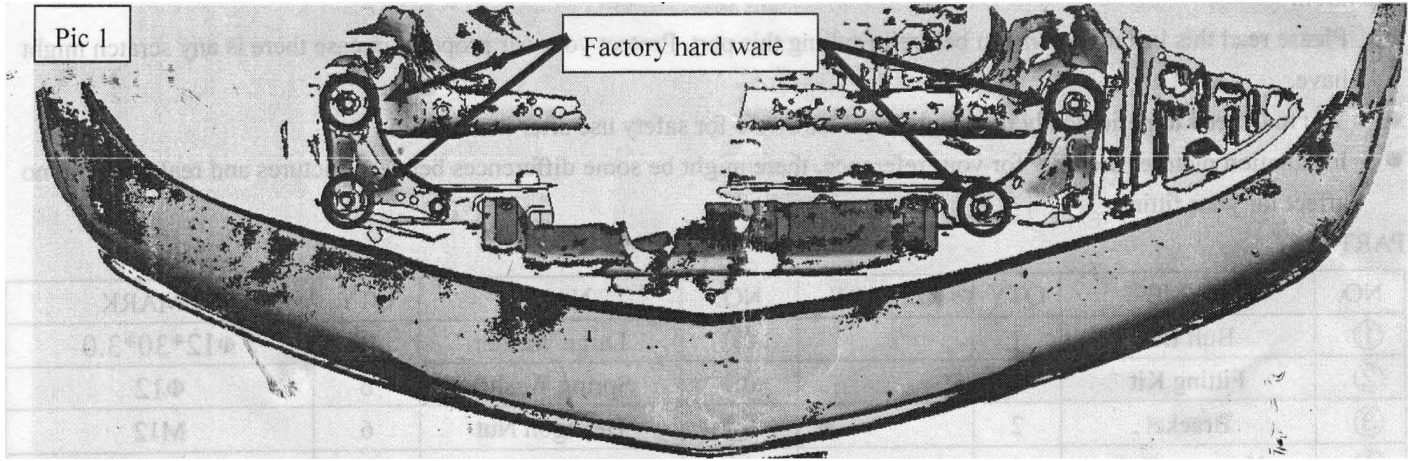
NO.	NAME	QTY	REMARK	NO.	NAME	QTY	REMARK
①	Bull Bar	1		⑤	Large Washer	10	$\Phi 12*30*3.0$
②	Fitting Kit	2		⑥	Spring Washer	6	$\Phi 12$
③	Bracket	2		⑦	Hexagon Nut	6	M12
④	Hexagon Bolt	6	M12*40	⑧			

INSTALLATION PICTURE

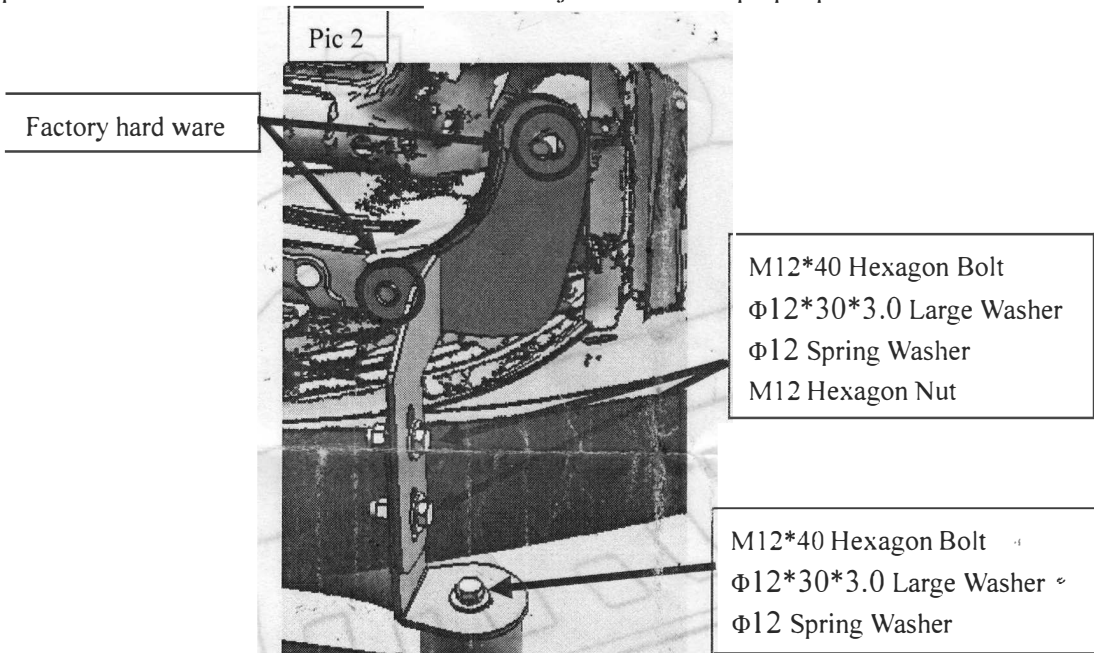


INSTALLATION PROCEDURES

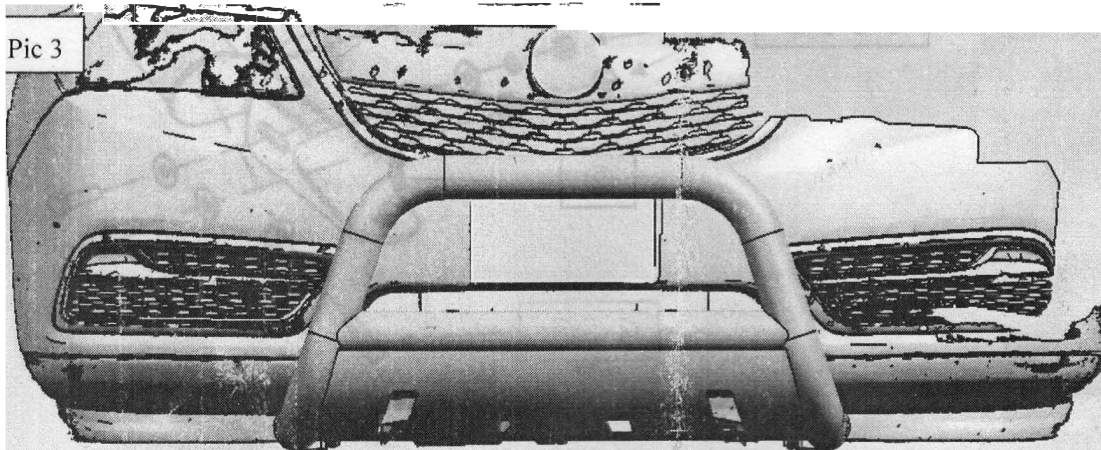
- Step 1: Refer to Part List to check if all hard ware are included.
- Step 2: Refer to the following picture to install the left and right brackets.



Step 3: Install the bull bar on the brackets and then adjust them to the proper positions.



Step 4: Check if all hard ware are installed and then fasten all to complete the installation.



Disclaimer: Caused due to improper installation initiates some related problem and losses, are beyond our company's quality assurance.