



# **INSTALLATION INSTRUCTIONS**

**PART # BB093903-SP**

**3" BULL BAR WITH SKID PLATE FOR RAV4 2006-2015**

# INSTALLATION INSTRUCTION

ITEM NO.: BB093903-SP

DESCRIPTION: 3" BULL BAR WITH SKID PLATE FOR RAV4 2006-2015 (304)

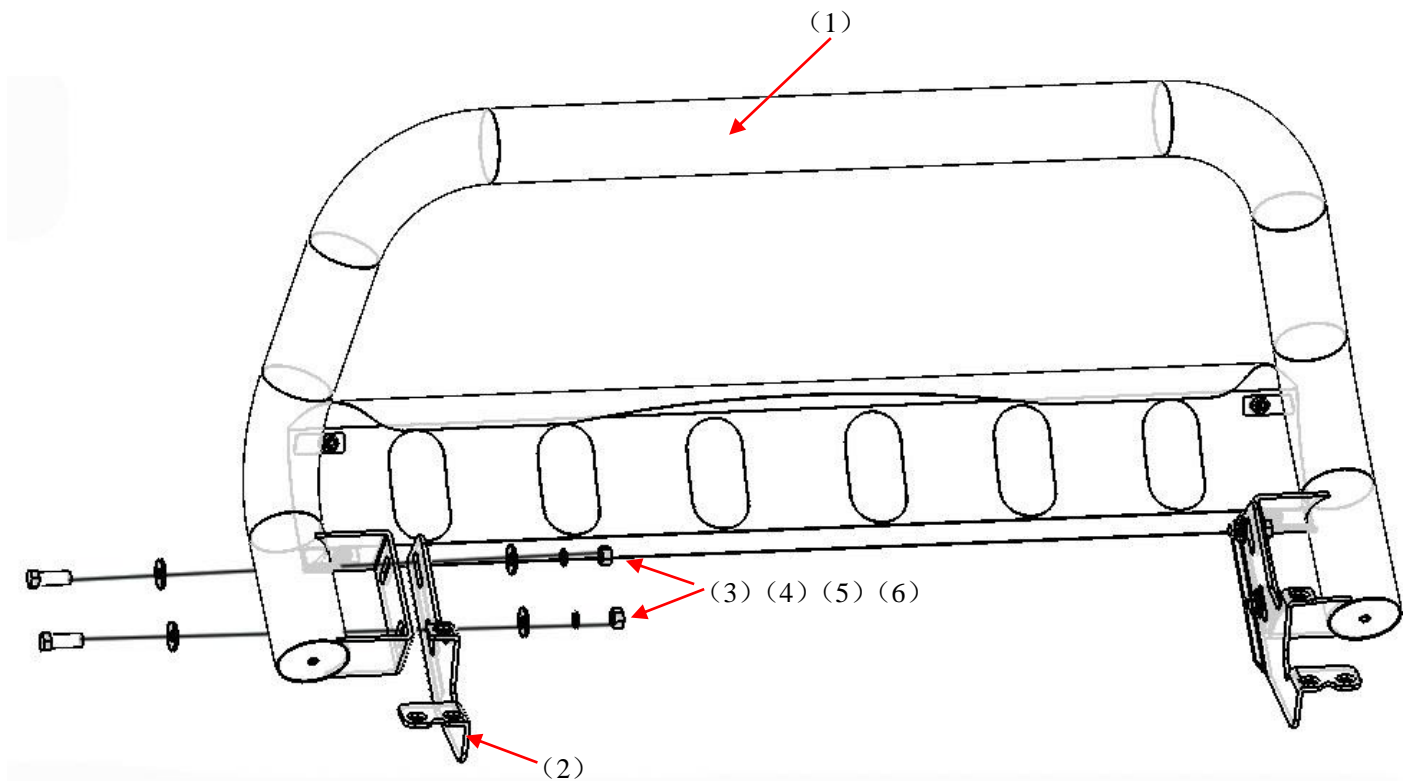
Attention:

- Please read this installation menu before installing this part. Protect your car properly in case there is any scratch might happen.
- You may need to periodically to re-tighten all hardware for safety use after installation.
- Installation pictures are only for your reference, there might be some differences between pictures and real parts but no affection for your fitting.

## PART LIST

NO.	NAME	QTY	REMARK	NO.	NAME	QTY	REMARK
(1)	Bull Bar	1		(4)	Large Washer	8	Φ12X30X3.0
(2)	Bracket	2		(5)	Spring Washer	4	Φ12
(3)	Hexagon Head Bolt	4	M12X35-8.8	(6)	Hexagon Nut	4	M12-8.0

## INSTALLATION PICTURES

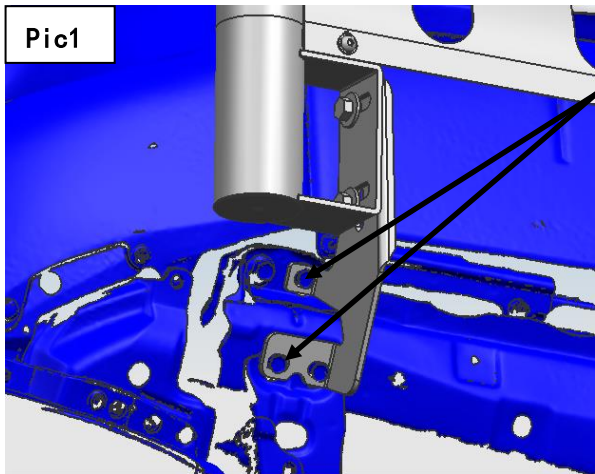


## INSTALLATION PROCEDURES

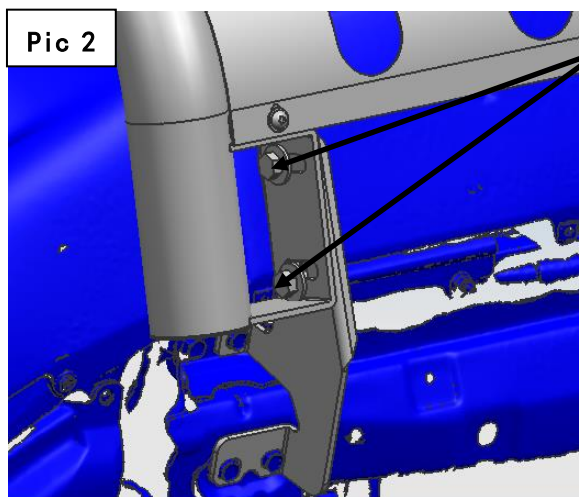
**Step 1: Refer to the Part List to check if all hardware are included.**

**Step 2: Refer to the print R and L to distinguish the left and right bracket and then put them with their related fasteners.**

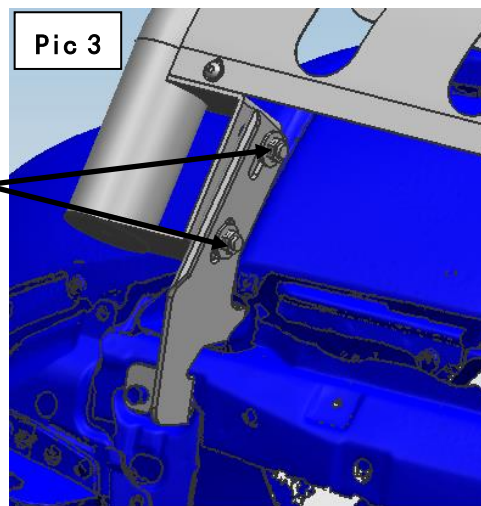
**Step 3: Refer to Pic 1 to install the mounting brackets. Install (3), (4) on the tube. And then install the fasteners, but do not tighten up.**



Use the factory hardware to install the bracket on the bottom, but do not tighten up.

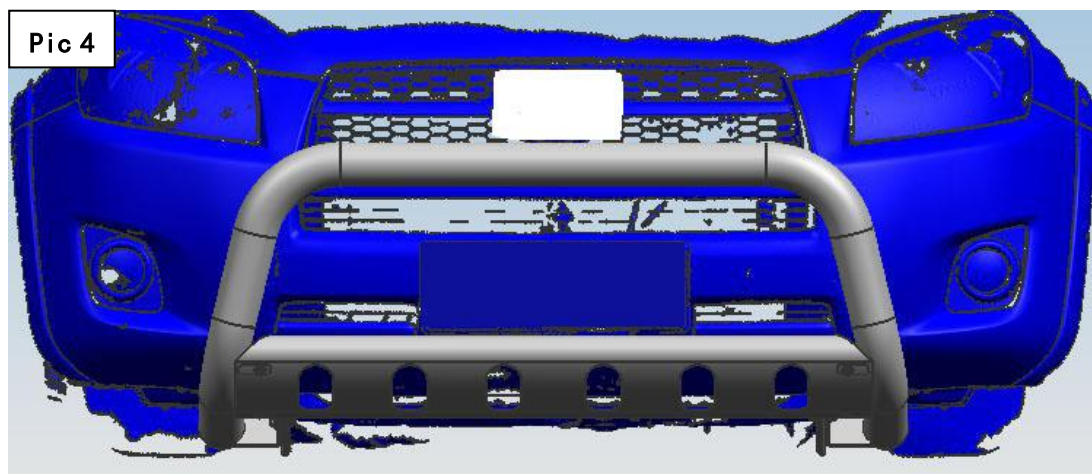


Refer to Pic 2 to install (3), (4) on these holes with (4), (5) and (6), but do not tighten up.



**Step 4: Check if all hardware are installed and tighten up all hardware after adjusting the bull bar to the proper position.**

**Step 5: Complete the installation.**



**Disclaimer:** Caused due to improper installation initiates or some related problem and losses, are beyond our company's quality assurance.