

3" 90 DEGREE BENT END SIDEBARS
2019 DODGE RAM 1500 QUAD CAB

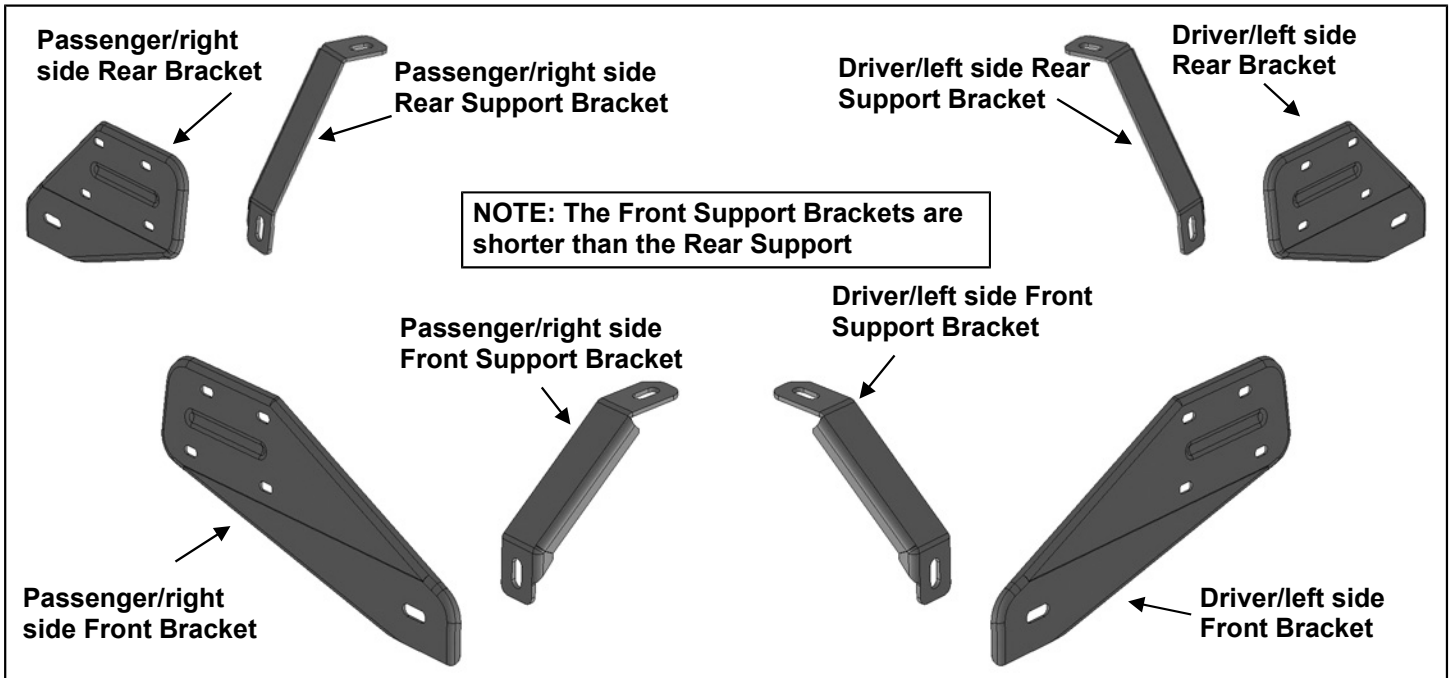


INSTALLATION INSTRUCTIONS

**3" 90 DEGREE BENT END SIDEBARS
2019 DODGE RAM 1500 QUAD CAB
PART#9BDG306A/9BDG306SS**

PARTS LIST:

2	3" 90 deg. Bent End Sidebars	1	Driver/left side Rear Support Bracket
1	Driver/left side Front Mounting Bracket	1	Passenger/right side Rear Support Bracket
1	Passenger/right side Front Mounting Bracket	4	1/2" x 2" Hex Bolts
1	Driver/left side Rear Mounting Bracket	4	1/2" x 1-1/2" x 1/8" Flat Washers
1	Passenger/right side Rear Mounting Bracket	4	1/2" Lock Washers
1	Driver/left side Front Support Bracket	12	8-1.25mm Nylon Lock Nuts
1	Passenger/right side Front Support Bracket	12	8mm x 24mm x 2mm Flat Washers



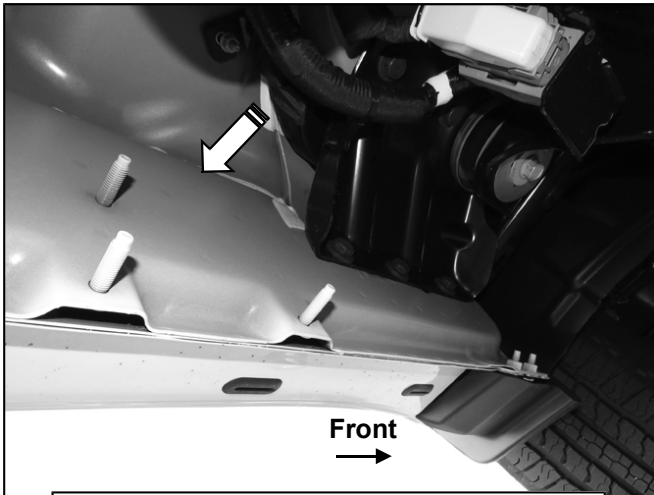
PROCEDURE:

REMOVE CONTENTS FROM BOX. VERIFY ALL PARTS ARE PRESENT. READ INSTRUCTIONS CAREFULLY BEFORE STARTING INSTALLATION. ASSISTANCE IS RECOMMENDED.

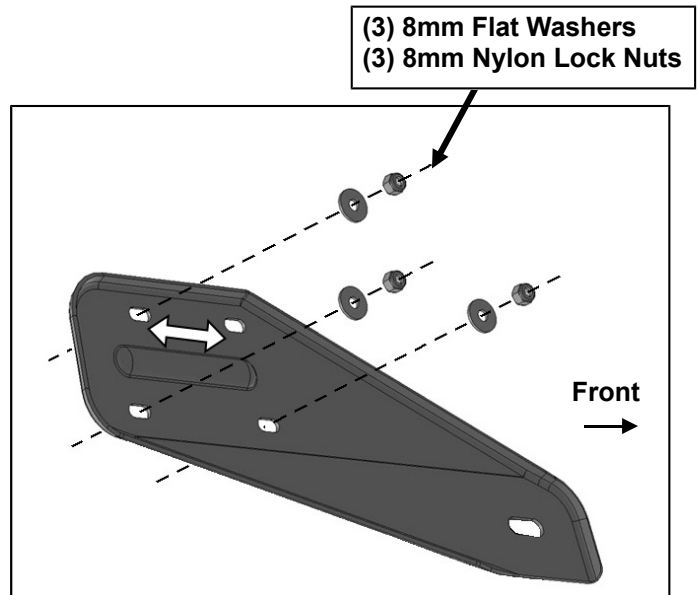
1. Start the installation under the driver/left side of the vehicle. Locate the front (3) factory studs along the inner side of the body panel, **(Figure 1)**. **IMPORTANT:** Use a wire brush or thread die to remove paint buildup on the threaded studs before continuing with installation.
2. Select the driver/left Front Mounting Bracket, **(Figure 2)**. Place the Bracket over the studs with the flat side against the body panel. Attach the Bracket to the (3) factory studs with (3) 8mm Flat Washers and (3) 8mm Nylon Lock Nuts, **(Figures 2 & 3)**. Leave Bracket loose at this time.
3. Locate the front body mount next to the installed Bracket, **(Figure 4)**. Remove the body bolt and washer, **(Figure 5)**. **NOTE:** Clean threads on body bolt to remove paint buildup before reinstalling.
4. Select the driver/left Front Support Bracket, **(Figure 6)**. Reuse the factory body bolt and washer to attach the upper slot in the Support Bracket to the body mount. **(Figures 7 & 8)**.
5. Move to the rear mounting location, **(Figure 9)**. Repeat **Steps 1—4** to attach the driver/left Rear Mounting Bracket and Support Bracket, **(Figure 10)**.
6. Carefully unwrap and select (1) Sidebar. With assistance, line up the front end of the tube with the front Bracket, **(Figure 11)**. Attach the front end of the Sidebar to the Front Brackets with the included 1/2" Hex Bolt, 1/2" Lock Washer and 1/2" Flat Washer, **(Figures 11 & 12)**. Do not tighten hardware.
7. Move to the rear of the Sidebar. Repeat **Step 6** to attach the Sidebar to the rear Brackets, **(Figure 13)**.
8. Level and adjust the Sidebar as necessary and fully tighten all hardware.
9. Repeat **Steps 1—8** for passenger/right Sidebar.
10. Do periodic inspections to the installation to make sure that all hardware is secure and tight.

To protect your investment, wax this product after installing. Regular waxing is recommended to add a protective layer over the finish. Do not use any type of polish or wax that may contain abrasives that could damage the finish. Mild soap may be used also to clean the Sidebar.

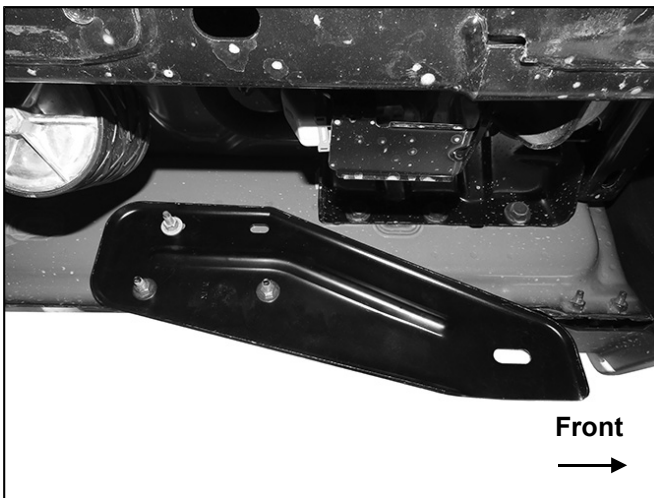
Driver/left Side Installation Pictured



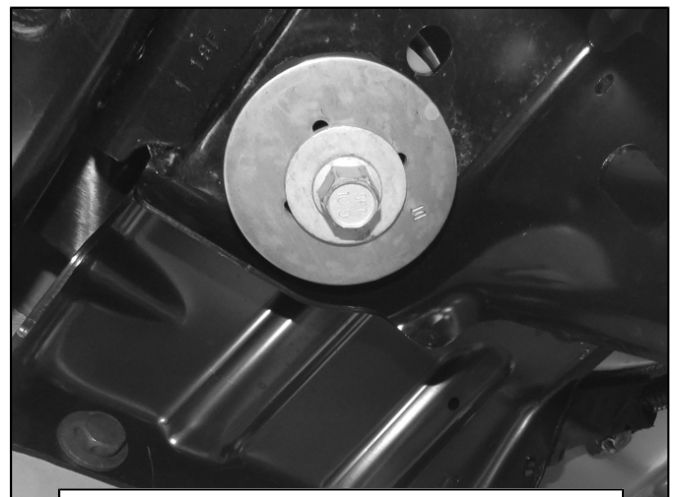
(Fig 1) Driver/left front mounting location



(Fig 2) Attach flat side of Driver/left Front Mounting Bracket to side of inner body panel



(Fig 3) Driver/left Front Bracket installed

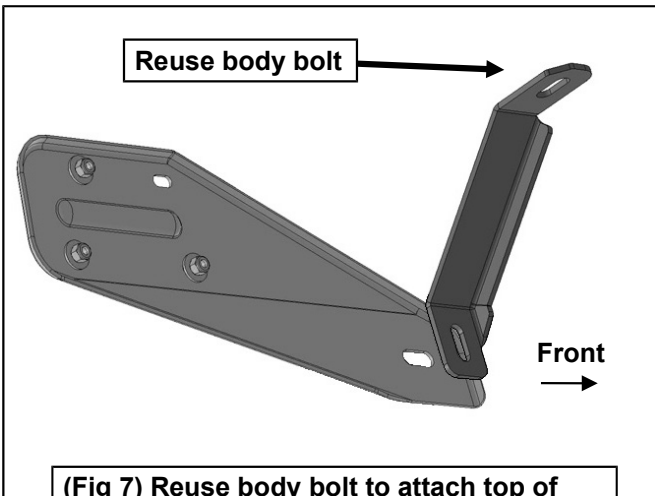


(Fig 4) Locate driver/left front body mount (passenger side pictured for example)

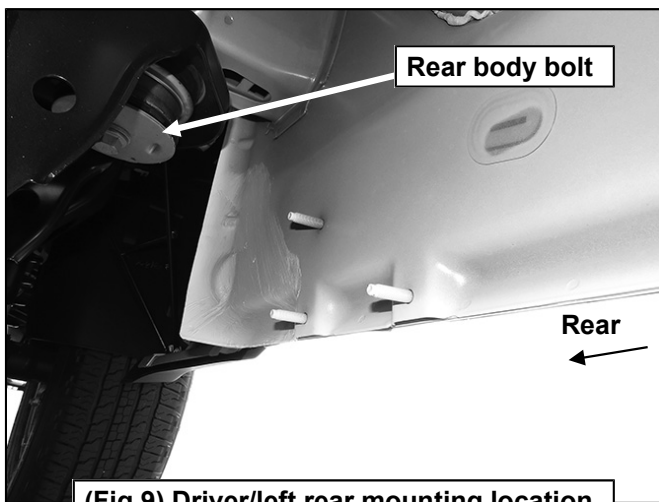
Driver/left Side Installation Pictured



(Fig 5) Remove factory body bolt



(Fig 7) Reuse body bolt to attach top of Support Bracket to body mount (Driver/left Front Support Bracket illustrated)



(Fig 9) Driver/left rear mounting location

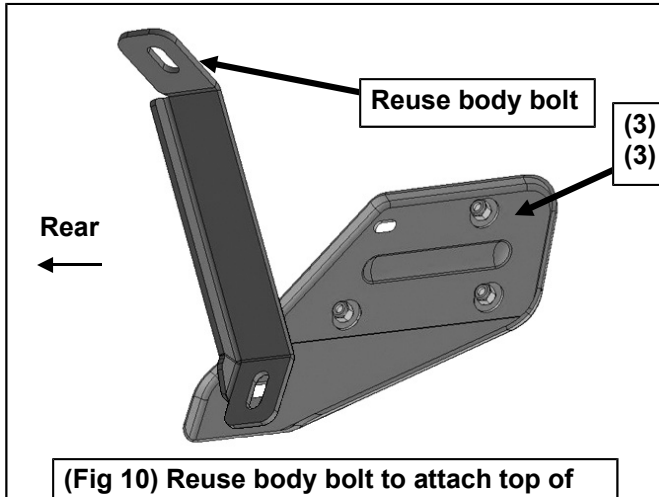


(Fig 6) Driver/left Front and Rear Support Brackets. NOTE: Front Support Bracket (left) is shorter than the rear (right).



(Fig 8) Driver/left Front Support Bracket attached to body mount

Driver/left Side Installation Pictured

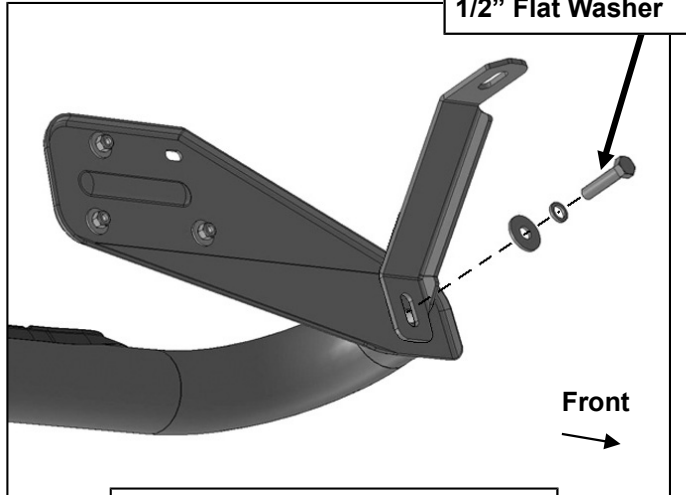


NOTE: The Front Support Bracket is shorter than the Rear Support Bracket.

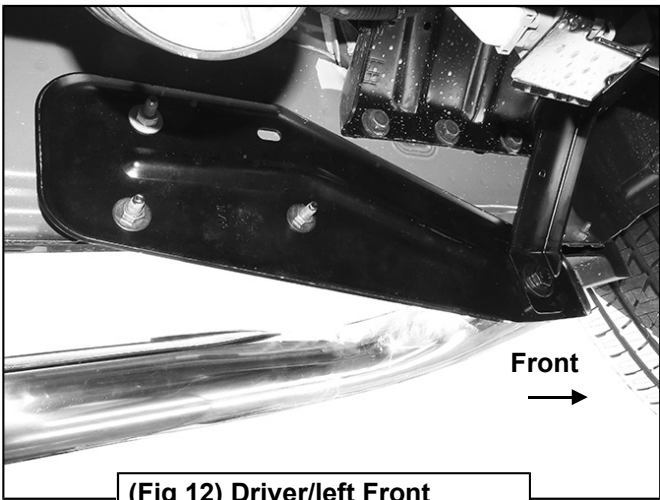
- (3) 8mm Flat Washers
- (3) 8mm Nylon Lock Nuts

- 1/2" x 2" Hex Bolt
- 1/2" Lock Washer
- 1/2" Flat Washer

(Fig 10) Reuse body bolt to attach top of Support Bracket to body mount (Driver/left Rear Support Bracket illustrated)

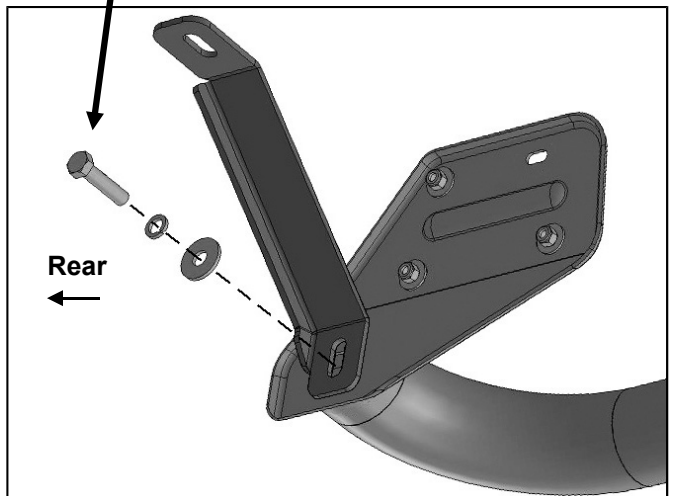


(Fig 11) Attach end of the Sidebar to the driver/left front Bracket



(Fig 12) Driver/left Front Brackets and Sidebar installed

- 1/2" x 2" Hex Bolt
- 1/2" Lock Washer
- 1/2" Flat Washer



(Fig 13) Attach Sidebar to Driver/left Rear Brackets



Complete Installation