



INSTALLATION INSTRUCTIONS

PART # 8DJPCSS-DL

2014-2015 JEEP CHEROKEE REAR BUMPER GUARD

DOUBLE LAYER

INSTALLATION INSTRUCTION

ITEM NO.: 8DJPCSS-DL

DESCRIPTION: DOUBLE LAYER REAR GUARD FOR CHEROKEE 2014-2015

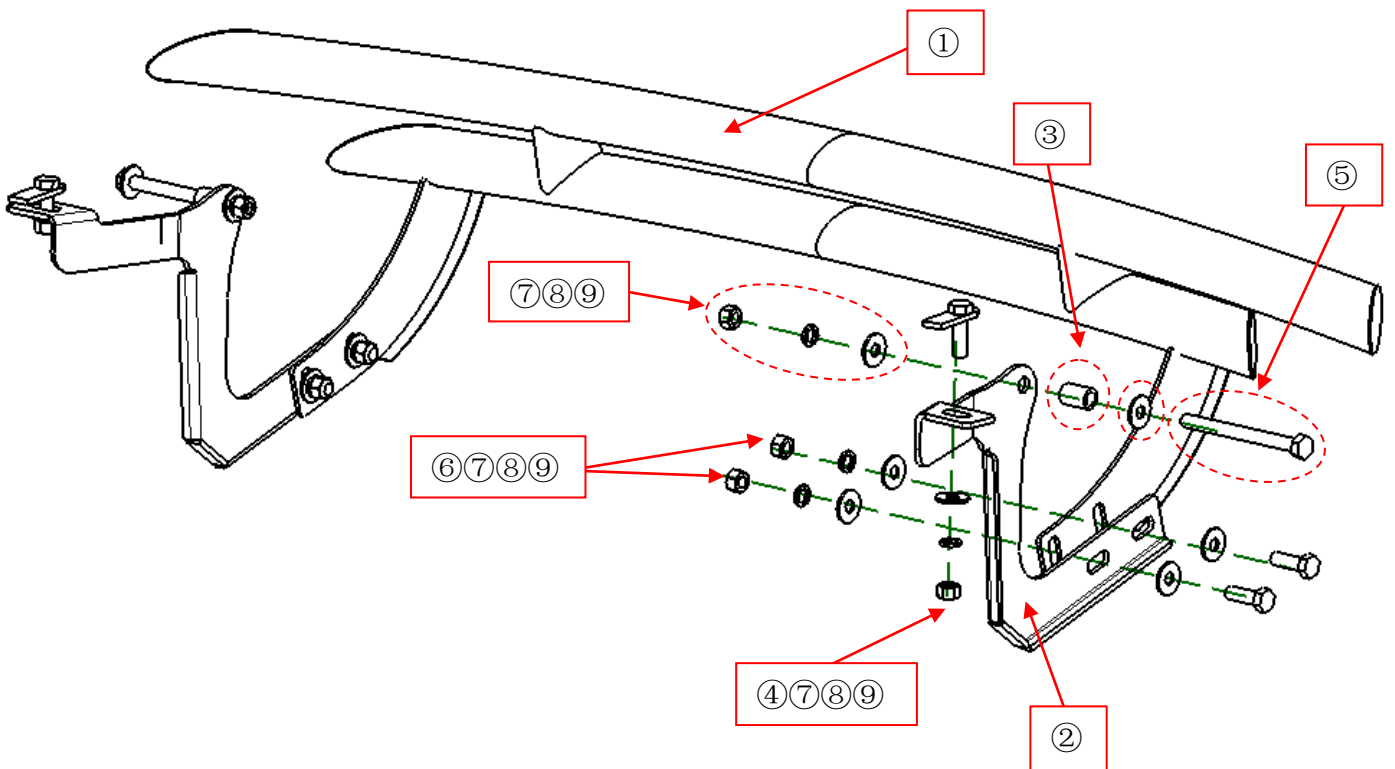
Attention:

- Please read this installation menu before installing this part. Protect your car properly in case there is any scratch might happen.
- You may need to periodically to re-tighten all hardware for safety use after installation.
- Installation pictures are only for your reference, there might be some differences between pictures and real parts but no affection for your fitting.

PART LIST

NO.	NAME	QTY	REMARK	NO.	NAME	QTY	REMARK
①	Rear Guard	1		⑥	Hexagon Bolt	4	M12*35
②	Bracket	2		⑦	Large Washer	14	φ12*30*3.0
③	Small Tube	2		⑧	Spring Washer	8	φ12
④	T Bolt 6-3	2	67*M12*40	⑨	Hexagon Nut	8	M12
⑤	Hexagon Bolt	2	M12*130*40-4.8 (half thread)				

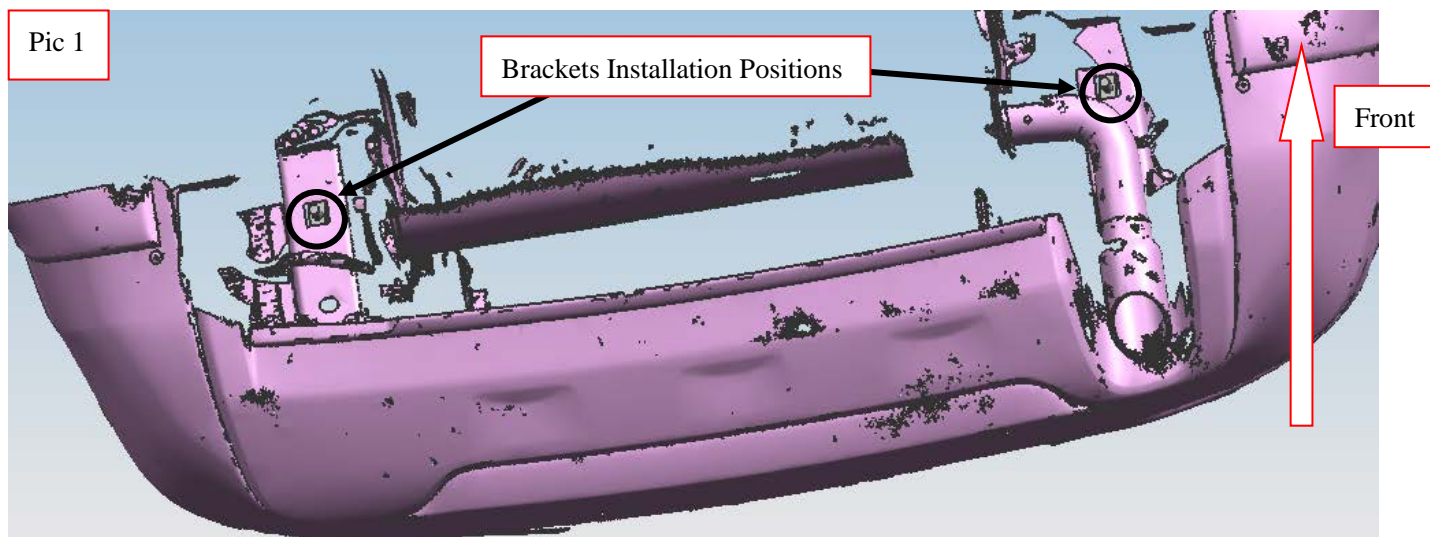
INSTALLATION PICTURE



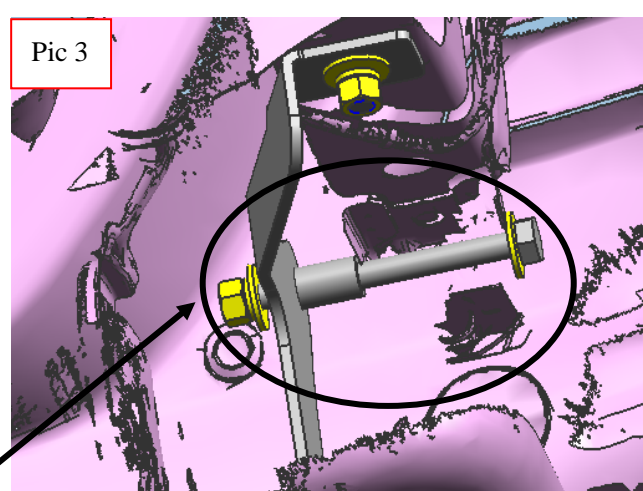
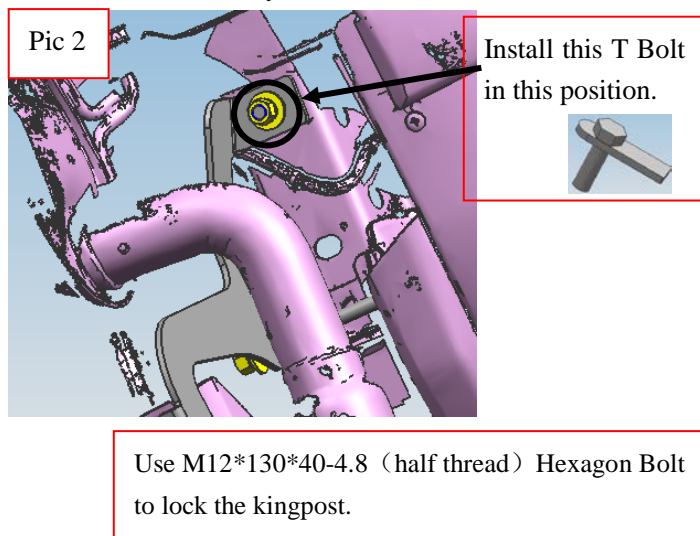
INSTALLATION PROCEDURES

Step 1: Refer to Part List to check if all hardware are included.

Step 2: Refer to the following Picture to install the left and right bracket.

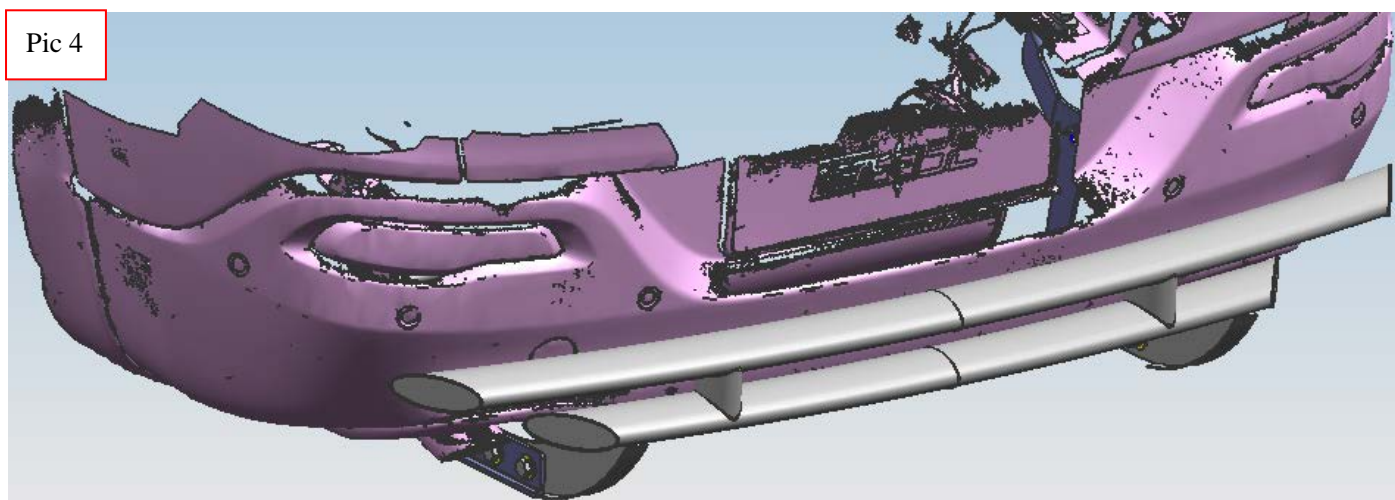


Note: It is the same way to install both sides' brackets.



Step 3: Install the Rear Guard on the brackets and then adjust them to the proper positions.

Step 4: Check if all hardware are installed and then tighten all to complete the installation.



Disclaimer: Caused due to improper installation initiates or some related problem and losses, are beyond our company's quality assurance.

Choose reliable grille guards and bull bars offered on our website.