



INSTALLATION INSTRUCTIONS

PART # 8D116703DSS

2014-2015 NISSAN ROGUE STAINLESS STEEL

REAR BUMPER GUARD (DOUBLE TUBE)

INSTALLATION INSTRUCTION

ITEM NO.: 8D116703DSS

DESCRIPTION: 14-15 Nissan Rogue SS rear bumper Guard (double Tube)

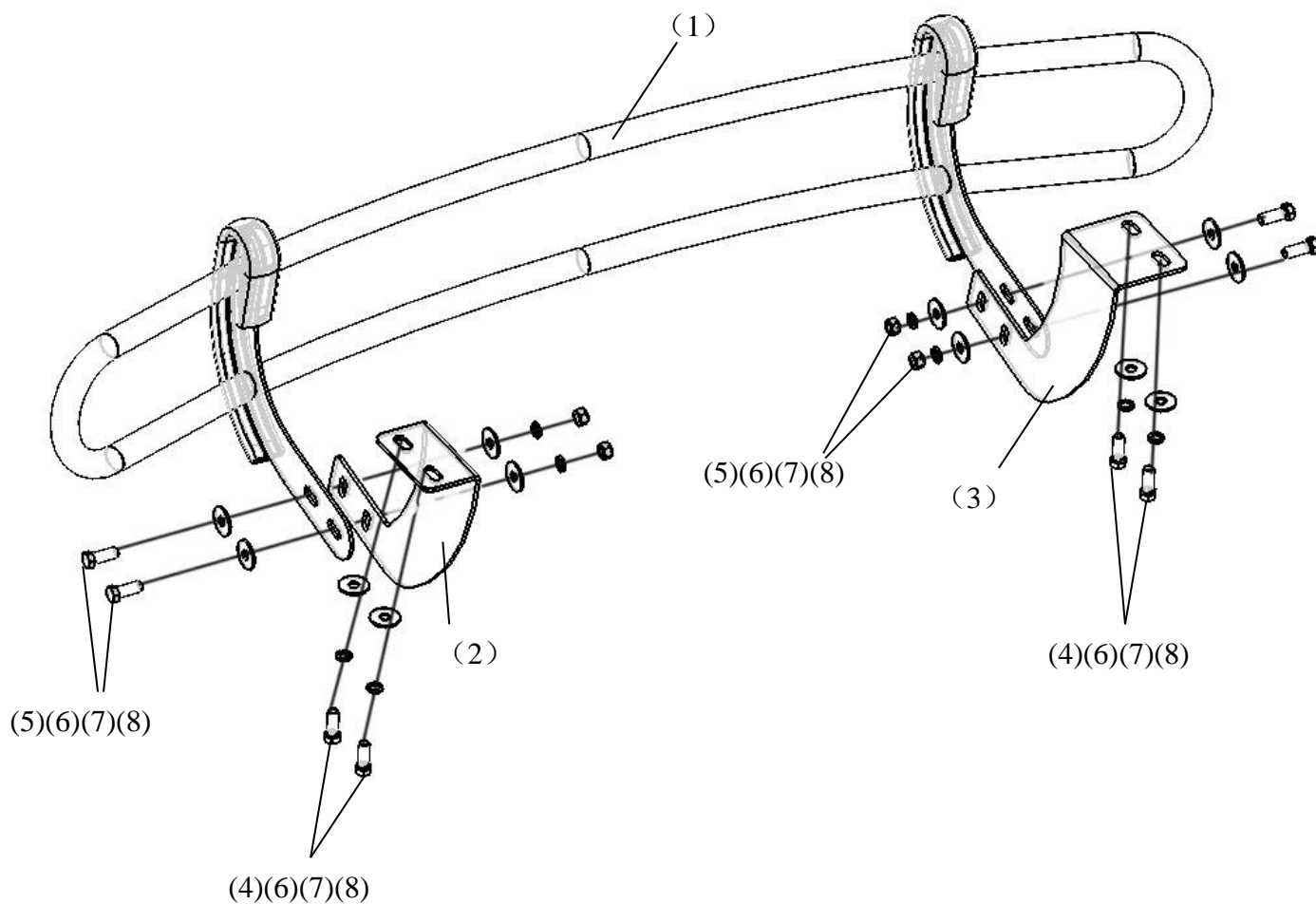
Attention:

- Please read this installation menu before installing this part. Protect your car properly in case there is any scratch might happen.
- You may need to periodically to re-tighten all hardware for safety use after installation.
- Installation pictures are only for your reference, there might be some differences between pictures and real parts but no affection for your fitting.

Part List

No.	NAME	QTY	REMARK	No.	NAME	QTY	REMARK
(1)	Rear Guard	1		(5)	Hexagon Head Bolt	4	M12*35
(2)	Mounting Bracket (right)	1		(6)	Extra Large Washer	12	φ12*35*3.0
(3)	Mounting Bracket (left)	1		(7)	Spring Washer	8	φ12
(4)	Hexagon Head Bolt (fin thread)	4	M12*35	(8)	Hexagon Nut	4	M12

INSTALLATION PICTURE

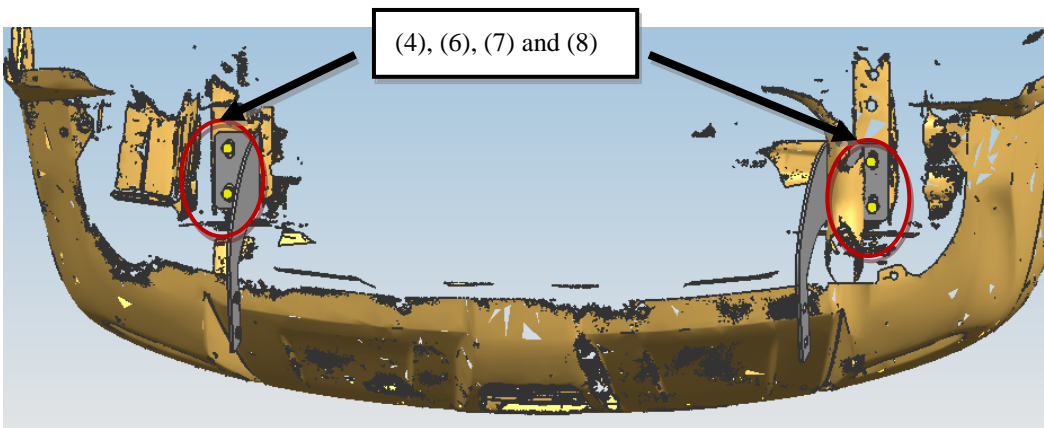
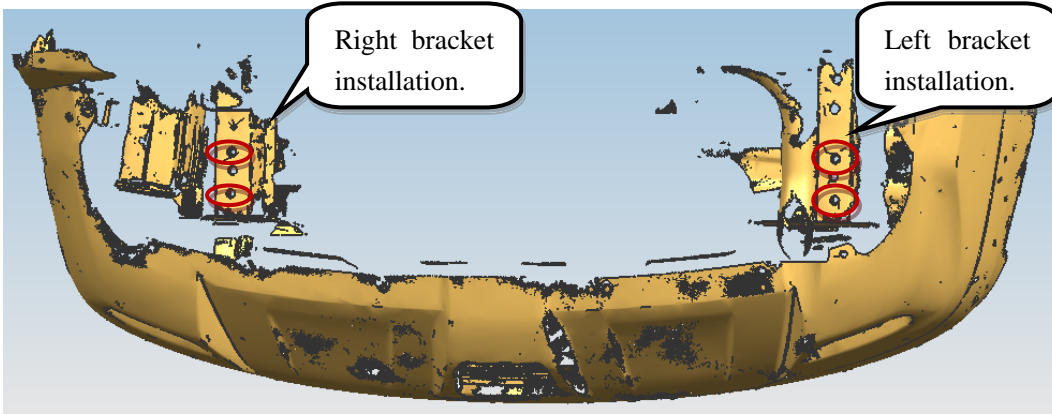


INSTALLATION PROCEDURES

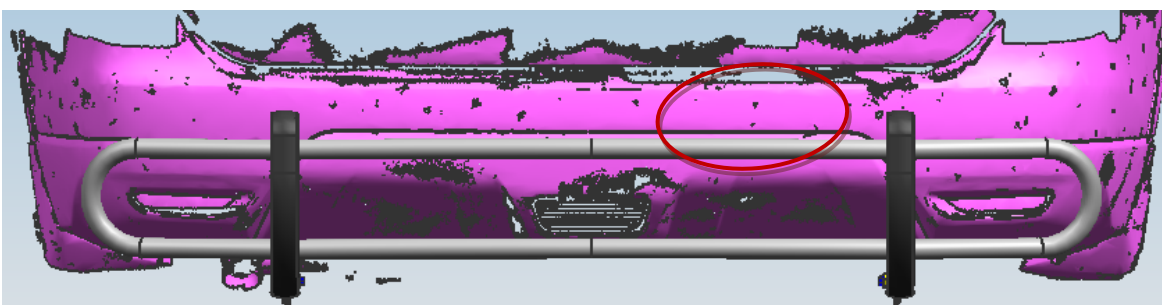
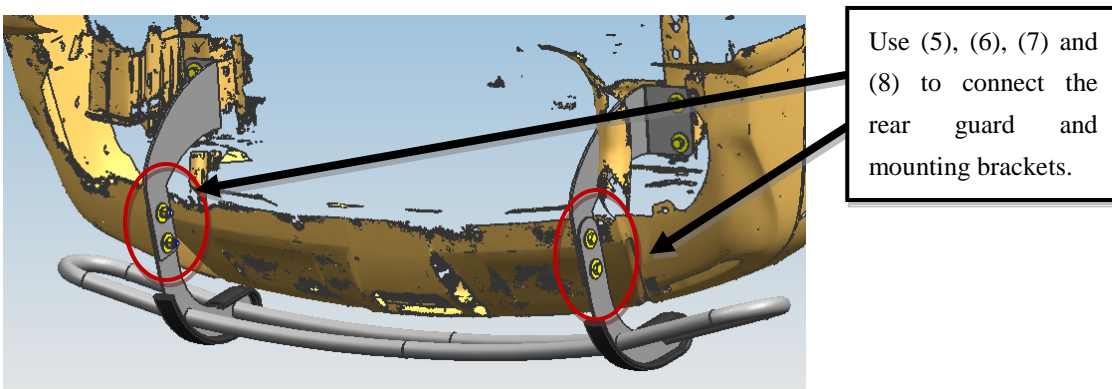
Step 1: Refer to the Part List to check if all hardware are included.

Step 2: Refer to the print L and R to distinguish the left and right mounting bracket. And then put them with their fasteners.

Step 3: Refer to the following picture to install the mounting brackets.



Step 4: After adjusting the rear guard to the proper place, please fasten all hardware and complete the installation.



Disclaimer: Caused due to improper installation initiates or some related problem and losses, are beyond our company's quality assurance.