



INSTALLATION INSTRUCTIONS

PART # 8D116703SS -1

2014-2015 NISSAN ROGUE STAINLESS STEEL

REAR BUMPER GUARD (SINGLE TUBE)

INSTALLATION INSTRUCTION

ITEM No.: 8D116703SS -1

DESCRIPTION: 14-15 Nissan Rogue SS Rear Bumper Guard (Single Tube)

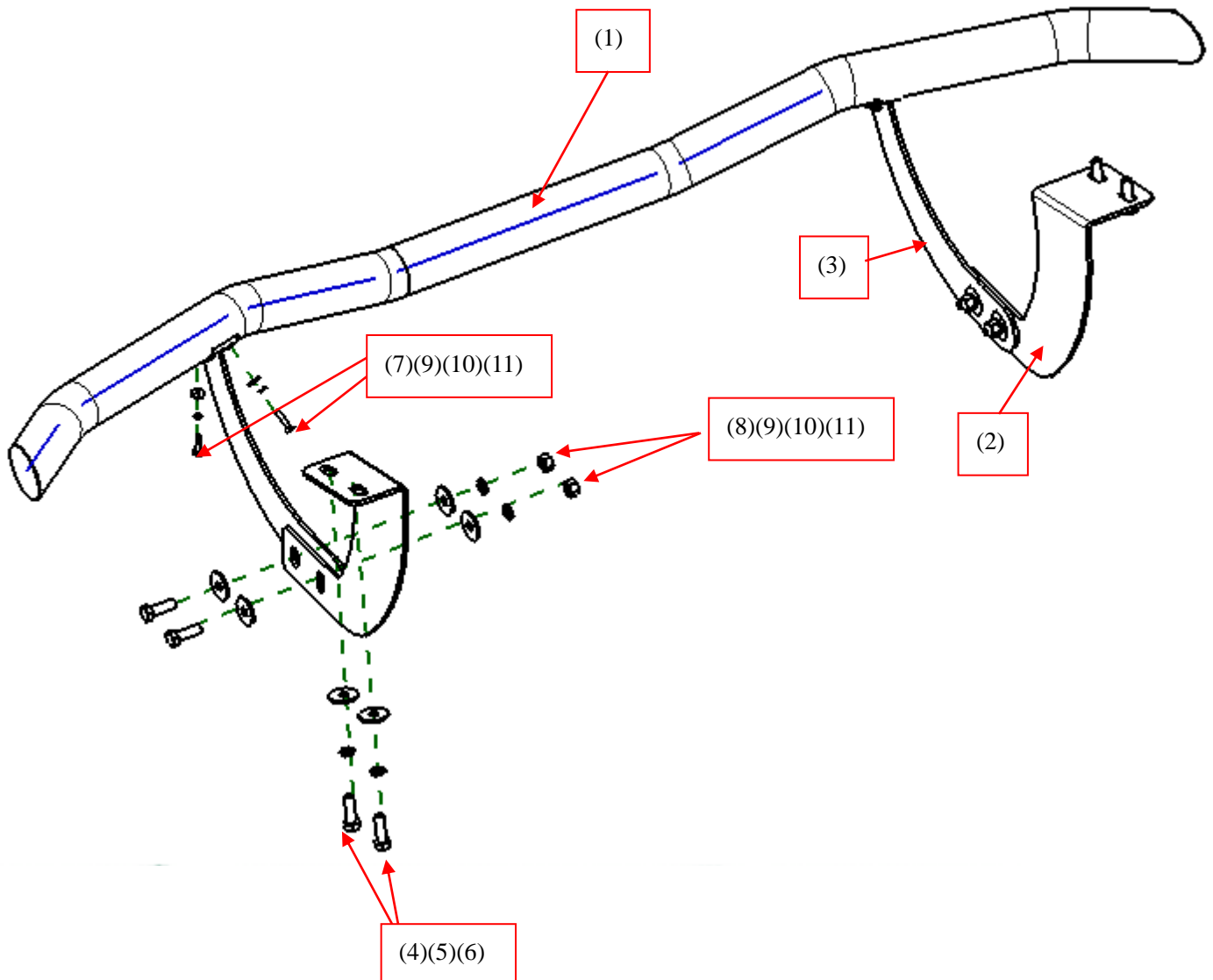
Attention:

- Please read this installation menu before installing this part. Protect your car properly in case there is any scratch might happen.
- You may need to periodically to re-tighten all hardware for safety use after installation.
- Installation pictures are only for your reference, there might be some differences between pictures and real parts but no affection for your fitting.

PART LIST

No.	NAME	QTY	REMARK	No.	NAME	QTY	REMARK
(1)	Rear Guard	1		(7)	Hexagon Head Bolt (fin thread)	4	M12*35
(2)	Mounting Bracket 1	2		(8)	Hexagon Head Bolt	4	M12*35
(3)	Mounting Bracket 2	2		(9)	Extra Large Washer	12	$\phi 12*35*3.0$
(4)	Hexagon Head Bolt	4	M8*25	(10)	Spring Washer	8	$\phi 12$
(5)	Spring Washer	4	$\phi 8$	(11)	Hexagon Nut	4	M12
(6)	Flat Washer	4	$\phi 8*20*2.0$				

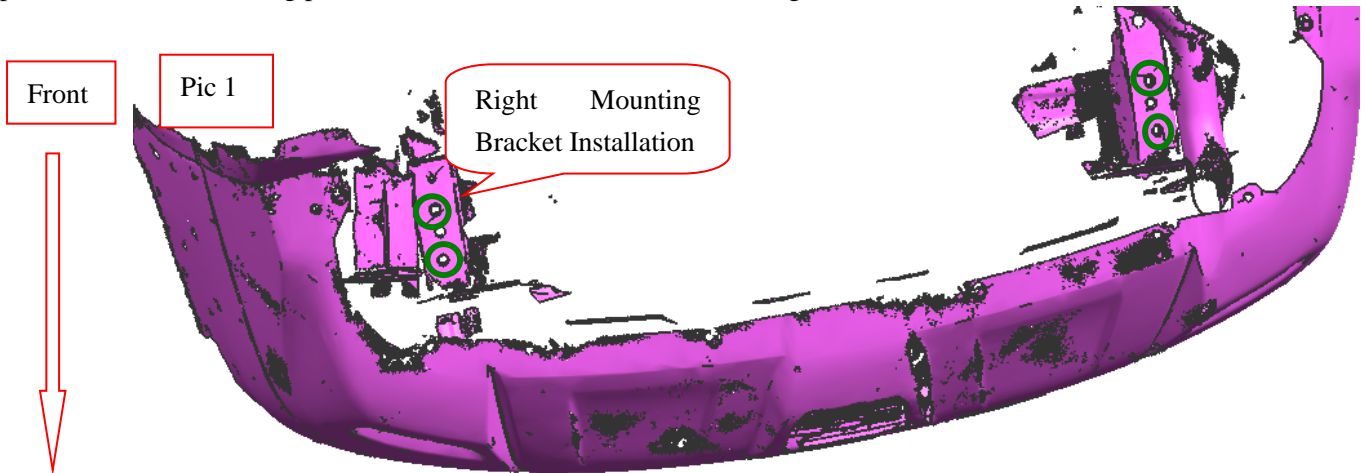
INSTALLATION PICTURES



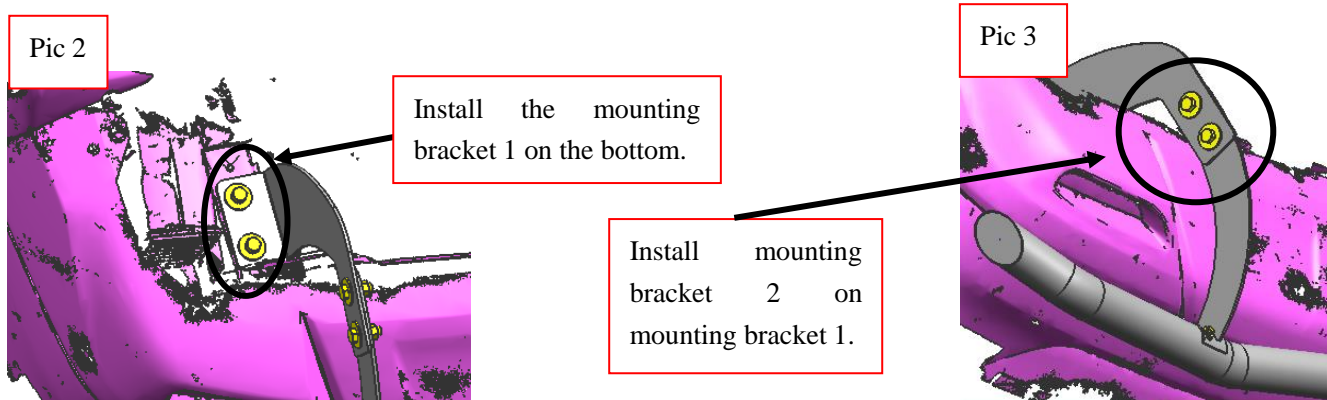
INSTALLATION PROCEDURES

Step 1: Refer to Part List to check if all hard ware are included.

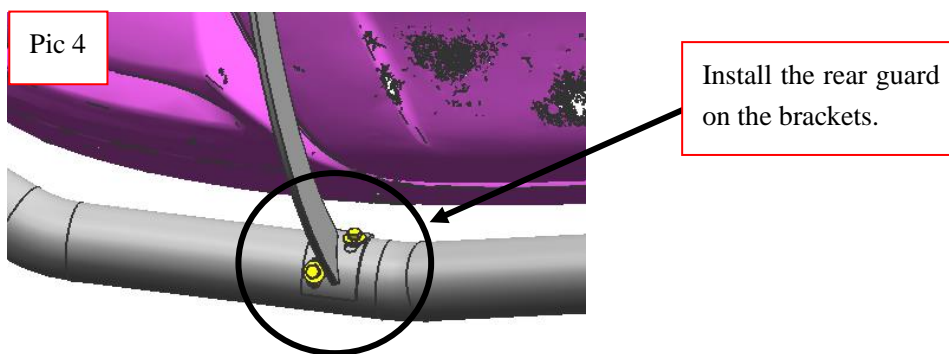
Step 2: Refer to the following picture to install the front and rear mounting brackets.



Step 3: Refer to the following picture to install the mounting brackets on the bottom but do not fasten.

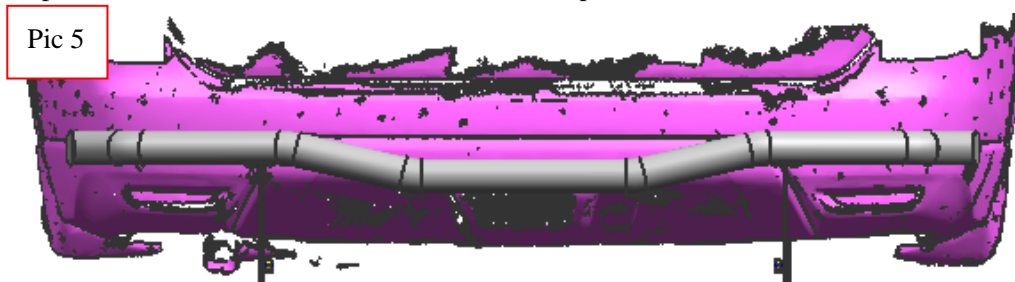


Step 4: Install the rear guard on the brackets.



Step 5: According to the position of the rear guard to adjust the brackets.

Step 6: Check if all hardware are installed and complete the installation.



Disclaimer: Caused due to improper installation initiates or some related problem and losses, are beyond our company's quality assurance.