



# INSTALLATION INSTRUCTION

**PART#: 8D098601SS / 8D098601A**

## REAR BUMPER GUARD FOR TOYOTA FJ CRUISER 07-09

### PARTS LIST:

1	Rear Bumper Guard	4	10-1.50mm x 40mm Hex Head Bolts
1	Driver/Left Mounting Bracket	4	10mm Lock Washers
1	Passenger/Right Mounting Bracket	8	10mm Flat Washers
2	12-1.75mm x 45mm Button Bolt Plate	4	10mm Hex Nuts
2	12mm Lock Washers	2	12mm Plastic Retainers
2	12mm Flat Washer		
2	12mm Hex Nuts		

**Driver Side  
Mounting Bracket**



**Passenger Side  
Mounting Bracket**



### PROCEDURES:

1. REMOVE CONTENTS FROM BOX. VERIFY ALL PARTS ARE PRESENT. READ INSTRUCTIONS CAREFULLY BEFORE STARTING INSTALLATION.
2. Starting on the driver side of the vehicle, locate the slotted hole in the rear frame cross member (**Figure 1**).
3. Attach one of the Plastics Retainers half way onto one of the Bolt Plates (**Figure 2**), then insert Bolt Plate into slotted hole (**Figure 3**). Holding the exposed thread at the end of the Bolt Plate, spin the

## REAR BUMPER GUARD FOR TOYOTA FJ CRUISER 07-09

Plastic Retainer all the way to the frame (**Figure 4**). **IMPORTANT!** Do not attempt to insert Bolt Plate without Plastic Retainer into rear frame cross member, doing so Bolt Plate could fall into frame.

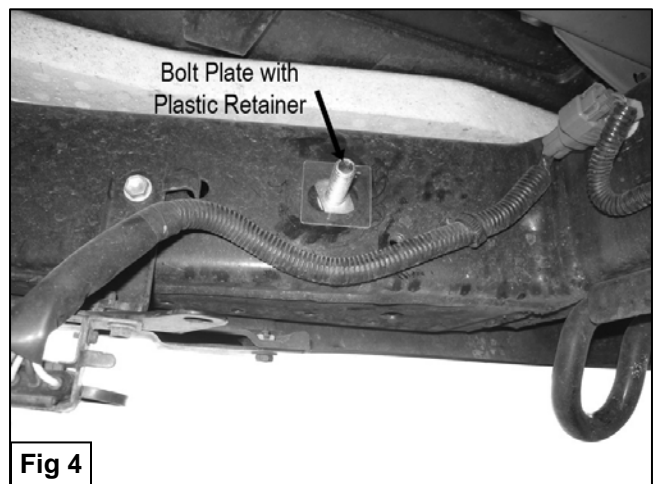
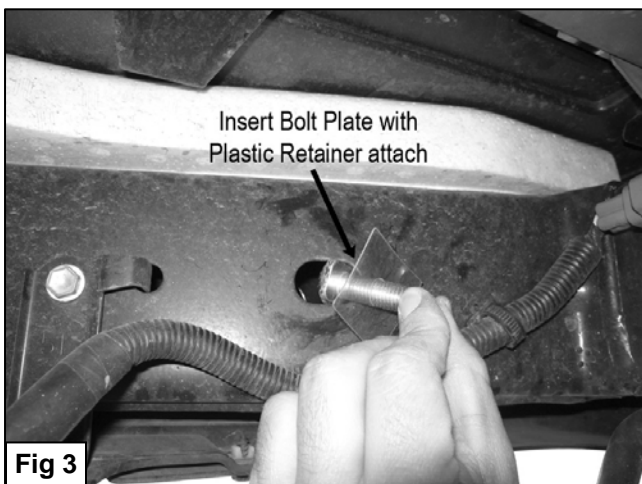
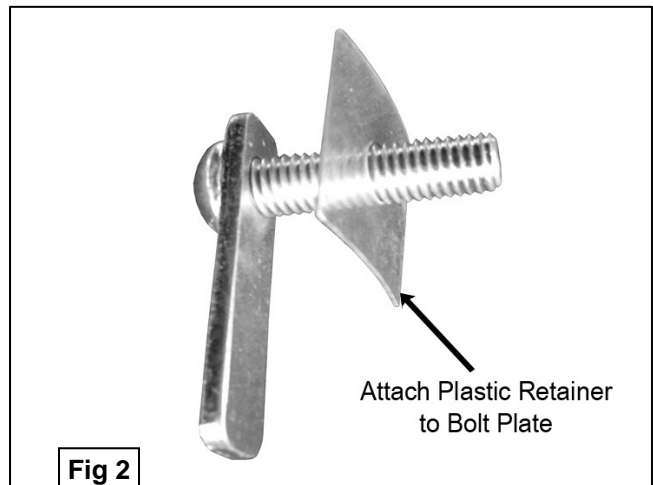
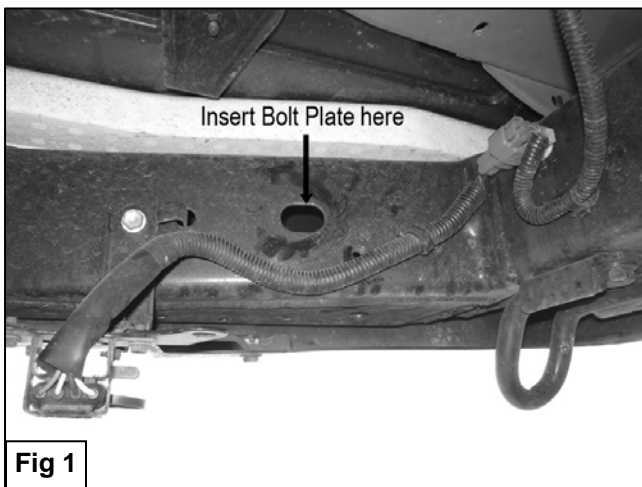
4. Partially attach driver side Mounting Bracket to already inserted Bolt Plate with the included (1) 12mm Lock Washer, (1) 12mm Flat Washer, and (1) 12mm Hex Nut (**Figure 5**).
5. Repeat steps 2 – 4 for passenger side.
6. With help position Rear Bumper Guard on the outside of Mounting Brackets. Use the included (4) 10mm x 40mm Hex Head Bolts, (4) 10mm Lock Washers, (4) 10mm Hex Nuts, and (8) 10mm Flat Washers to attach Rear Bumper Guard to Mounting Brackets (**Figure 6**).
7. Align Rear Bumper Guard properly; then tighten all hardware at this time.
8. Do periodic inspections to the installation to make sure that all hardware is secure and tight.

**To protect your investment**, wax this product after installing. Regular waxing is recommended to add a protective layer over the finish. Do not use any type of polish or wax that may contain abrasives that could damage the finish.

**For stainless steel:** Aluminum polish may be used to polish small scratches and scuffs on the finish. Mild soap may be used also to clean the Rear Bumper Guard.

**For gloss black finishes:** Mild soap may be used to clean the Rear Bumper Guard.

### (Driver Side Installation Shown)



REAR BUMPER GUARD FOR TOYOTA FJ CRUISER 07-09

