

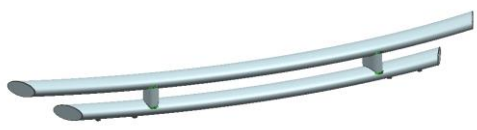



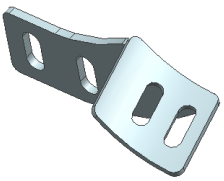





# INSTALLATION INSTRUCTION

S/S UNIVERSAL REAR BUMPER GUARD (DOUBLE LAYER) FOR JEEP GRAND CHEROKEE 11-15

## NOTICE:

- ≡ The figures here are for reference only and may have differences with the actual product you received, however they share the same assembly way.
- ≡ Please read the instruction completely for easy installation, which will also help you to avoid scratches or other potential damages to your appealing car.
- ≡ Please periodically check and retighten all the hardware and clean the investment for a refresh look.

## PART LIST

No.	Qty	Name	No.	Qty	Name
①	1	 Rear bumper guard	5	1	 Right bracket-B
②	1	 Left bracket-A	6	4	 M8*25 Hex bolt
③	1	 Right bracket-A	7	4	 M10*35 Hex bolt
			8	8	 D10 Flat washer
4	1	 Left bracket-B	9	4	 D10 Spring washer
			10	4	 D10 Hex nut

## ASSEMBLY PROCEDURE:

Step 1: Check all the contents are available in accordance with the above list

Step 2: Remove the factory bolts, and then install the Left bracket-B in vehicle bottom. Do not tighten all the bolts.

( Installation picture)

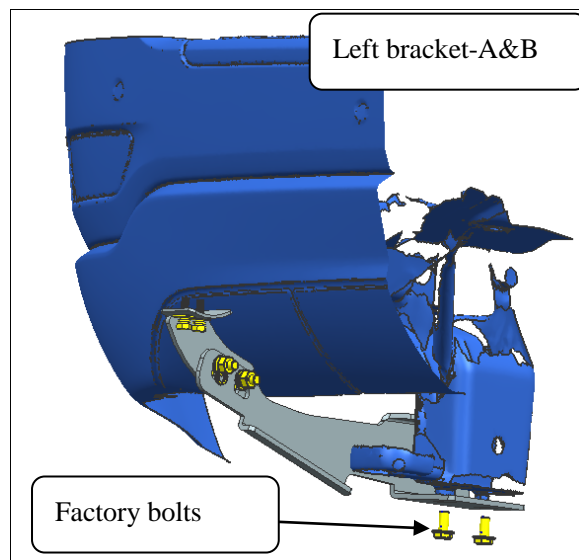
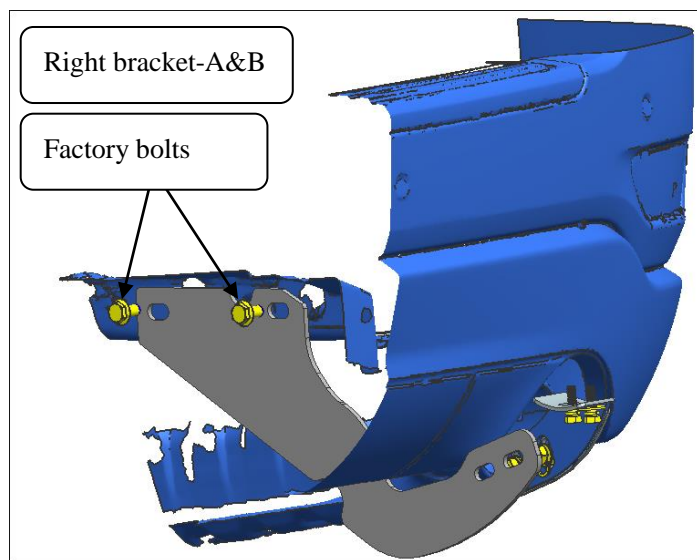
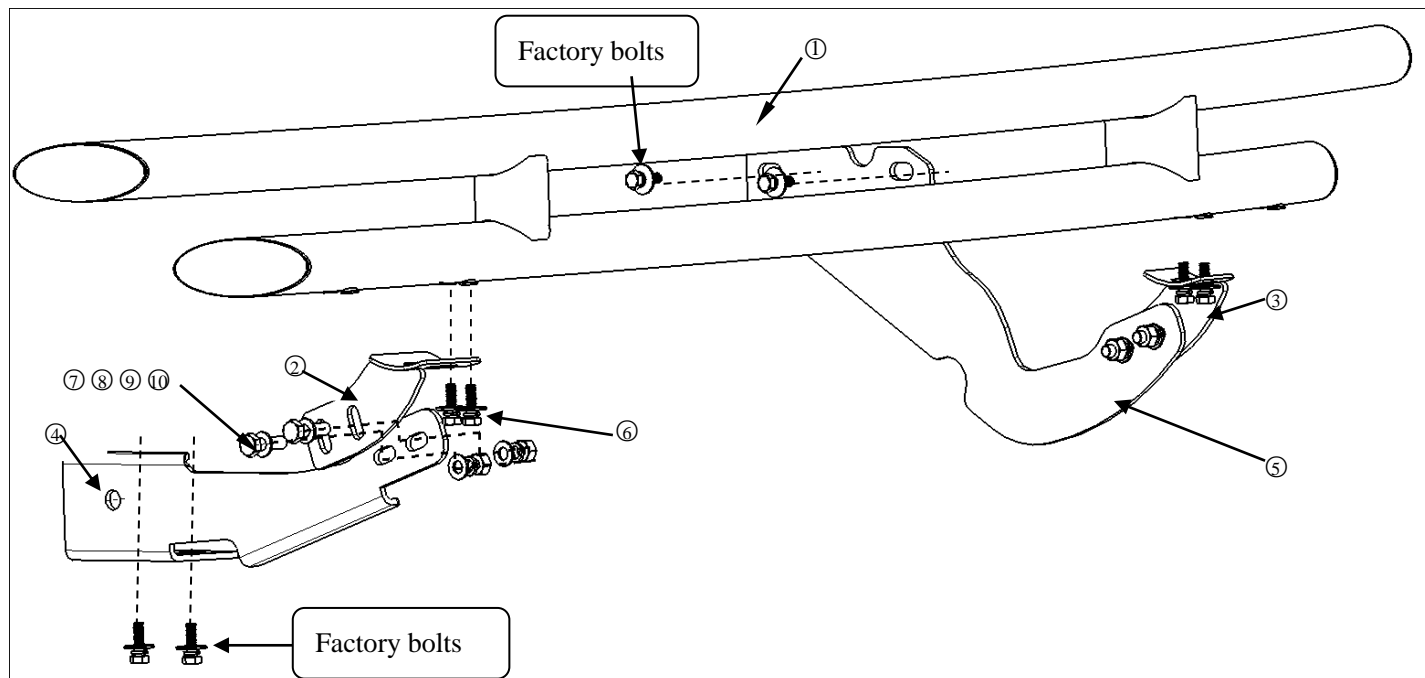
Step 3: Install the Right bracket-B in vehicle bottom. Do not tighten all the bolts. (Installation picture)

Step 4: Install the rear bar on brackets. (Installation picture)

Step 5: Test and make sure that the rear bar is steadily fixed, and then tighten all the hardware.

Step 6: Installation is finished.

Installation picture



**NOTE:** Any damages and losses caused by improper installation and application, goes beyond our quality warranty.