



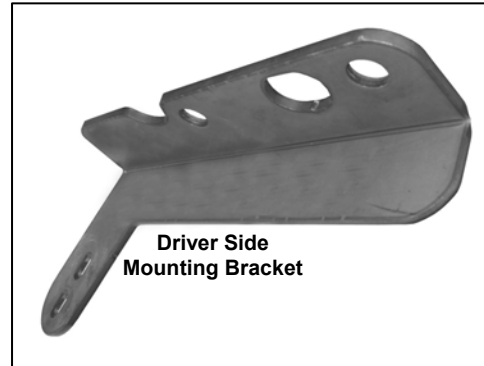
INSTALLATION INSTRUCTIONS

PART#: 8D071116SS\8D071116A
REAR BUMPER GUARD FOR DODGE NITRO 07-09



PARTS LIST:

1	Rear Bumper Guard	4	12-1.75mm x 35mm Hex Head Bolts
1	Driver/Left Mounting Bracket	4	12-1.75mm x 30mm Hex Head Bolts
1	Passenger/Right Mounting Bracket	4	12mm Nylock Nuts
		4	12mm Lock Washers
		12	12mm ID x37mm OD x 3mm Flat Washers



PROCEDURE:

- 1. REMOVE CONTENTS FROM BOX. VERIFY ALL PARTS ARE PRESENT. READ INSTRUCTIONS CAREFULLY BEFORE STARTING INSTALLATION.**
- 2. Vehicles equipped with towing hitch: NOTE:** When installing the Rear Bumper Guard mounting brackets, make sure to partially install one side first before continuing to the opposite side.
3. Remove the two passenger side towing hitch mounting bolts located towards the rear of the vehicle. Locate the passenger side Rear Bumper Guard Mounting Bracket and place it over towing hitch mounting bracket.
4. Secure Rear Bumper Guard and towing hitch to vehicle using the same hardware removed in the previous step.
5. Once the passenger side is partially secure, repeat steps 3 & 4 to proceed to the driver side.
- 6. Vehicles without towing hitch:** On the passenger side of the vehicle, locate the two factory threaded holes on the rear part of the frame.
7. Partially hang passenger side Mounting Bracket to vehicle using the included (2) 12mm x 35mm Hex Head Bolts, (2) 12mm Lock Washers, and (2) 12mm Flat Washers. Repeat this step for driver side Mounting Bracket.
8. With help position Rear Bumper Guard on the inner side of Mounting Brackets. Attach Rear Bumper Guard to Mounting Brackets using the included (4) 12mm x 30mm Hex Head Bolts, (4) 12mm Nylock Nuts, and (8) 12mm Flat Washers. Do not tighten at this time.
9. Align Rear Bumper Guard; and then tighten all hardware at this time.
10. Do periodic inspections to the installation to make sure that all hardware is secure and tight.

Factory Tow Hitch

Passenger Side Tow Hitch Mounting Bracket Shown



Mounting location for Rear Bumper Guard

Figure 1

Driver Side Mounting Bracket Shown

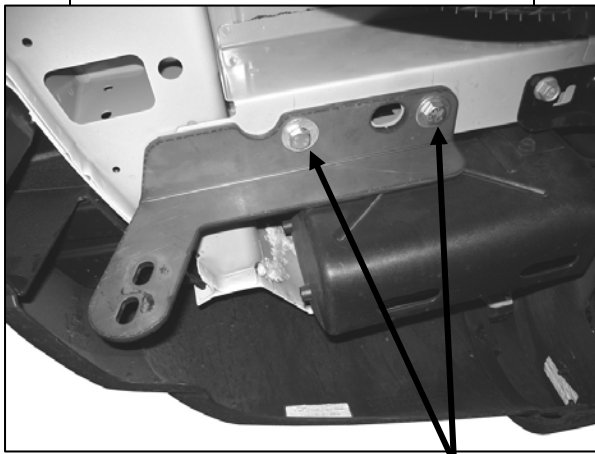


Figure 2

Passenger Side Mounting Bracket Shown

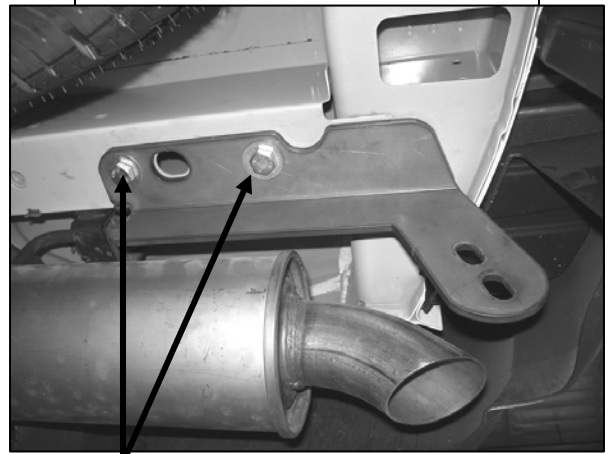


Figure 3

12mm x 35mm Hex Head Bolts
12mm Lock Washers
12mm Flat Washers
NOTE: Vehicles with towing hitch use factory bolts

Driver Side Double Tube Rear Bumper Guard Mounting Bracket Shown

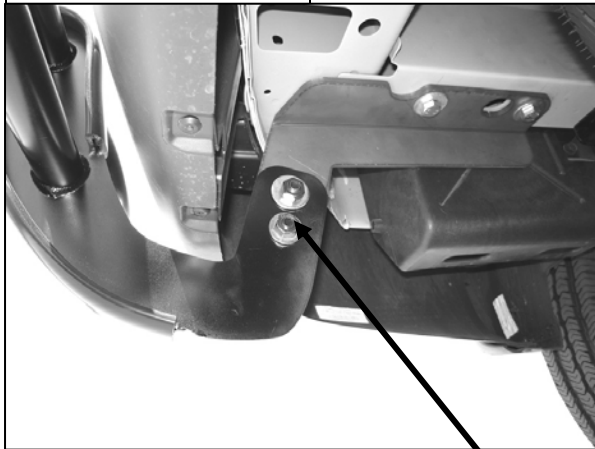


Figure 4

Passenger Side Single Tube Rear Bumper Guard Mounting Bracket Shown

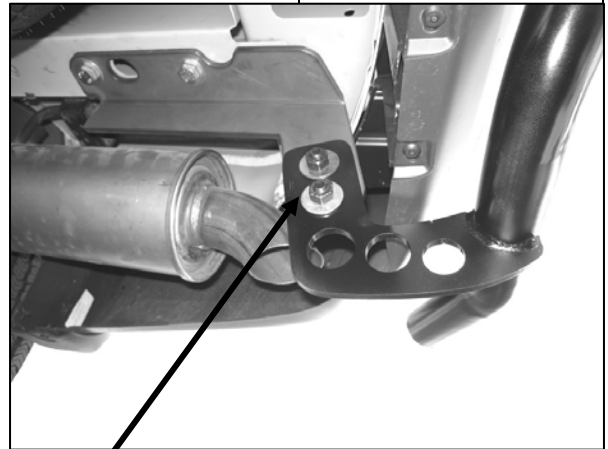


Figure 5

12mm x 30mm Hex Bolts
12mm Flat Washers
12mm Nylock Nuts