



INSTALLATION INSTRUCTIONS

PART#: 7TY98906SS\7G098906A
TAIL LIGHT GUARD FOR TOYOTA TUNDRA 07-13



PARTS LIST:

1	Driver Side Taillight Guard	4	6-1.00mm x 25mm Phillips Bolts
1	Passenger Side Taillight Guard	8	6mm ID x 18mm OD x 1.6 Flat Washers
2	Support Brackets	2	6-1.00mm x 20mm Phillips Bolts
2	4-.70 mm x 15mm Philips Bolts	2	6mm Nylock Nuts
2	4mm Lock Washers		
2	4mm ID x 9mm OD x 1mm Flat Washers		

PROCEDURE:

- 1. REMOVE CONTENTS FROM BOX. VERIFY ALL PARTS ARE PRESENT. READ INSTRUCTIONS CAREFULLY BEFORE STARTING INSTALLATION.**
2. Open the tailgate and remove the driver's side screws holding the taillight assembly.
3. Grasp the taillight assembly with one hand and pull gently. **NOTE:** Be sure to pull straight out towards the side of the vehicle to avoid possible damage. This is the same procedure required to change a burn out taillight bulb in the assembly. For more info see owner's manual on replacing burn taillight bulbs.
4. Once you have removed the taillight assembly, carefully disconnect the wire harness on the taillight assembly from vehicle and set aside.
5. Mount (1) Support Bracket onto factory hole on the vehicle using (1) 6mm x 20mm Phillips Bolt, (1) 6mm Nylock Nut, and (2) 6mm Flat Washer (Figure 1). Tighten at this time.
6. Re-connect the wire harness and carefully mount the taillight back onto vehicle.
7. Carefully position Taillight Guard onto vehicle. Use the included (2) 6-1.00 x 25mm Phillips Bolts and (2) 6mm Flat Washers to mount Taillight Guard to vehicle (Figure 2). Do not tighten at this time. **NOTE:** If Mounting Brackets don't fit properly, they can be adjusted to fit properly using a pair of pliers.
8. Attach Taillight Guard to Support Bracket using the included (1) 4-.70mm x 15mm Phillips Screw, (1) 4mm Lock Washer, (1) 4mm Flat Washer (Figure 3). Do not tighten at this time.
9. Align and center Taillight Guard; then tighten all hardware at this time.
- 10. IMPORTANT!** Carefully close the tailgate to make sure the Taillight Guard does not interfere with tailgate. If so, remove Taillight Guard and adjust the Mounting Brackets to fit properly.
11. Repeat steps 2-9 for passenger side Taillight Guard.
12. Do periodic inspections to the installation to make sure that all hardware is secure and tight.

(Driver Side Taillight Guard Installation Shown)

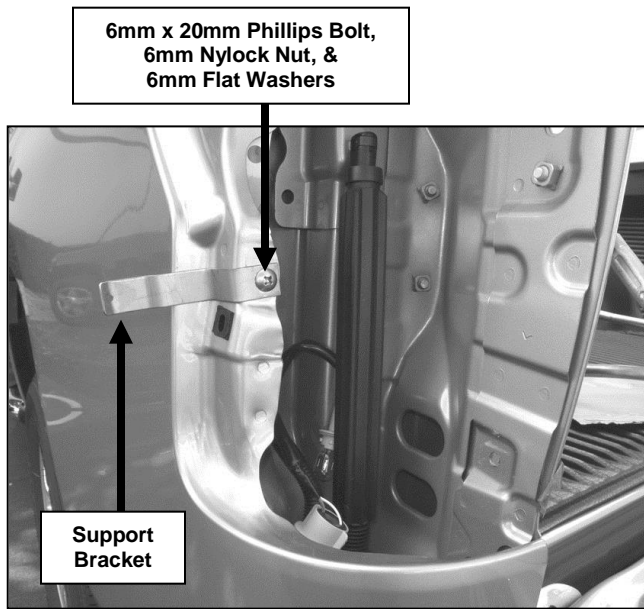


Figure 1

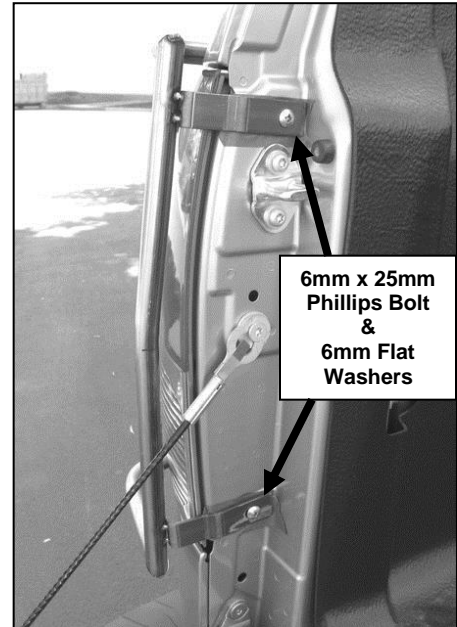


Figure 2

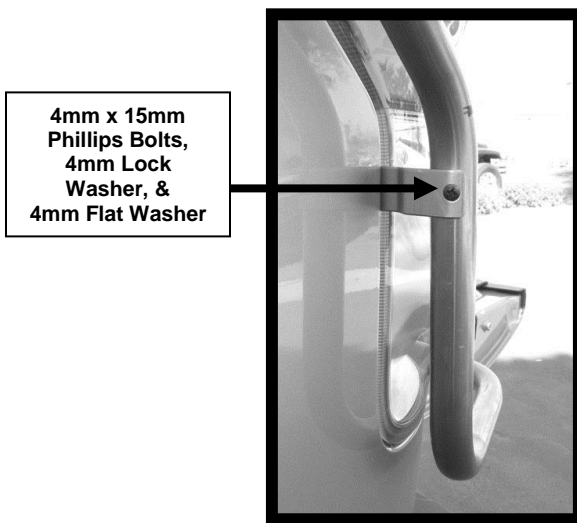


Figure 3

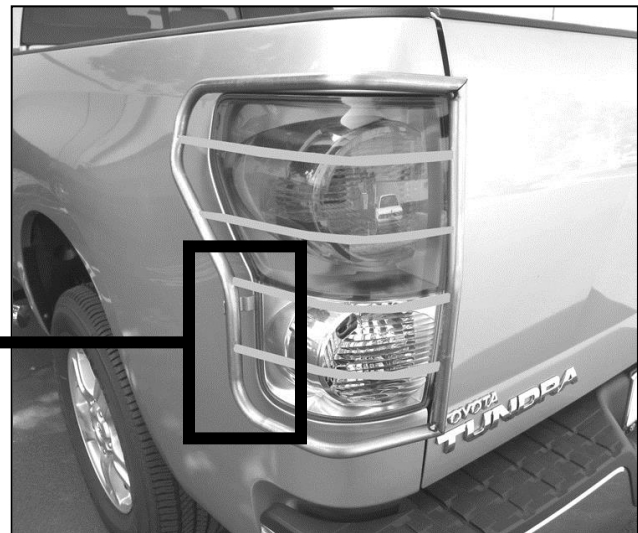


Figure 4