



INSTALLATION INSTRUCTIONS

**PART#: 17TU26MSS\17TU26MA
MODULAR GRILL GUARD FOR TOYOTA 4-RUNNER 03-08**



QTY	DESCRIPTION
1	guard, center section
1	brush guard, left side
1	brush guard, right side
1	wire guard insert, left side
1	wire guard insert, right side
1	lower support bracket-left
1	lower support bracket-right
1	hardware kit

NOTE: Please read this information before assembling. Check components received with components listed above. **NO DRILLING REQUIRED.** Complete step by step instruction sheets will be found on the following pages.

- 1st. Stage, mounting of guard to vehicle.
- 2nd. stage, attaching brush guards to center section.
- 3rd. stage, attaching wire head light guards.

IMPORTANT: To obtain correct installation, we recommend you to follow these step by step instructions carefully.

Illustrations are for reference only, styles vary with application. Please review the instruction sheet before proceeding to assemble product.

Please take care when assembling and installing this product to protect the finish and your investment. To protect your investment, wax this product after installing. Regular waxing is recommended. Do not use any type of polish or wax that contains abrasive that could damage the finish.

INSTALLATION INSTRUCTIONS

1ST STAGE

• 1 Set	Grille Guard	• 2 pc	10-1.50mm x 25mm Button Head Bolts
• 2 Set	Mounting Brackets	• 4 pc	10-1.50mm x 25mm Hex Bolts
• 1 Set	Rear Brackets	• 6 pc	10mm Nylock Nuts
• 2 Set	Top Bracket (LEFT & RIGHT, WHEN SITTING IN THE CAR)	• 10 pc	10mm Flat Washers
• 4 pc	8-125mm x 120mm Hex Bolts	• 6 pc	12-1.75mm x 30mm Hex Bolts
• 8 pc	8mm Nylock Nuts	• 6 pc	12mm Nylock Nuts
• 16 pc	8mm Flat Washers	• 12 pc	12mm Flat Washers
• 4 pc	8*25mm Hex Bolts		

PROCEDURE:

- 1. REMOVE CONTENTS FROM BOX. VERIFY ALL PARTS ARE PRESENT. READ INSTRUCTIONS CAREFULLY.**
- Locate the two existing holes on the front of the frame rail.
- Position Right Side Mounting Bracket onto frame rail. **NOTE:** Mounting Bracket mounts on the outer side of frame rails.
- Line up holes on the Mounting Bracket with holes on the frame rail. Secure Mounting Bracket with the included (2) 8-1.25mm x 120mm Hex Bolts, (2) 8mm Nylock Nuts, and (4) 8mm Flat Washers (Figure 1 & 2). Do not tighten at this time.
- Repeat steps 1-3 for Left side.
- Once Both Mounting Brackets are installed, proceed to install the Top Brackets. Insert flat side of Top Brackets through the upper section on the factory grille shell. Attach Top Brackets to Mounting Brackets by using the included (4) 10-1.50mm x 25mm Hex bolts, (4) 10mm Nylock Nuts, and (8) 10mm Flat Washers (Figure 3). Do not tighten at this time.
- With help position Grille Guard on the outer side of Mounting Brackets. Line up holes on the Mounting Bracket with holes on the Grille Guard.
- Attach Grille Guard to Mounting Brackets using the included (6) 12-1.75mm x 30mm Hex Bolts, (6) 12mm Nylock Nuts, and (12) 12mm Flat Washers (Figure 3). Do not tighten at this time.
- Once the bottom brackets are loosely installed, proceed to attach Grille Guard to Top Brackets by using the included (2) 10-1.50mm Button Head Bolts, (2) 10mm Nylock Nuts, and (2) 10mm Flat Washers (Figure 4). Do not tighten at this time.
- Level and adjust grille guard; then proceed to tighten all hardware at this time.
- Do periodic inspections to the installation to make sure that all hardware is secure and tight.

Bottom view of Right Side Mounting Bracket

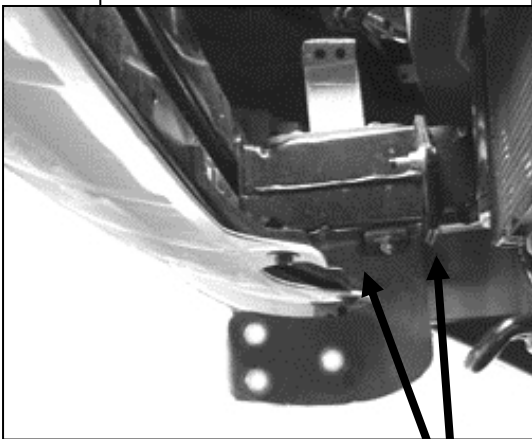


Figure 1

Top view of Right Side Mounting Bracket

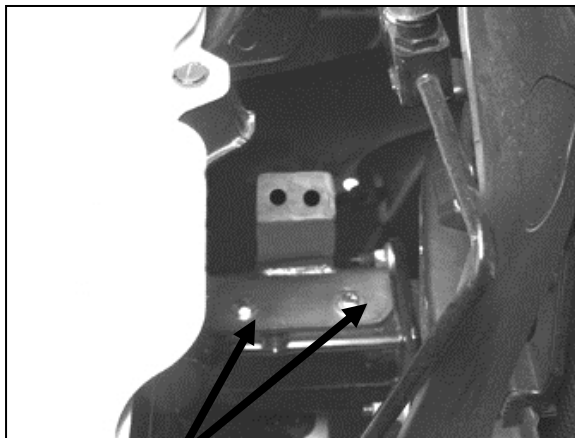
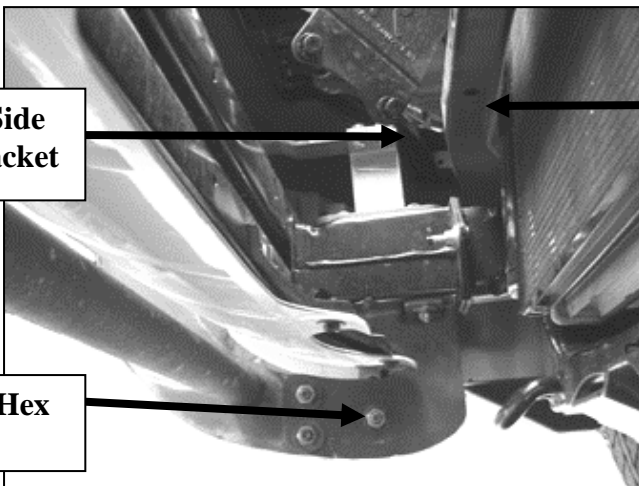


Figure 2

8mm x 120mm Hex Bolts,

Right Side Shown

Right Side Top Bracket



10mm x 25mm Hex Bolts,

12mm x 30mm Hex Bolts,

Right Side Shown

Figure 3

Installation Complete

Plate

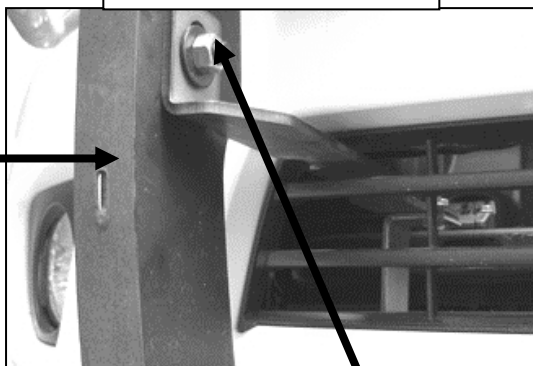


Figure 4

10mm x 25mm Button Bolt,



Figure 5

INSTALLATION INSTRUCTION

2nd STAGE

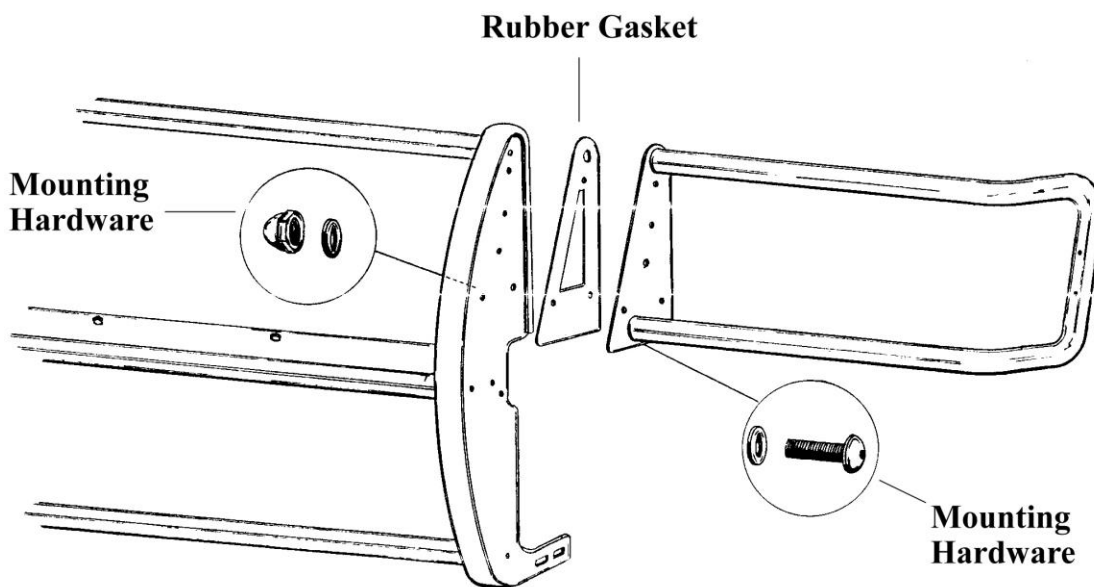
Step One: Locate hardware. Check contents with the hardware listed below.

QTY	DESCRIPTION
6	M8-1.25 x 20 button head bolts, stainless steel
6	M8-1.25 acorn nuts, stainless steel
12	M8 flat washers, stainless steel
2	rubber gaskets

Step Two: Securing brush guards to center section. Locate the following item's listed below.

QTY	DESCRIPTION
1	brush guard, left side
1	brush guard, right side

Assemble the brush guards to the center section of the guard as shown in illustration below. Use the hardware from step one to secure the parts together. Be sure to fully tighten all hardware at this time. Proceed ahead to stage four of the instruction sheet.



INSTALLATION INSTRUCTION

3rd STAGE

Step One: Locate hardware. Check contents with the hardware listed below.

QTY	DESCRIPTION
8	M6-1.00 x 25mm button head bolts, stainless steel
4	M6-1.00 acorn nuts, stainless steel
12	M6 flat washers, stainless steel
4	rubber gaskets

Step Two: Securing wire insert to brush guards. Locate the following item's listed below.

QTY	DESCRIPTION
2	wire guard insert, left & right side

Attach one rubber gasket to each end of the wire guard. Peel the paper backing off the rubber gasket. Place the gasket on the end of the bracket and press firmly till the gasket is secured in place.

Position the wire insert on the driver's side of the vehicle. Align the two holes in the bracket with the two holes in the brush guard as shown in illustration below. Using the hardware listed in step one, secure the wire insert to the brush guard. Be sure to fasten both ends before fully tightening hardware. Repeat this procedure on the opposite side of the vehicle. Be sure to use all hardware supplied and tighten all bolts.

