



INSTALLATION INSTRUCTIONS

PART#:17TN23MSS\17TN23MA

MODULAR GRILL GUARD FOR TOYOTA 4RUNNER 2/4WD 99-02

QTY	DESCRIPTION
1	guard, center section
1	brush guard, left side
1	brush guard, right side
1	wire guard insert, left side
1	wire guard insert, right side
1	lower support bracket-left
1	lower support bracket-right
1	hardware kit

NOTE: Please read this information before assembling. Check components received with components listed above. **NO DRILLING REQUIRED.** Complete step by step instruction sheets will be found on the following pages.

- 1st. Stage, mounting of guard to vehicle.
- 2nd. stage, attaching brush guards to center section.
- 3rd . stage, attaching wire head light guards.

IMPORTANT: To obtain correct installation, we recommend you to follow these step by step instructions carefully.

Illustrations are for reference only, styles vary with application. Please review the instruction sheet before proceeding to assemble product.

Please take care when assembling and installing this product to protect the finish and your investment. To protect your investment, wax this product after installing. Regular waxing is recommended. Do not use any type of polish or wax that contains abrasive that could damage the finish.

INSTALLATION INSTRUCTIONS

1ST STAGE

PARTS LIST

1x FRONT BAR	2x 5/16 S 5 HEX BOLTS
1x TOP MOUNTING BRACKET	2x 5/16 HEX NUTS
1x FRAME MOUNTING BRACKET PASSENGER SIDE	
1x FRAME MOUNTING BRACKET DRIVER SIDE	
4x 5/16 FLAT WASHERS	
6x 7/16 X 1 ¼ HEX BOLTS	6x 7/16 HEX NUTS
12x 7/16 FLAT WASHERS	

INSTALLING FRAME MOUNTING BRACKETS

1. Using the factory existing bolts, (there should be two of these bolts preside) 5/16 x 5 hex bolts, 5/16 hex nuts & 5/16 flat washers, provided in kit. Attach the mounting frame brackets as per diagrams.

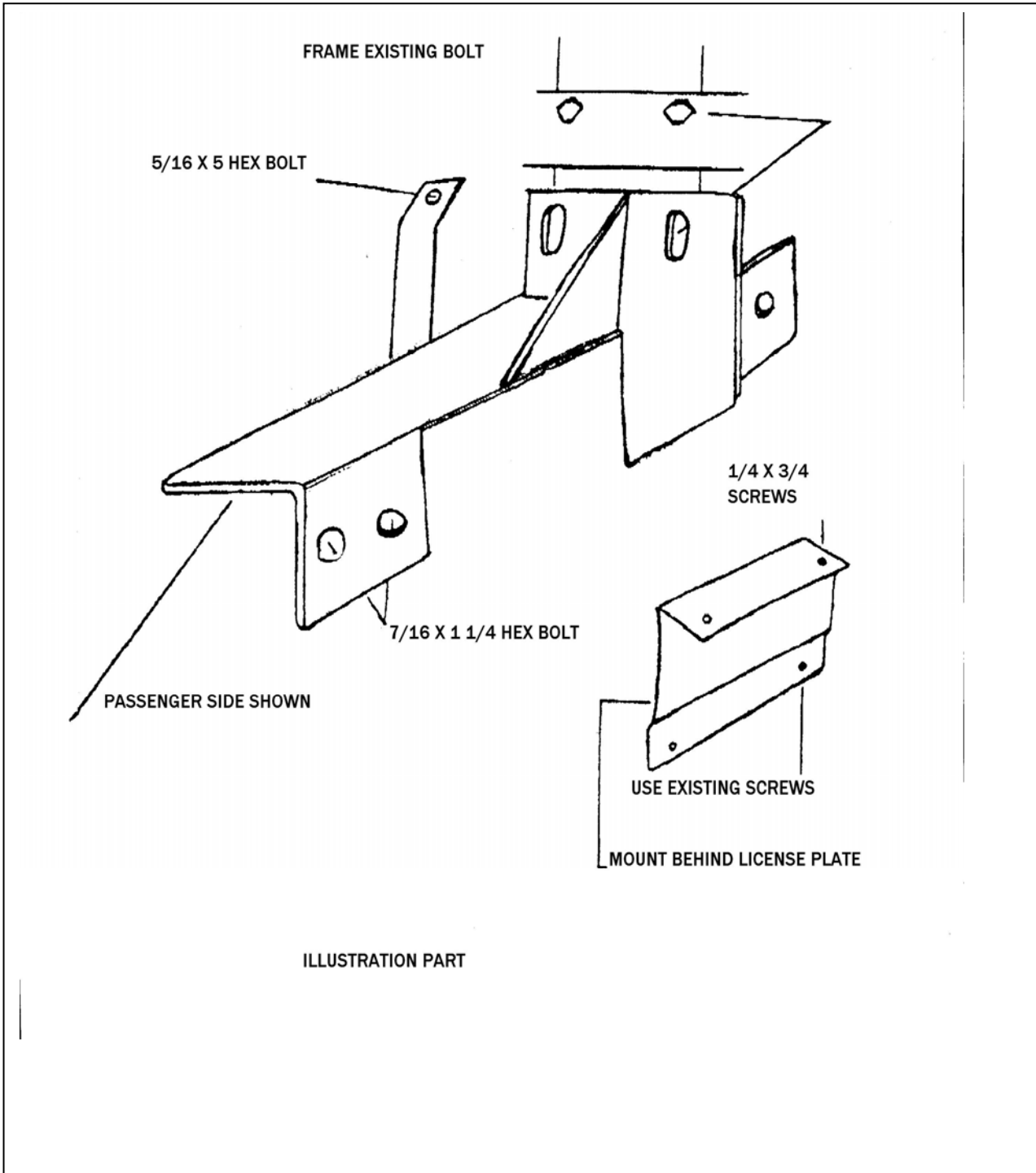
INSTALLING THE FRONT BAR

2. Line up the 3 holes on the lower portion of the front bar with the 3 holes on the frame //mounting brackets (outer edge) using the 7/16 x 1 ¼ hex bolts, hex nuts & flat washers to fasten the front bar to the mounting frame brackets. Once the front bar is attached to the mounting brackets align the left and right side of the front bar to the bumper.

INSTALLING THE TOP BRACKET

3. using the factory existing crews, ¼ x ¾ screws and ¼ hex nuts, attach top bracket behind license plate.
4. Once you are satisfied that the left and right side are equal distances from the bumper tighten all fasteners.

NOTE: IT IS ADVISABEL TO RE-CHECK ALL FASTENERS FOR TIGHTNESS AFTER ONE WEEK.



INSTALLATION INSTRUCTION

2nd STAGE

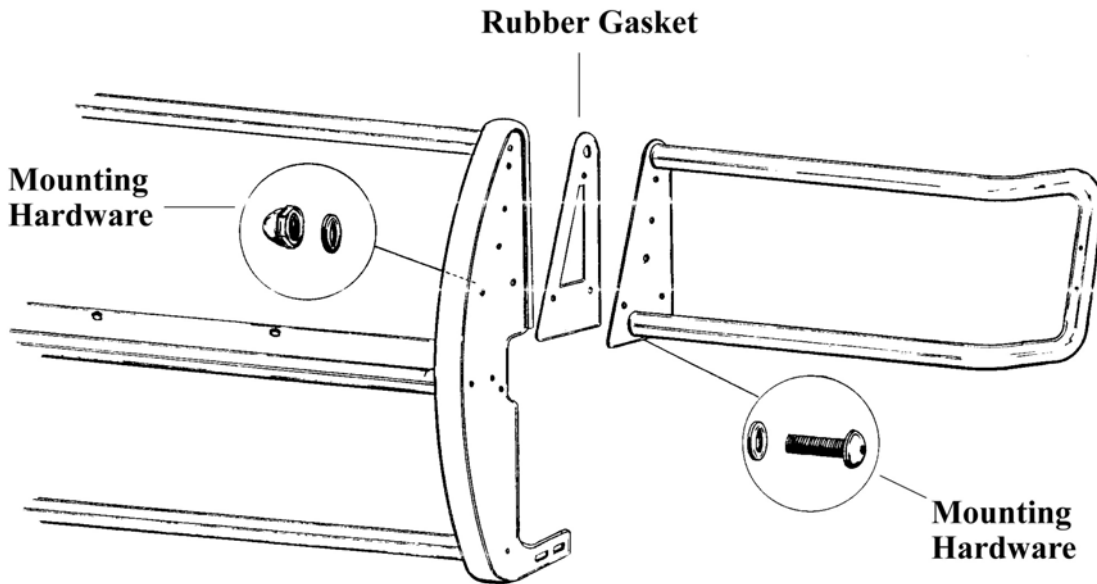
Step One: Locate hardware. Check contents with the hardware listed below.

QTY	DESCRIPTION
6	M8-1.25 x 20 button head bolts, stainless steel
6	M8-1.25 acorn nuts, stainless steel
12	M8 flat washers, stainless steel
2	rubber gaskets

Step Two: Securing brush guards to center section. Locate the following item's listed below.

QTY	DESCRIPTION
1	brush guard, left side
1	brush guard, right side

Assemble the brush guards to the center section of the guard as shown in illustration below. Use the hardware from step one to secure the parts together. Be sure to fully tighten all hardware at this time. Proceed ahead to stage four of the instruction sheet.



INSTALLATION INSTRUCTION

3rd STAGE

Step One: Locate hardware. Check contents with the hardware listed below.

QTY	DESCRIPTION
8	M6-1.00 x 25mm button head bolts, stainless steel
4	M6-1.00 acorn nuts, stainless steel
12	M6 flat washers, stainless steel
4	rubber gaskets

Step Two: Securing wire insert to brush guards. Locate the following item's listed below.

QTY	DESCRIPTION
2	wire guard insert, left & right side

Attach one rubber gasket to each end of the wire guard. Peel the paper backing off the rubber gasket. Place the gasket on the end of the bracket and press firmly till the gasket is secured in place.

Position the wire insert on the driver's side of the vehicle. Align the two holes in the bracket with the two holes in the brush guard as shown in illustration below. Using the hardware listed in step one, secure the wire insert to the brush guard. Be sure to fasten both ends before fully tightening hardware. Repeat this procedure on the opposite side of the vehicle. Be sure to use all hardware supplied and tighten all bolts.

