



INSTALLATION INSTRUCTIONS

**PART # 17T80202MSS\17T80202MA
MODULAR GRILL GUARD
TOYOTA 4 RUNNER 96-98/TACOMA 98-00**

QTY	DESCRIPTION
1	guard, center section
1	brush guard, left side
1	brush guard, right side
1	wire guard insert, left side
1	wire guard insert, right side
1	lower support bracket-left
1	lower support bracket-right
1	hardware kit
1	hood bar

NOTE: Please read this information before assembling. Check components received with components listed above. **NO DRILLING REQUIRED.** Complete step by step instruction sheets will be found on the following pages.

- 1st. Stage, mounting of guard to vehicle.
- 2nd. stage, attaching brush guards to center section.
- 3rd. stage, attaching hood bar.
- 4th. stage, attaching wire head light guards.

IMPORTANT: To obtain correct installation, we recommend you to follow these step by step instructions carefully.

Illustrations are for reference only, styles vary with application. Please review the instruction sheet before proceeding to assemble product.

Please take care when assembling and installing this product to protect the finish and your investment. To protect your investment, wax this product after installing. Regular waxing is recommended. Do not use any type of polish or wax that contains abrasive that could damage the finish.

INSTALLATION INSTRUCTIONS

1ST STAGE

PARTS LIST

- | | |
|-------------------------|------------------------------|
| 1 – Front Bar | 6 – 7/16" x 1-1/4" Hex bolts |
| 2 – Frame brackets | 6 – 7/16" Hex nuts |
| 12 – 7/16" Flat washers | |

INSTALLATION OF BOTTOM FRAME BRACKET

Remove tow hooks from front of vehicle.

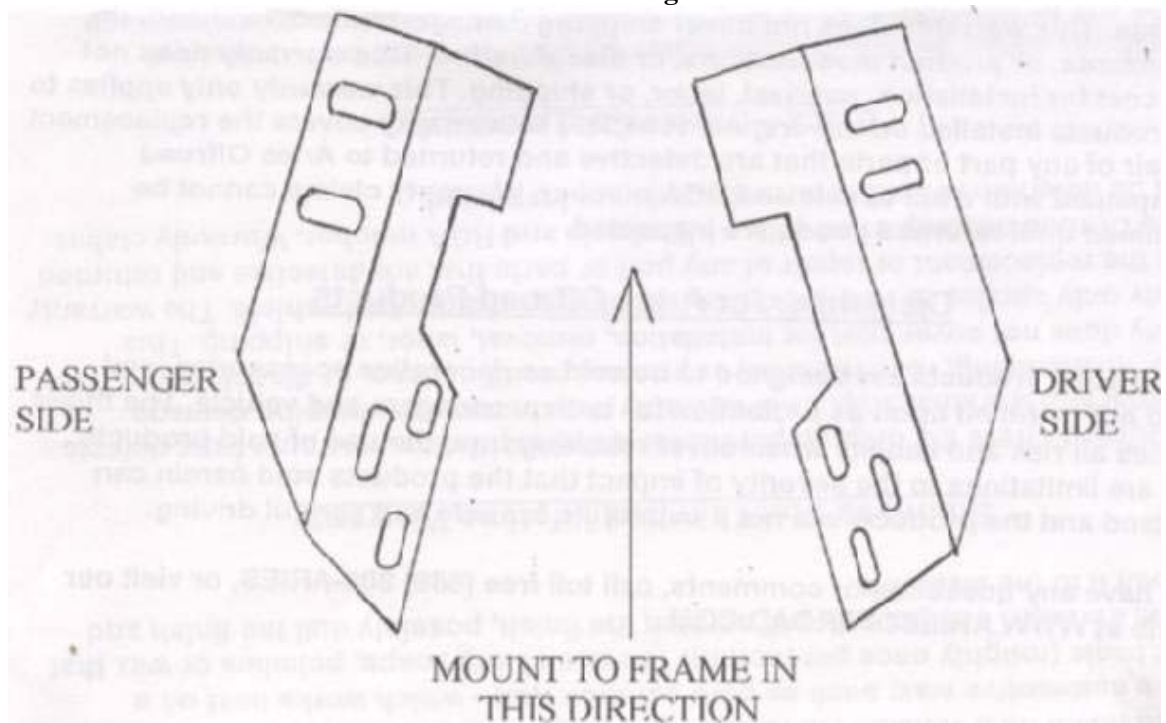
Using the bolts that held the tow hooks in place (two bolts per hook) attach the mounting bracket as per the diagram below. Do not fasten bolts too tightly to allow you to adjust the alignment.

INSTALLATION OF FRONT BAR

Line up the three holes on the lower portion of the front bar with the three holes on the frame mounting brackets (outer edge). Using the 7/16" Hex bolts, nuts and washers, fasten the front bar to the mounting brackets, leaving loose for adjustment.

Once the front bar is attached to the mounting brackets, align until satisfied with fit and balance, and tighten all fasteners.

NOTE: It is advisable to re-check all fasteners for tightness after one week.



INSTALLATION INSTRUCTION

2nd STAGE

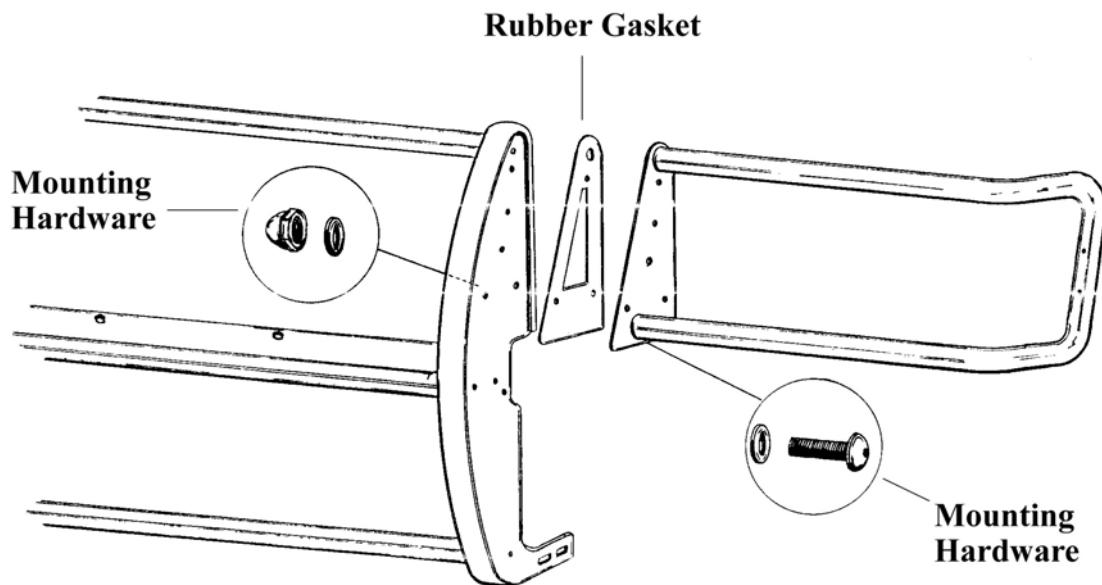
Step One: Locate hardware. Check contents with the hardware listed below.

QTY	DESCRIPTION
6	M8-1.25 x 20 button head bolts, stainless steel
6	M8-1.25 acorn nuts, stainless steel
12	M8 flat washers, stainless steel
2	rubber gaskets

Step Two: Securing brush guards to center section. Locate the following item's listed below.

QTY	DESCRIPTION
1	brush guard, left side
1	brush guard, right side

Assemble the brush guards to the center section of the guard as shown in illustration below. Use the hardware from step one to secure the parts together. Be sure to fully tighten all hardware at this time. Proceed ahead to stage four of the instruction sheet.



INSTALLATION INSTRUCTION

3rd STAGE

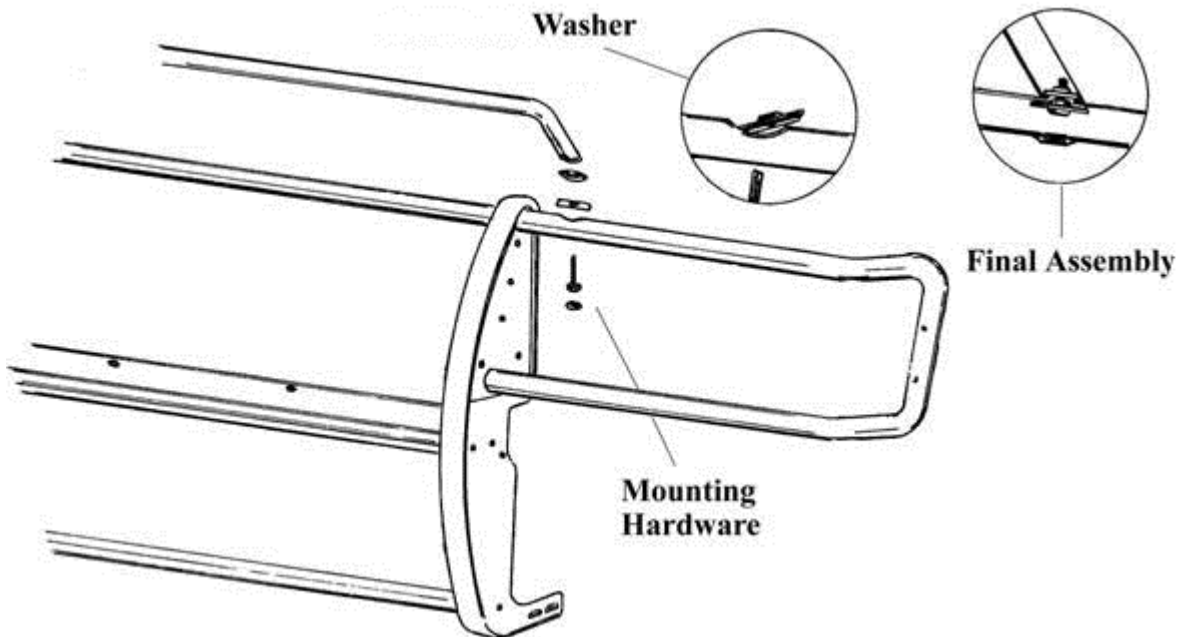
Step One: Locate hardware. Check contents with the hardware listed below.

QTY	DESCRIPTION
2	M6-1.00 x 25mm Button Head Bolt, stainless steel
2	rubber gaskets (may not be included)
2	plastic plugs (may not be included)

Step Two: Securing hood bar to brush guards. Locate the following item listed below.

QTY	DESCRIPTION
1	hood bar

Using the hardware from step one apply loctite (not included) on thread to part numbers M6 screw, secure the hood bar to the brush guards as shown in the illustration below. Fully tighten all hardware, then seal the exposed holes with the plastic plugs. Fasten each end before fully tightening the hardware. Proceed ahead to stage four of the instruction sheet.



INSTALLATION INSTRUCTION

4th STAGE

Step One: Locate hardware. Check contents with the hardware listed below.

QTY	DESCRIPTION
8	M6-1.00 x 25mm button head bolts, stainless steel
4	M6-1.00 acorn nuts, stainless steel
12	M6 flat washers, stainless steel
4	rubber gaskets

Step Two: Securing wire insert to brush guards. Locate the following item's listed below.

QTY	DESCRIPTION
2	wire guard insert, left & right side

Attach one rubber gasket to each end of the wire guard. Peel the paper backing off the rubber gasket. Place the gasket on the end of the bracket and press firmly till the gasket is secured in place.

Position the wire insert on the driver's side of the vehicle. Align the two holes in the bracket with the two holes in the brush guard as shown in illustration below. Using the hardware listed in step one, secure the wire insert to the brush guard. Be sure to fasten both ends before fully tightening hardware. Repeat this procedure on the opposite side of the vehicle. Be sure to use all hardware supplied and tighten all bolts.

