



INSTALLATION INSTRUCTIONS

PART#: 17SG598MSS\17SG598MA
MODULAR GRILL GUARD FOR TOYOTA LANDCRUISER 98-07

QTY	DESCRIPTION
1	guard, center section
1	brush guard, left side
1	brush guard, right side
1	wire guard insert, left side
1	wire guard insert, right side
1	lower support bracket-left
1	lower support bracket-right
1	hardware kit

NOTE: Please read this information before assembling. Check components received with components listed above. **NO DRILLING REQUIRED.** Complete step by step instruction sheets will be found on the following pages.

- 1st. Stage, mounting of guard to vehicle.
- 2nd. stage, attaching brush guards to center section.
- 3rd . stage, attaching wire head light guards.

IMPORTANT: To obtain correct installation, we recommend you to follow these step by step instructions carefully.

Illustrations are for reference only, styles vary with application. Please review the instruction sheet before proceeding to assemble product.

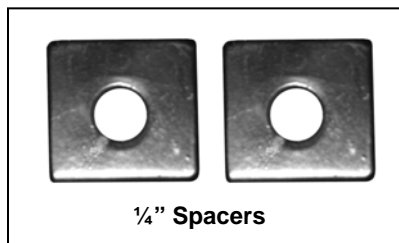
Please take care when assembling and installing this product to protect the finish and your investment. To protect your investment, wax this product after installing. Regular waxing is recommended. Do not use any type of polish or wax that contains abrasive that could damage the finish.

INSTALLATION INSTRUCTIONS

1ST STAGE

PARTS LIST:

1	Grille Guard	2	10-1.50mm x 25mm Allen Head Bolt
1	Driver/Left Mounting Bracket	2	10mm Nylock Nuts
1	Passenger/Right Mounting Bracket	2	10mm ID x 30mm x 2.5mm Flat Washers
1	Driver/Left Top Bracket	2	12-1.75mm x 140mm Hex Head Bolts
1	Passenger/Right Top Bracket	6	12-1.75mm x 40mm Hex Head Bolts
2	¼" Spacers	8	12mm Nylock Nuts
		16	12mm ID x 24mm OD x 2.5mm Flat Washers



PROCEDURE:

- 1. REMOVE CONTENTS FROM BOX. VERIFY ALL PARTS ARE PRESENT. READ INSTRUCTIONS CAREFULLY BEFORE STARTING INSTALLATION.**
2. From underside of vehicle, remove the factory tow hook and tie down brackets from frame. Notice at the end of each chassis member there is a hole that traverses from top to bottom.
3. Insert (1) 12mm x 140mm Hex Head Bolt through the bottom hole and fasten both driver side Top Bracket and driver side Mounting Bracket as shown in **Figure 1 & 2**. Use the factory bolt to attach the rear hole in the Mounting Bracket. **NOTE:** To re-install the factory tie down, you would need to reverse it and use the included ¼" Spacer on the rear factory bolt (inner bolt). Do not tighten Brackets all the way now, to be able to make adjustments later when installing Grille Guard.
4. Repeat step 3 for passenger side for Top and Mounting Bracket. **NOTE:** The J-Hook can be reinstalled by reversing it as well.
5. Once the Mounting Brackets are installed proceed to install the Grille Guard. With help position Grille Guard on the outer side of Top and Mounting Brackets. Use the included (6) 12mm x 40mm Hex Head Bolts, (6) 12mm Nylock Nuts, and (12) 12mm Flat Washers. Do not tighten at this time (**Figure 2**).
6. Attach Grille Guard to Top Brackets using the included (2) 10mm x 25mm Allen Bolts, (2) 10mm Nylock Nuts, and (2) 10mm Flat Washers (**Figure 2**).
7. Adjust the Grille Guard properly, and then tighten all hardware at this time.
8. Do periodic inspections to the installation to make sure that all hardware is secure and tight.

To protect your investment, wax this product after installing. Regular waxing is recommended to add a protective layer over the finish. Do not use any type of polish or wax that may contain abrasives that could damage the finish.

For stainless steel: Aluminum polish may be used to polish small scratches and scuffs on the finish. Mild soap may be used also to clean the Grille Guard.

For gloss black finishes: Mild soap may be used to clean the Grille Guard.

FIGURE 1

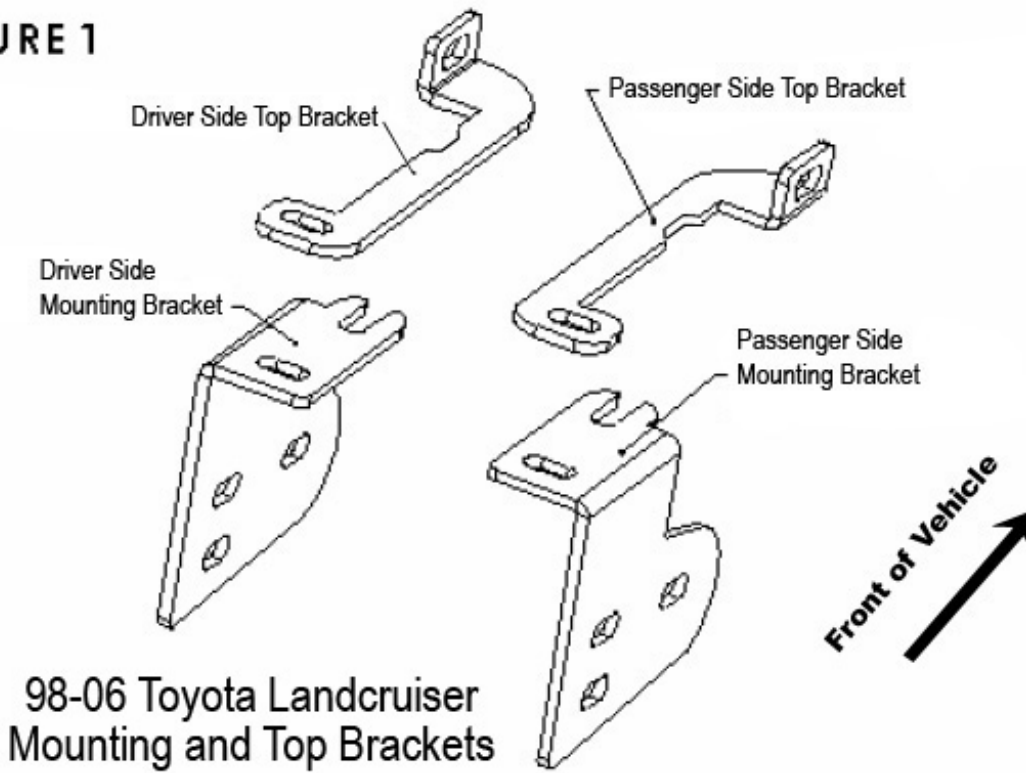
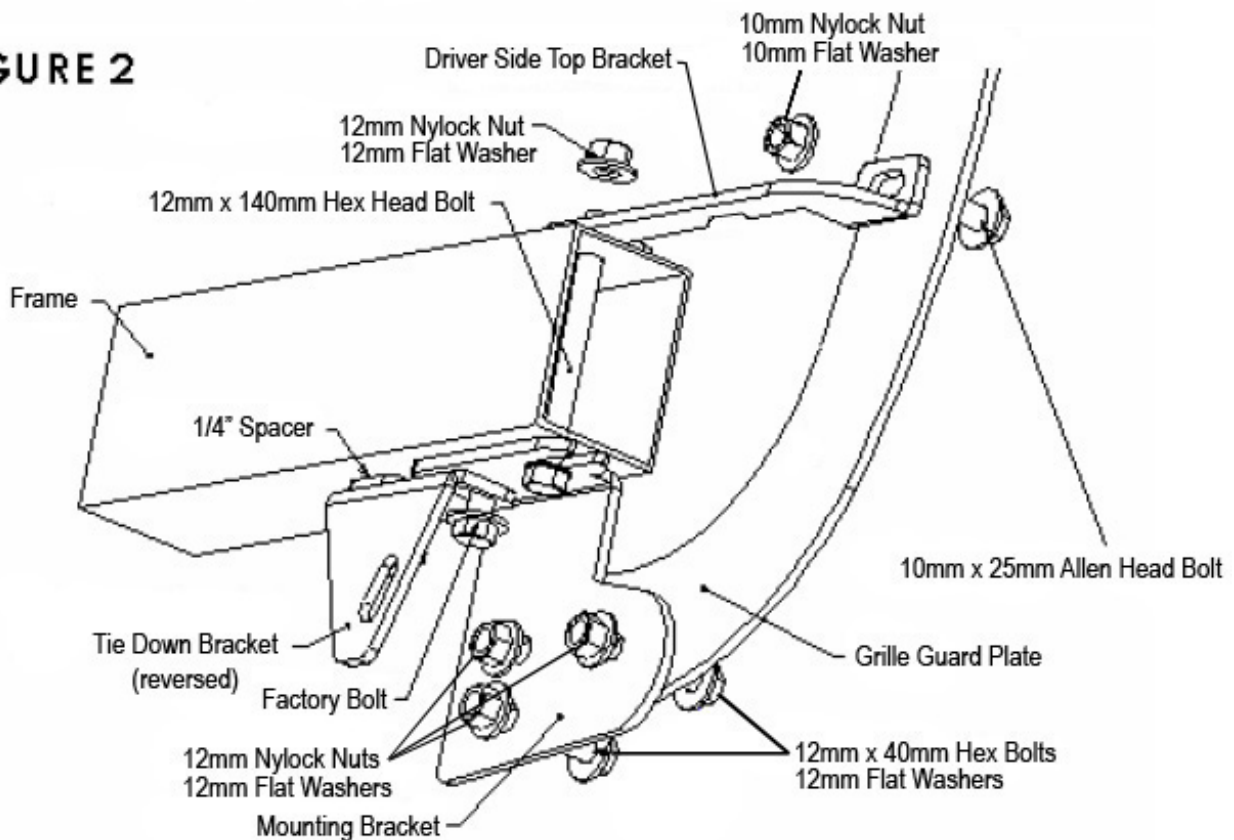


FIGURE 2



INSTALLATION INSTRUCTION

2nd STAGE

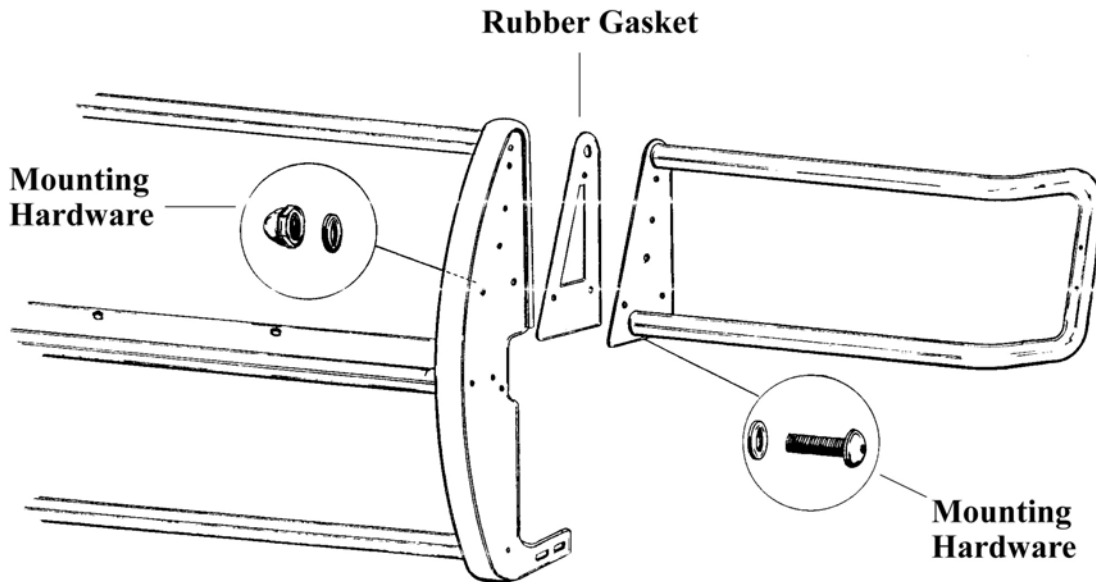
Step One: Locate hardware. Check contents with the hardware listed below.

QTY	DESCRIPTION
6	M8-1.25 x 20 button head bolts, stainless steel
6	M8-1.25 acorn nuts, stainless steel
12	M8 flat washers, stainless steel
2	rubber gaskets

Step Two: Securing brush guards to center section. Locate the following item's listed below.

QTY	DESCRIPTION
1	brush guard, left side
1	brush guard, right side

Assemble the brush guards to the center section of the guard as shown in illustration below. Use the hardware from step one to secure the parts together. Be sure to fully tighten all hardware at this time. Proceed ahead to stage four of the instruction sheet.



INSTALLATION INSTRUCTION

3rd STAGE

Step One: Locate hardware. Check contents with the hardware listed below.

QTY	DESCRIPTION
8	M6-1.00 x 25mm button head bolts, stainless steel
4	M6-1.00 acorn nuts, stainless steel
12	M6 flat washers, stainless steel
4	rubber gaskets

Step Two: Securing wire insert to brush guards. Locate the following item's listed below.

QTY	DESCRIPTION
2	wire guard insert, left & right side

Attach one rubber gasket to each end of the wire guard. Peel the paper backing off the rubber gasket. Place the gasket on the end of the bracket and press firmly till the gasket is secured in place.

Position the wire insert on the driver's side of the vehicle. Align the two holes in the bracket with the two holes in the brush guard as shown in illustration below. Using the hardware listed in step one, secure the wire insert to the brush guard. Be sure to fasten both ends before fully tightening hardware. Repeat this procedure on the opposite side of the vehicle. Be sure to use all hardware supplied and tighten all bolts.

