



# **INSTALLATION INSTRUCTIONS**

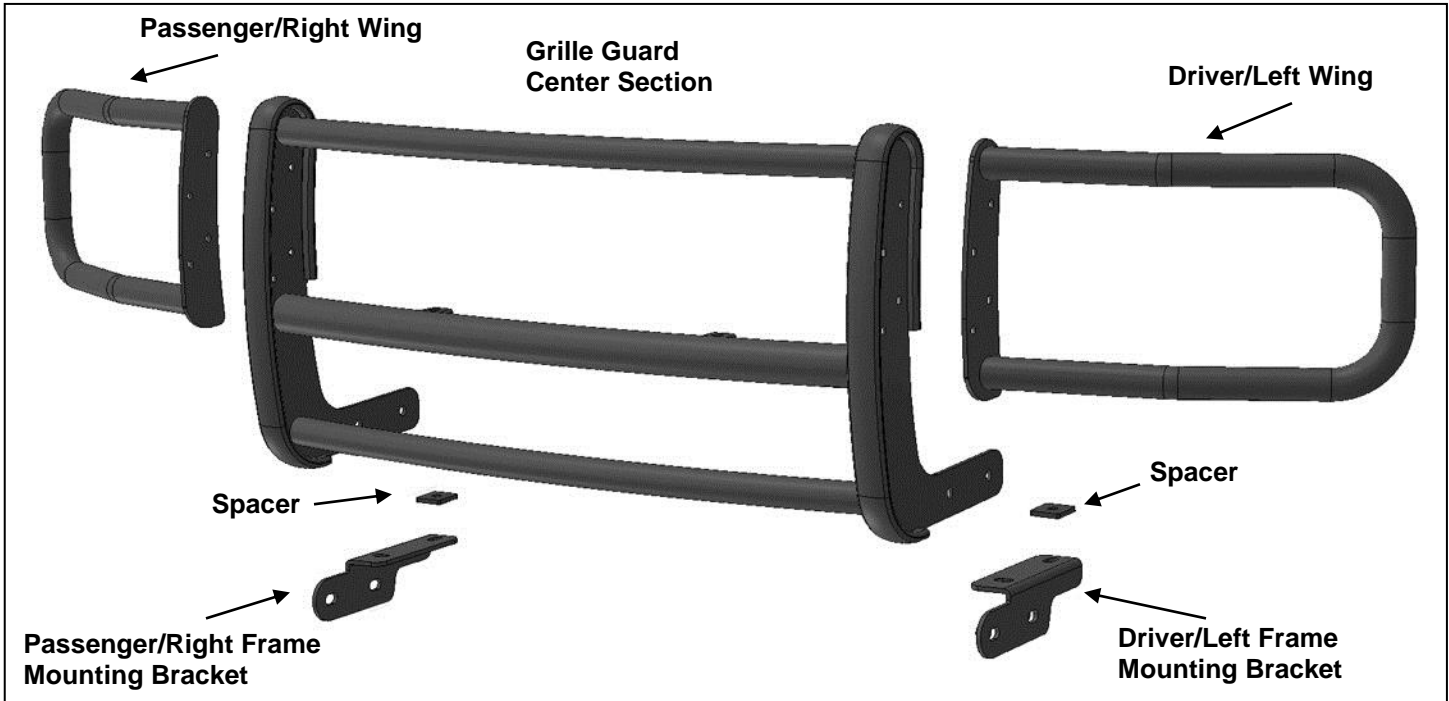
**PART#: 17NINVMA**

**SPARTAN GRILLE GUARD**

**2012-16 NISSAN NV 1500/2500/3500 VAN (FULL SIZE)**

**PARTS LIST:**

1	Spartan Grille Guard Center	12	12mm ID x 32mm OD x 3mm Flat Washer
1	Driver/Left Wing	8	12mm Lock Washers
1	Passenger/Right Wing	4	12mm Hex Nuts
1	Driver/Left Frame Mounting Bracket	2	12mm x 42mm x 42mm x 5.75mm Square Spacers
1	Passenger/Right Frame Mounting Bracket	8	8-1.25mm x 30mm Hex Bolts
4	12-1.25mm x 40mm <b>Special Fine Thread Hex Bolts</b>	16	8mm x 24mm OD x 2mm Flat Washers
4	12-1.75mm x 40mm Hex Bolts	8	8-1.25 Nylon Lock Nuts



**PROCEDURE:**

**REMOVE CONTENTS FROM BOX. VERIFY ALL PARTS ARE PRESENT. READ INSTRUCTIONS CAREFULLY BEFORE STARTING INSTALLATION. ASSISTANCE IS RECOMMENDED.**

It may be necessary to remove/relocate front license plate and license plate bracket. It is not required, but strongly recommended. If local/state law requires a license plate, license plate relocation kit is available.

1. Start installation under the driver side front of the vehicle, **(Figure 1)**. Locate and remove the driver side factory tow hook, (if equipped). **NOTE:** Tow Hooks cannot be reinstalled with the Grille Guard.
2. Select the driver side Frame Mounting Bracket and (1) Square Spacer, **(Figure 2)**. Bolt the Bracket to the forward threaded hole, (for tow hook), with (1) 12-1.25mm x 40mm **Special Fine Thread Hex Bolt**, (1) 12mm Lock Washer and (1) 12mm Flat Washer, **(Figure 2)**. **VERY IMPORTANT:** Use only the provided **12-1.25mm x 40mm Fine Thread Hex Bolts** to bolt the Brackets to the vehicle or damage to the frame may result. Leave loose at this time.
3. Line up the Spacer Plate with the rear hole in the frame. Line up the rear mounting hole in the Bracket with the Spacer and frame. Insert (1) 12-1.25mm x 40mm **Special Fine Thread Hex Bolt**, (1) 12mm Lock Washer and (1) 12mm Flat Washer through the Bracket, the Spacer and into the frame, **(Figure 2 & 3)**. Snug but do not fully tighten the hardware attaching the Bracket to the frame at this time.
4. Repeat **Steps 1—3** for passenger side Frame Bracket installation.
5. With assistance, position the Grille Guard center section onto the outside of the Mounting Brackets. Attach the Grille Guard to the Mounting Brackets with (4) 12-1.75mm x 40mm Coarse Thread Hex Bolts, (8) 12mm Flat Washers, (4) 12mm Lock Washers and (4) 12mm Hex Nuts, **(Figures 4—6)**. Do not tighten at this time. Adjust the Bracket locations as required for proper fit.

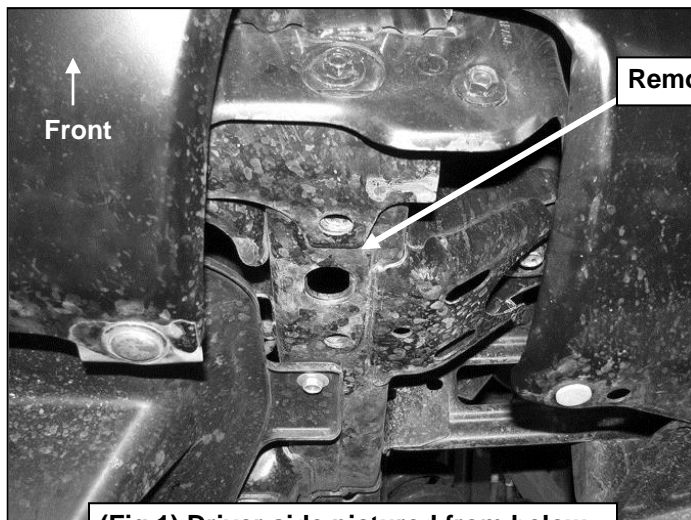
6. Next, select the driver side outer Wing. Attach the Wing to the Center Section with (4) 8mm x 30mm Hex Bolts, (8) 8mm Flat Washers and (4) 8mm Nylon Lock Nuts, **(Figure 7)**.
7. Repeat **Step 6** to install the passenger side Wing. Tighten all Wing hardware only at this time.
8. Level and adjust the Grille Guard and fully tighten all of the hardware.
9. Do periodic inspections to the installation to make sure that all hardware is secure and tight.

**To protect your investment**, wax this product after installing. Regular waxing is recommended to add a protective layer over the finish. Do not use any type of polish or wax that may contain abrasives that could damage the finish.

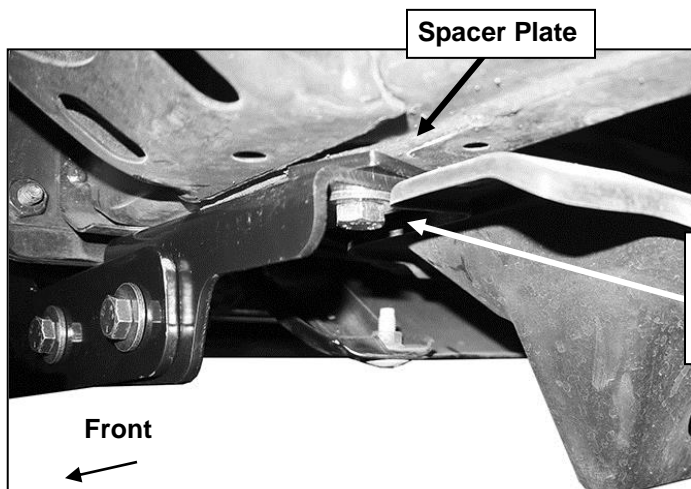
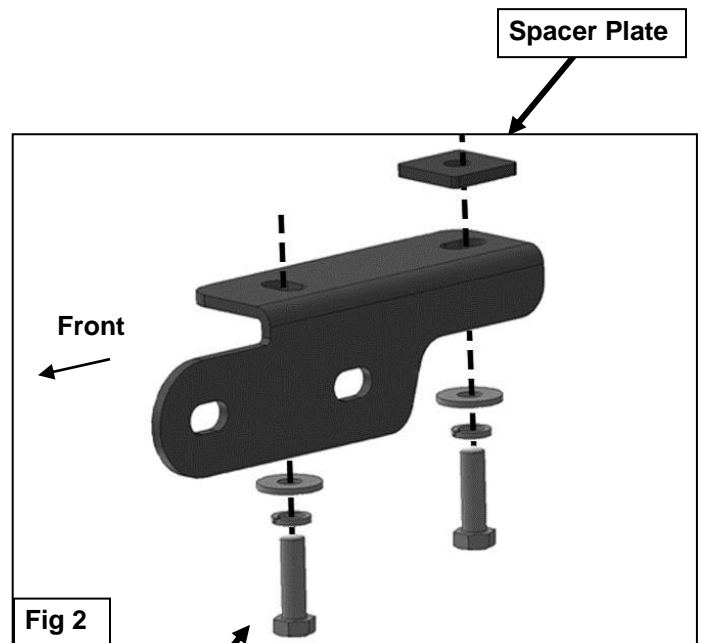
**For stainless steel:** Aluminum polish may be used to polish small scratches and scuffs on the finish. Mild soap may be used also to clean the Grille Guard.

**For gloss black finishes:** Mild soap may be used to clean the Grille Guard.

### Driver Side installation Pictured



(Fig 1) Driver side pictured from below

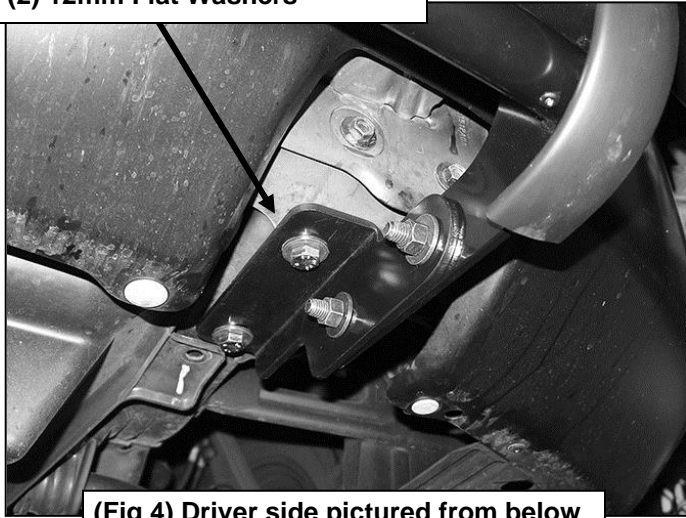


(Fig 3) Driver side pictured from below vehicle.

- (2) 12-1.25mm x 40mm Special Fine Thread Hex Bolts
- (2) 12mm Lock Washers
- (2) 12mm Flat Washers

### Driver side installation pictured

- (2) 12-1.25mm x 40mm Special Fine Thread Hex Bolts
- (2) 12mm Lock Washers
- (2) 12mm Flat Washers



(Fig 4) Driver side pictured from below

- (2) 12-1.25mm x 40mm Special Fine Thread Hex Bolts
- (2) 12mm Lock Washers
- (2) 12mm Flat Washers

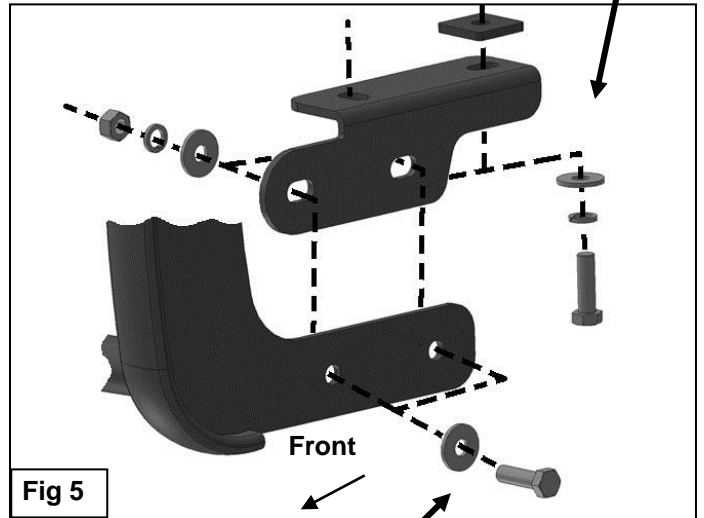


Fig 5

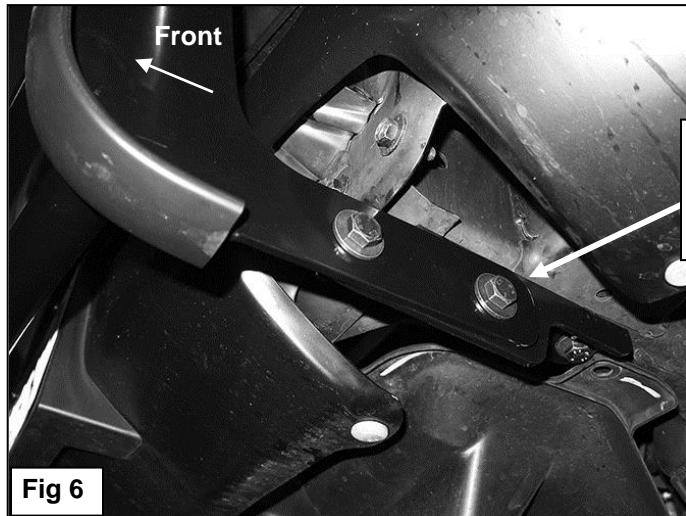


Fig 6

- (2) 12-1.75mm x 40mm Coarse Thread Hex Bolts
- (4) 12mm Flat Washers
- (2) 12mm Lock Washers

- (4) 8mm Hex Bolts
- (8) 8mm Flat Washers
- (4) 8mm Nylon Lock Nuts

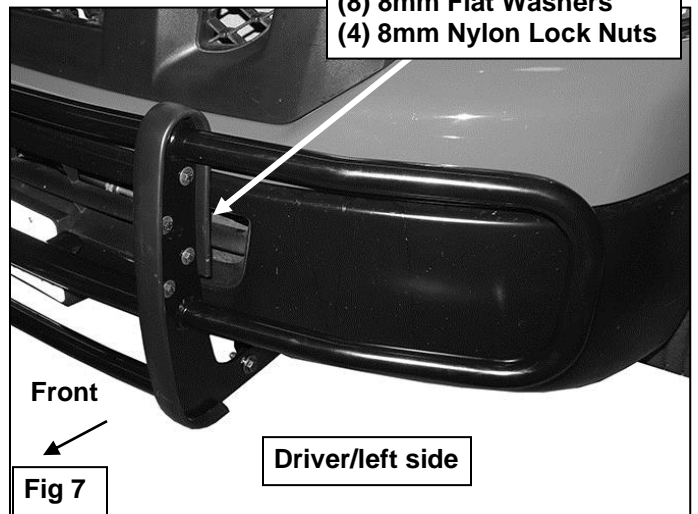


Fig 7