



INSTALLATION INSTRUCTIONS

PART#:17NE23MSS\17NE23MA
MODULAR GRILL GUARD FOR NISSAN PATHFINDER 96-04

QTY	DESCRIPTION
1	guard, center section
1	brush guard, left side
1	brush guard, right side
1	wire guard insert, left side
1	wire guard insert, right side
1	lower support bracket-left
1	lower support bracket-right
1	hardware kit

NOTE: Please read this information before assembling. Check components received with components listed above. **NO DRILLING REQUIRED.** Complete step by step instruction sheets will be found on the following pages.

- 1st. Stage, mounting of guard to vehicle.
- 2nd. stage, attaching brush guards to center section.
- 3rd . stage, attaching wire head light guards.

IMPORTANT: To obtain correct installation, we recommend you to follow these step by step instructions carefully.

Illustrations are for reference only, styles vary with application. Please review the instruction sheet before proceeding to assemble product.

Please take care when assembling and installing this product to protect the finish and your investment. To protect your investment, wax this product after installing. Regular waxing is recommended. Do not use any type of polish or wax that contains abrasive that could damage the finish.

INSTALLATION INSTRUCTIONS

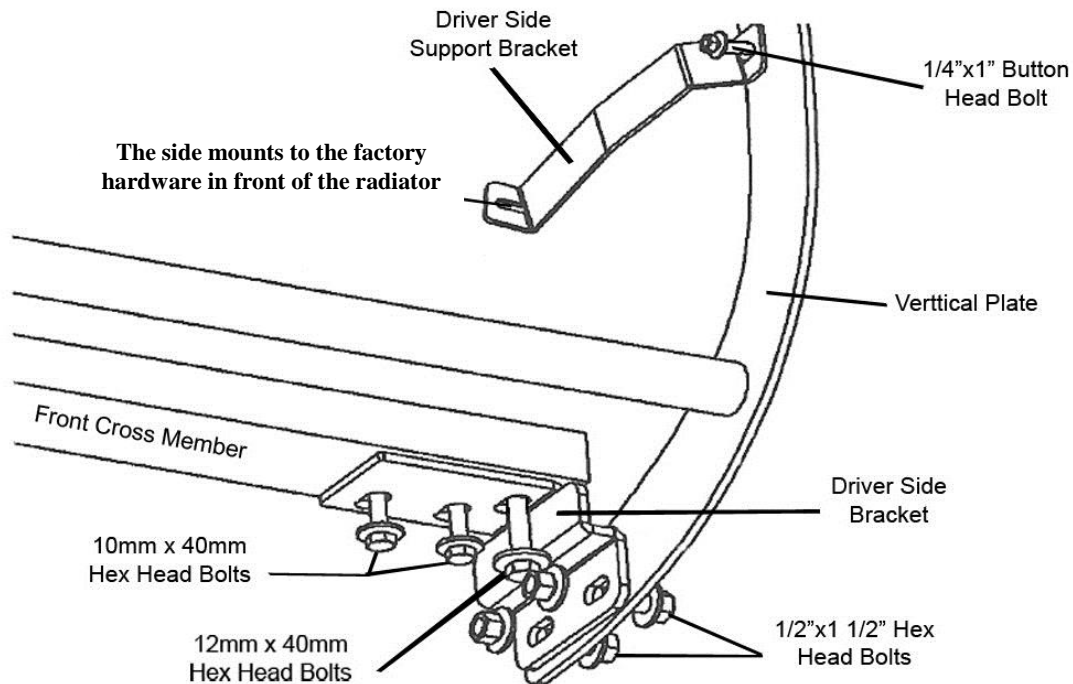
1ST STAGE

PARTS LIST:

1	Front Bar	4	3/8" Head Nylock Nuts
2	Mounting Brackets (Driver & Passenger)	12	1/2" SAE Washers
2	Top Brackets (Driver & Passenger)	6	1/2" Hex Head Nylock Nuts
6	12mm x 1.25 x 40mm	2	1/4" x 1" Button Head Bolts
4	10mm x 1.25 x 40mm	2	1/4" Hex Head Nylock Nuts
8	3/8" USS Washers (Use with 10mm Bolts 8	4	1/4" USS Washers

PROCEDURE:

- 1. REMOVE CONTENTS FROM BOX. VERIFY ALL PARTS ARE PRESENT. READ INSTRUCTIONS CAREFULLY BEFORE STARTING INSTALLATION.**
- Look underneath the front of the vehicle, locate and remove the three factory bolts on each side. **NOTE:** The Mounting Brackets will mount to the frame-cross-member as shown in figure below.
- Locate driver side Mounting Bracket and attach it to vehicle using the included Metric bolts as illustrated in figure below. Do not tighten at this time.
- Repeat steps 1 & 2 for passenger side Mounting Bracket.
- Once the Mounting Brackets are installed, with help position the Grille Guard on the outer side of Mounting Brackets. Attach Grille Guard to Mounting Brackets using the included (4) 1/2" x 1 1/2" Hex Head Bolts, (8) 1/2" Flat Washers, and (4) 1/2" Nylock Nuts as shown in figure below.
- Look inside the upper bumper opening and notice the two factory bolts with nuts in front of the radiator. Position the Top Bracket as shown in figure below, and then remove the nut that lines up with the bracket hole on each bracket. Attach Top Bracket to vehicle using the same nuts removed in this step.
- Attach the Top Bracket to vertical plate on Grille Guard using the included (2) 1/4" x 1" Button Head Bolts, (2) 1/4" Hex Head Nylocks, and (4) 1/4" Flat Washers.
- Align the Grille Guard; then tighten all hardware at this time.
- Do periodic inspections to the installation to make sure that all hardware is secure and tight.



INSTALLATION INSTRUCTION

2nd STAGE

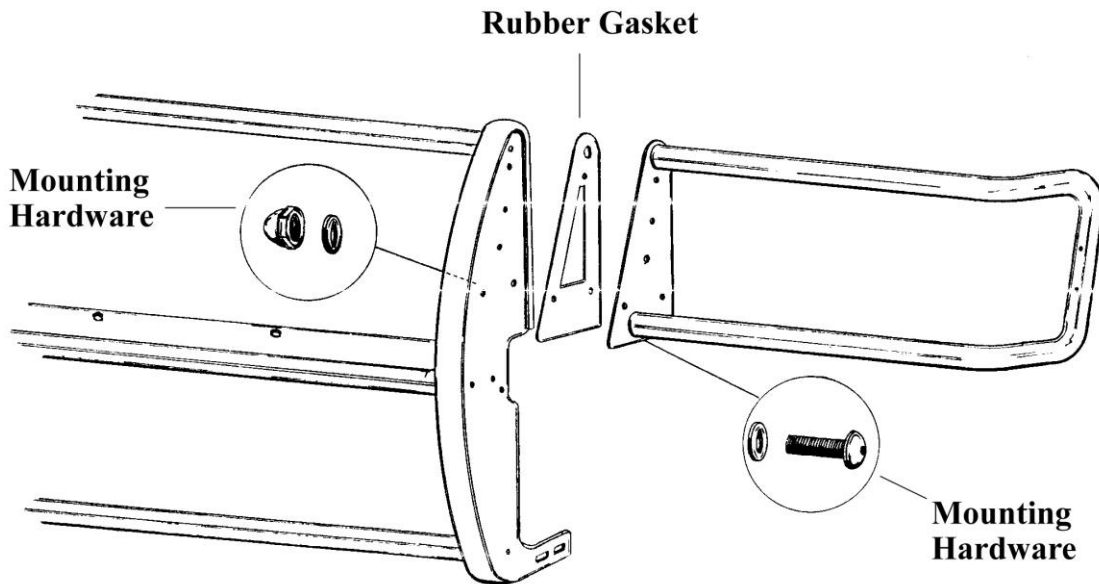
Step One: Locate hardware. Check contents with the hardware listed below.

QTY	DESCRIPTION
6	M8-1.25 x 20 button head bolts, stainless steel
6	M8-1.25 acorn nuts, stainless steel
12	M8 flat washers, stainless steel
2	rubber gaskets

Step Two: Securing brush guards to center section. Locate the following item's listed below.

QTY	DESCRIPTION
1	brush guard, left side
1	brush guard, right side

Assemble the brush guards to the center section of the guard as shown in illustration below. Use the hardware from step one to secure the parts together. Be sure to fully tighten all hardware at this time. Proceed ahead to stage four of the instruction sheet.



INSTALLATION INSTRUCTION

3rd STAGE

Step One: Locate hardware. Check contents with the hardware listed below.

QTY	DESCRIPTION
8	M6-1.00 x 25mm button head bolts, stainless steel
4	M6-1.00 acorn nuts, stainless steel
12	M6 flat washers, stainless steel
4	rubber gaskets

Step Two: Securing wire insert to brush guards. Locate the following item's listed below.

QTY	DESCRIPTION
2	wire guard insert, left & right side

Attach one rubber gasket to each end of the wire guard. Peel the paper backing off the rubber gasket. Place the gasket on the end of the bracket and press firmly till the gasket is secured in place.

Position the wire insert on the driver's side of the vehicle. Align the two holes in the bracket with the two holes in the brush guard as shown in illustration below. Using the hardware listed in step one, secure the wire insert to the brush guard. Be sure to fasten both ends before fully tightening hardware. Repeat this procedure on the opposite side of the vehicle. Be sure to use all hardware supplied and tighten all bolts.

