

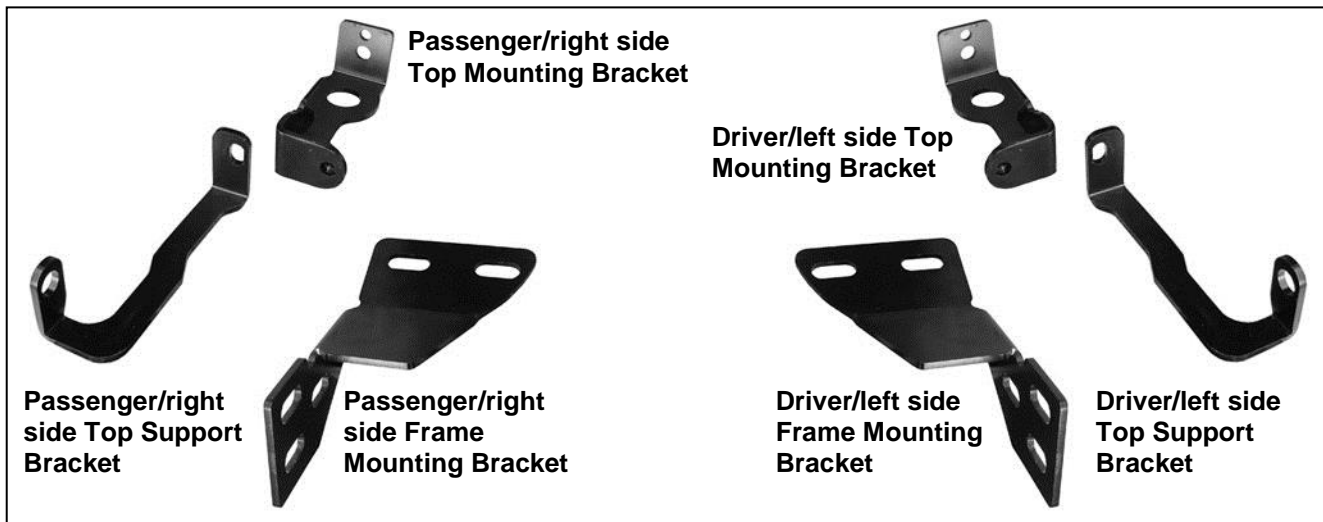


INSTALLATION INSTRUCTIONS

**PART # 17H151400SS 17H151400A
GRILLE GUARD FOR HONDA PILOT 09-10**

PARTS LIST:

Qty	Description	Qty	Description
1	Grille Guard	6	12mm Lock Washers
1	Driver/Left Frame Mounting Bracket	6	12mm Hex Nuts
1	Passenger/Right Frame Mounting Bracket	2	10-1.5mm x 30mm Button Head Allen Bolts
1	Driver/Left Top Support Bracket	4	10mm x 20mm OD x 2mm Flat Washers
1	Passenger/Right Top Support Bracket	2	10mm Nylon Lock Nuts
1	Driver/Left Top Mounting Bracket	2	8-1.25mm x 25mm Hex Bolts
1	Passenger/Right Top Mounting Bracket	2	8mm x 24mm OD x 2mm Flat Washers
6	12mm x 35mm Hex Bolts	2	8mm Lock Washers
12	12mm x 32mm OD x 3mm Flat Washers		

**PROCEDURE:**

- 1. REMOVE CONTENTS FROM BOX. VERIFY ALL PARTS ARE PRESENT. READ INSTRUCTIONS CAREFULLY. ASSISTANCE IS RECOMMENDED. CUTTING IS REQUIRED.**
- Starting under the front bumper, carefully remove the center plastic splash guard, **(Figure 9A)**. **NOTE:** Depending on the year and model of vehicle, there may be several two-piece plastic push-in clips holding the splash guard up to the vehicle. Pry the center pin of the clip up with a small flat blade screwdriver to release and remove the entire clip. Pay close attention to the type and location of all factory hardware for reinstallation. Remove the splash guard after all clips have been removed and place it on a clean stable work surface.
- From the driver side of the vehicle, locate and remove the two factory bolts securing the frame bracket to the front cross member. Also, loosen the hex bolt, **(NOTE: 1-2 full turns only)**, securing the bracket to the suspension mount, **(Figure 1)**. Gently pull down on the bracket just enough to slide the driver side Mounting Bracket between the frame bracket and the cross member, **(Figure 2)**. **NOTE:** Do not pull too hard or you may bend the frame bracket. If more room is required to insert the Mounting Bracket, loosen but **do not remove** the hex bolt at the end of the frame bracket. Align the mounting holes in the Mounting Bracket with the holes in the frame bracket and reinstall the two factory hex bolts. Snug but do not tighten all hardware at this time.
- Repeat step 3 for the passenger side Mounting Bracket installation.
- With assistance, mount the Grille Guard to the outside of the Mounting Brackets. Use the included (6) 12-1.75mm x 35mm Hex Bolts, (12) 12mm Flat Washers, (6) 12mm Lock Washers and (6) 12mm Hex

Nuts to attach the Grille Guard to both mounting brackets, **(Figure 3)**. Do not tighten hardware at this time.

6. Next, remove the plastic cover between the radiator support and the plastic grille, **(Figure 4)**. Locate and remove the top driver side radiator mount, **(Figure 5A-5B)**. Carefully remove the rubber bushing from the mount and insert it into the driver side Top Support Mounting Bracket, **(Figure 5C)**. Repeat this step to install the passenger side Mounting Bracket.
7. Remove the (2) hex bolts securing the plastic grille to the radiator core support, **(Figure 5A)**. Insert the driver side Top Support Bracket through the opening in the plastic grille, **(Figure 6)**. **NOTE:** It may be necessary to slightly tilt the plastic grille away from the vehicle to maneuver the Support Bracket into position. Carefully tilt the plastic grille forward while lining up the Support Bracket with the mounting hole in the upright on the Grille Guard. Attach the Support Bracket to the upright with (1) Button Head Bolt, **(Figure 7)**. Leave loose at this time. Repeat this step for the passenger side Support Bracket installation.
8. Attach the Support Bracket to the Mounting Bracket with (1) 8-1.25mm x 25mm Hex Bolt, (1) 8mm Flat Washer and (1) 8mm Lock Washer, **(Figure 8)**. Repeat this step for the passenger side bracket installation. Snug but do not tighten all hardware.
9. Once the Grille Guard is fully mounted on the vehicle, level, adjust and tighten all hardware. Reattach the plastic grille and reinstall the plastic cover between the radiator core support and the plastic grille.
10. Next, hold the splash guard up to the original location and mark the area pictured in **Figure 9B & 9C** to cut for clearance. Cut only the material required to clear the Mounting Brackets. Once trimmed, reinstall the splash guard using the factory hardware.
11. Do periodic inspections to the installation to make sure that all hardware is secure and tight.

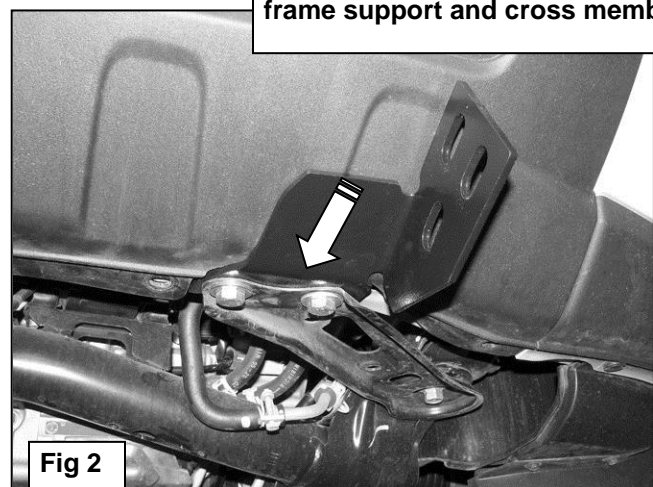
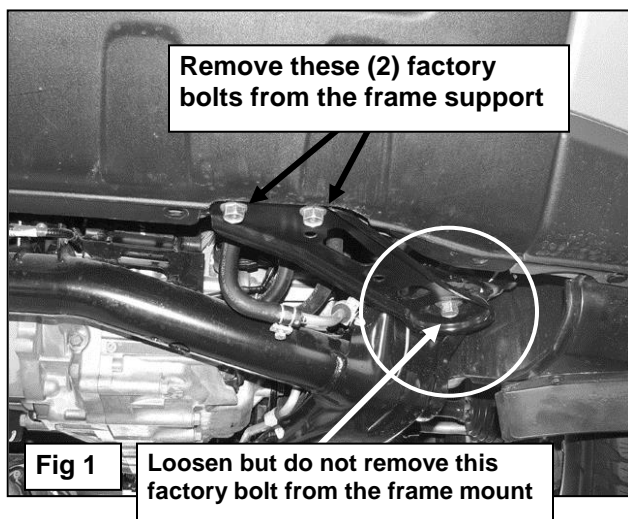
To protect your investment, wax this product after installing. Regular waxing is recommended to add a protective layer over the finish. Do not use any type of polish or wax that may contain abrasives that could damage the finish.

For stainless steel: Aluminum polish may be used to polish small scratches and scuffs on the finish. Mild soap may be used also to clean the Grille Guard.

For gloss black finishes: Mild soap may be used to clean the Grille Guard.

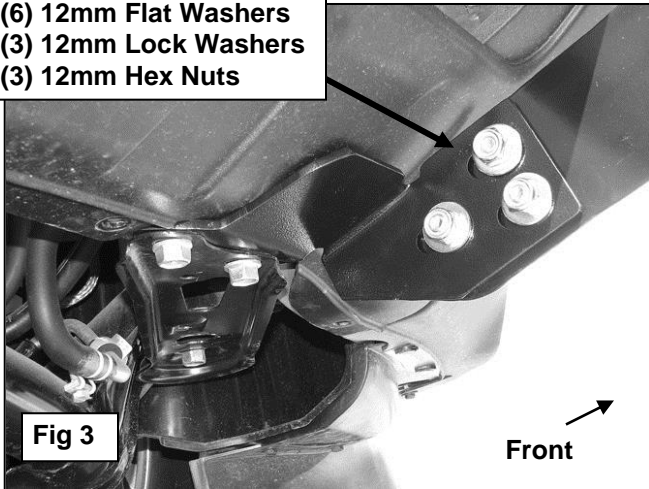
DRIVER SIDE INSTALLATION PICTURED

Insert Mounting Bracket between frame support and cross member

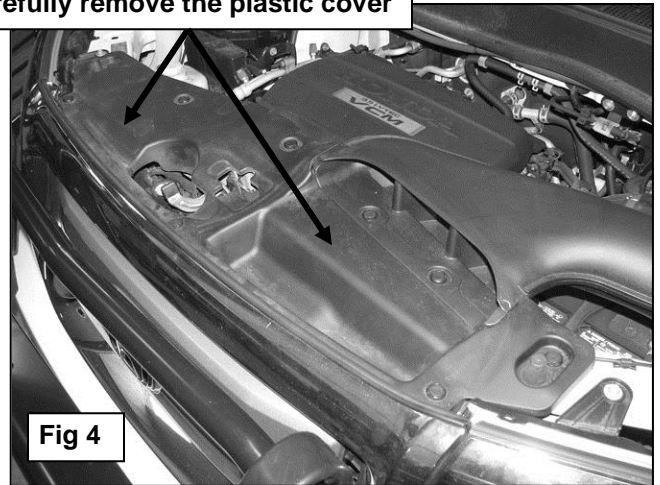


DRIVER SIDE INSTALLATION PICTURED

- (3) 12mm x 35mm Hex Bolts
- (6) 12mm Flat Washers
- (3) 12mm Lock Washers
- (3) 12mm Hex Nuts

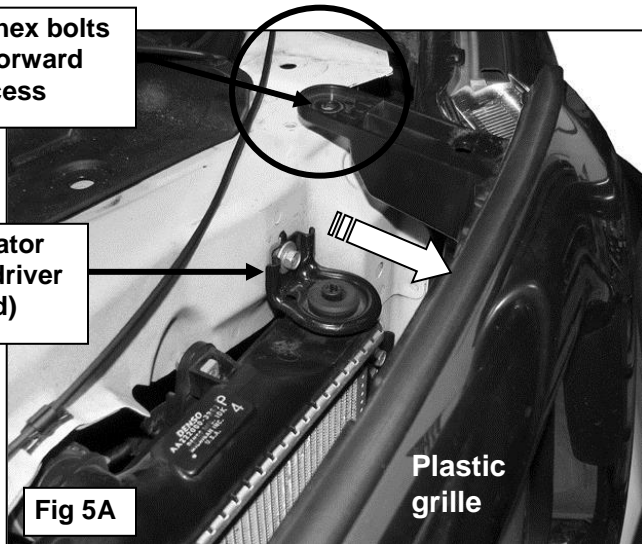


Carefully remove the plastic cover



Remove (2) hex bolts to tilt grille forward for more access

Factory radiator top mount (driver side pictured)



(Fig 5B) factory radiator top mount

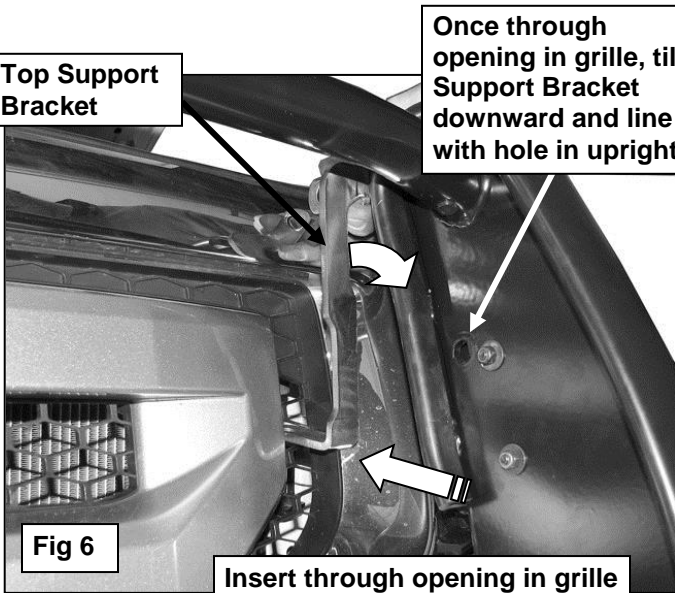


(Fig 5C) Top Support Mounting Bracket (driver side pictured)

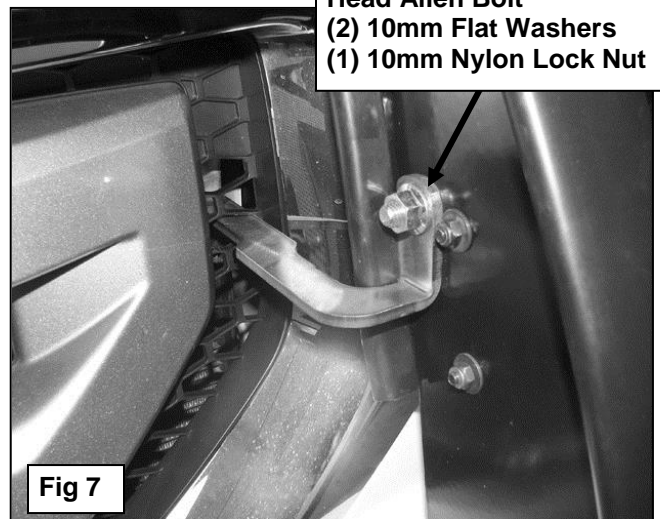


Top Support Bracket

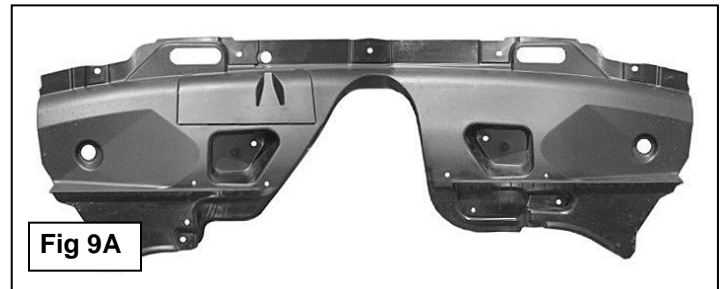
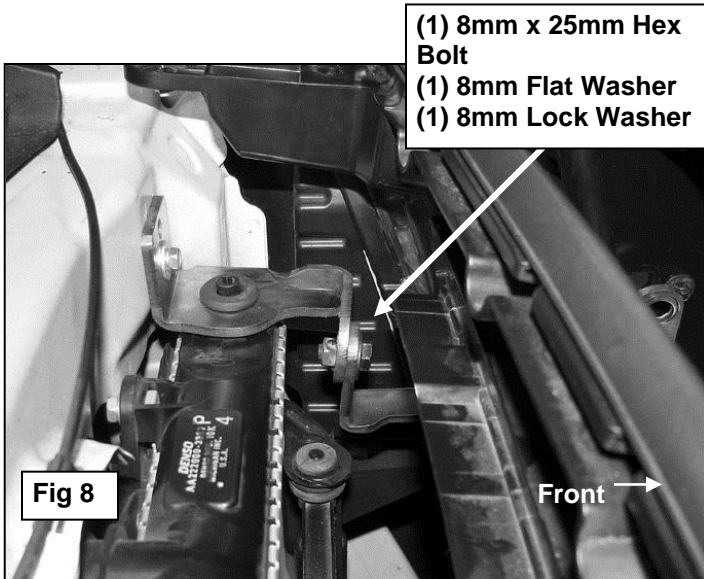
Once through opening in grille, tilt Support Bracket downward and line up with hole in upright



- (1) 10mm x 25mm Button Head Allen Bolt
- (2) 10mm Flat Washers
- (1) 10mm Nylon Lock Nut



DRIVER SIDE INSTALLATION PICTURED



Install and align the Grille Guard as per instructions. Tighten all hardware before marking the area on the splash guard to cut for clearance

