



INSTALLATION INSTRUCTIONS

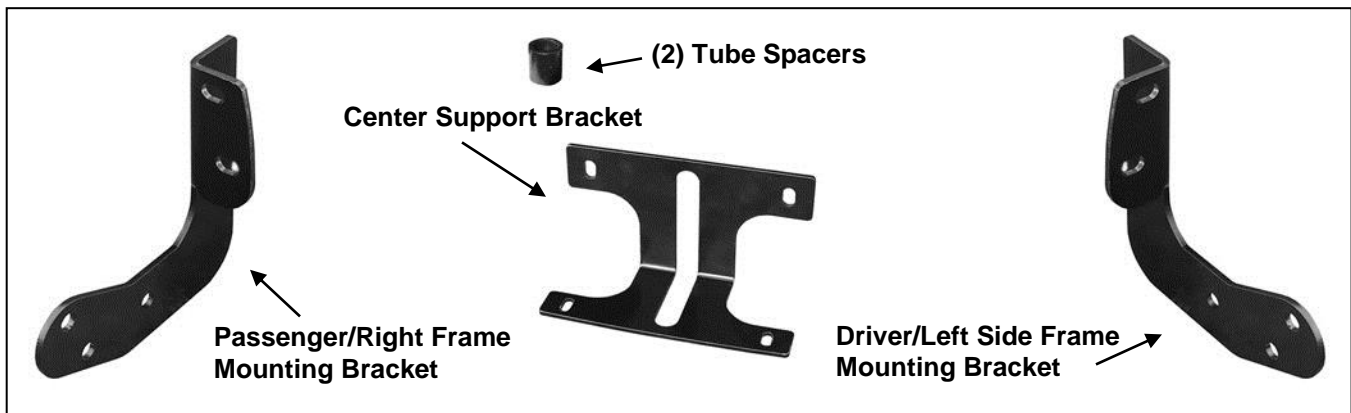
PART#: 17FOTRMA

SPARTAN GRILLE GUARD

2015-16 FORD TRANSIT VAN (FULL SIZE)

PARTS LIST:

1	Spartan Grille Guard Center	6	12mm Lock Washers
1	Driver/Left Modular Wing	6	12mm Hex Nuts
1	Passenger/Right Modular Wing	2	8-1.25mm x 40mm Hex Bolts
1	Driver/Left Frame Mounting Bracket	8	8-1.25mm x 30mm Hex Bolts
1	Passenger/Right Frame Mounting Bracket	18	8mm x 24mm OD x 2mm Flat Washers
1	Support Bracket	2	8mm Lock Washers
2	Tube Spacers	8	8-1.25mm Nylon Lock Nuts
6	12-1.75mm x 35mm Hex Bolts	2	6-1.0mm x 20mm Button Head Bolts
2	12mm x 32mm OD x 3mm Large Flat Washers	2	6mm x 18mm OD x 1.6mm Flat Washers
12	12mm x 24mm OD x 2.5mm STD Flat Washers	2	6mm Lock Washers
		3	ST6x20mm Phillips Head Screws



PROCEDURE:

REMOVE CONTENTS FROM BOX. VERIFY ALL PARTS ARE PRESENT. READ INSTRUCTIONS CAREFULLY BEFORE STARTING INSTALLATION. ASSISTANCE IS RECOMMENDED. CUTTING IS REQUIRED. DRILLING MAY BE REQUIRED.

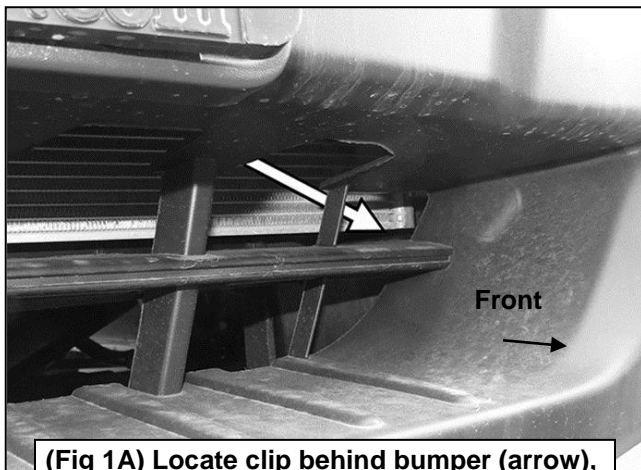
1. Start installation under the front bumper. Locate the (2) plastic clips attaching the splash guard to the back of the opening in the bumper, **(Figures 1A & 1B)**. **IMPORTANT:** Clips are located at each end of the bumper opening. Access the clips through the opening in the bumper. Use a flat blade screwdriver to carefully pry up the clips. Remove all of the factory hardware attaching the plastic splash guard to the bottom of the bumper, **(Figure 2)**. Move splash guard to a clean stable surface.
2. From under the front of the vehicle, remove the (2) inner factory hex bolts attaching the driver side bumper bracket to the end of the frame, **(Figures 3 & 4)**. Select the driver side Frame Mounting Bracket, **(Figure 5)**. Reuse (1) factory hex bolt to attach the Mounting Bracket to the top hole in the back of the bumper bracket. Leave loose at this time. Select (1) 12mm x 32mm Large Flat Washer, **(Figures 5 & 6A)**. Use the Washer as a spacer on the bottom mounting hole, between the Mounting Bracket and the bumper bracket, **(Figure 6B)**. Insert the factory hex bolt through the Mounting Bracket, Flat Washer and into the bumper bracket. Do not fully tighten hardware at this time.
3. Repeat **Step 2** to install the passenger side Frame Mounting Bracket.
4. With assistance, place the Grille Guard up to the outside of the Frame Brackets. Attach the Grille Guard to the Brackets with (6) 12mm x 35mm Hex Bolts, (12) 12mm x 24mm STD Flat Washers, (6) 12mm Lock Washers and (6) 12mm Hex Nuts, **(Figure 7)**. Snug but do not tighten hardware at this time.
5. Next, select the driver side outer wing. Attach the wing to the center Grille Guard with (4) 8mm x 30mm Hex Bolts, (8) 8mm Flat washers and (4) 8mm Nylon Lock Nuts, **(Figure 8)**. Tighten wing hardware at this time. Repeat to attach the passenger side wing to the grille guard.
6. Next, remove the front license plate and license plate bracket, (if equipped). **IMPORTANT:** License plate bracket may be attached with rivets. Carefully drill out the center of the rivet. Do not enlarge the holes in the bumper.
7. Remove the (2) plastic plugs and hex bolts from the center of the bumper, **(Figure 9)**. Select the (2) Tube Spacers, **(Figure 10A)**. Insert the Spacers into the recess in the bumper, **(Figure 10B)**.

8. Select the Front Support Bracket, **(Figure 11)**. Hold the Bracket in position over the Tube Spacers. Insert (2) 8mm x 40mm Hex Bolts, (2) 8mm Lock Washers and (2) 8mm Flat Washers through the Bracket, Tube Spacers and into the bumper, **(Figure 12)**. Leave loose at this time.
9. Line up the bottom of the Support Bracket with the threaded inserts in the bottom of the crossbar. Attach the Bracket to the crossbar with (2) 6mm x 20mm Button Head Bolts, (2) 6mm Lock Washers and (2) 6mm Flat Washers, **(Figure 13)**. Snug but do not fully tighten hardware at this time.
10. Align and adjust the Grille Guard and fully tighten all hardware at this time.
11. Hold the plastic splash guard up to the bottom of the Mounting Brackets, **(Figure 14)**. Trace the location of the Brackets onto the inside of the plastic cover. Use a sharp knife or hacksaw blade to cut out the sections from the cover, **(Figure 15)**. Reinstall the splash guard using the factory hardware.
12. Reinstall the license plate bracket over the Support Bracket. On models with bracket held on with rivets, use the included (3) ST6x20mm Screws to reattach the license plate bracket.
13. Do periodic inspections to the installation to make sure that all hardware is secure and tight.

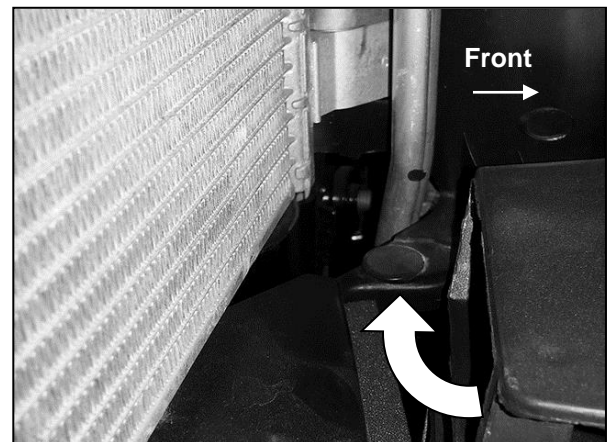
To protect your investment, wax this product after installing. Regular waxing is recommended to add a protective layer over the finish. Do not use any type of polish or wax that may contain abrasives that could damage the finish.

For stainless steel: Aluminum polish may be used to polish small scratches and scuffs on the finish. Mild soap may be used also to clean the Grille Guard.

For gloss black finishes: Mild soap may be used to clean the Grille Guard.



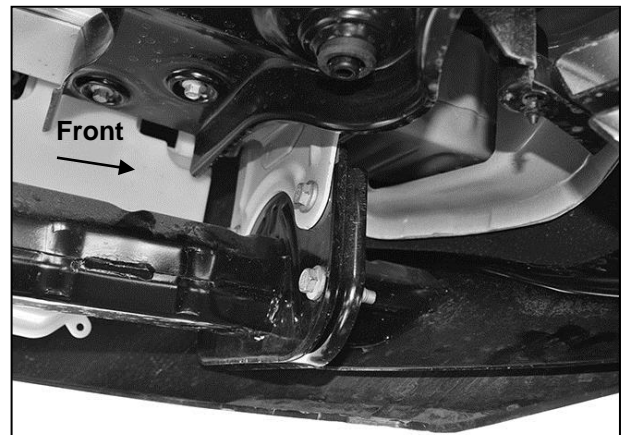
(Fig 1A) Locate clip behind bumper (arrow), at each end of bumper opening



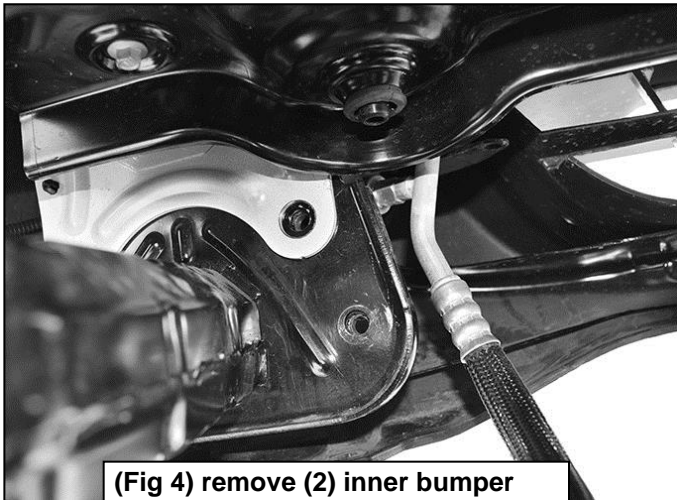
(Fig 1B) Locate clip at each end of bumper opening (driver side pictured from behind bumper)



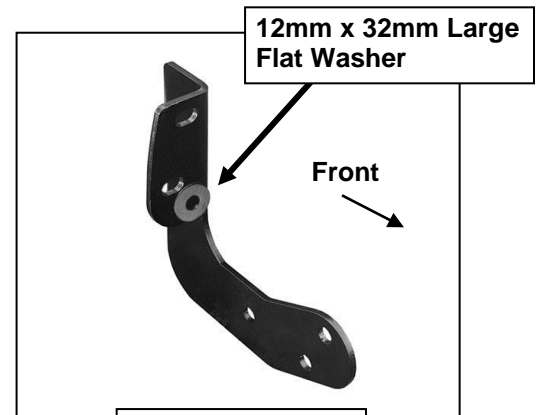
(Fig 2) Remove plastic splash guard



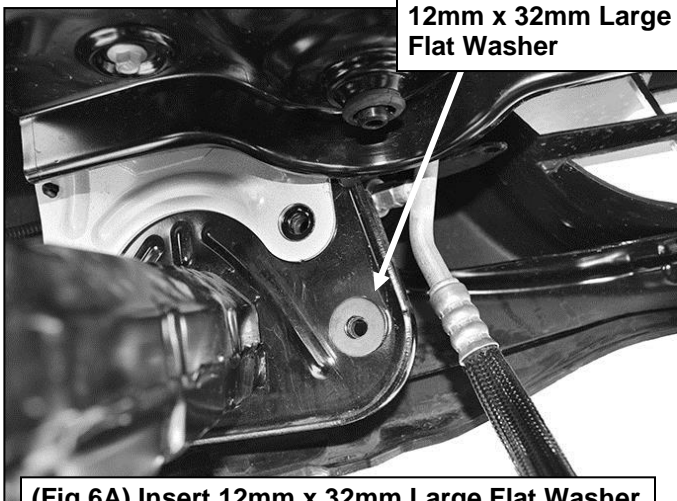
(Fig 3) Locate bumper bracket (driver side pictured)



(Fig 4) remove (2) inner bumper bracket bolts (driver side pictured)



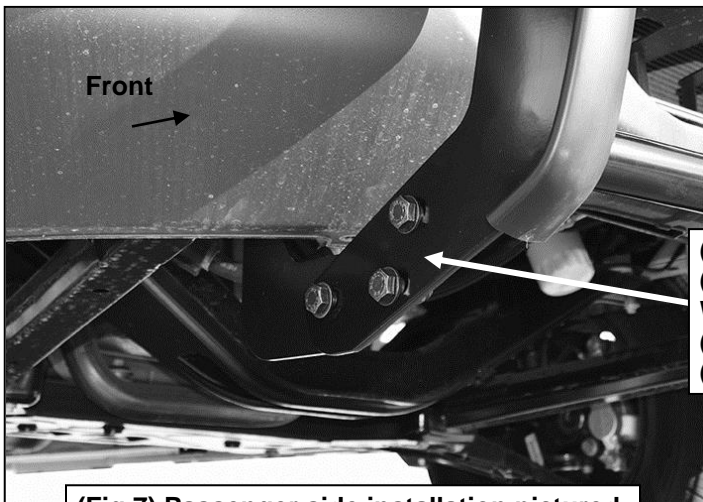
(Fig 5) Driver side Mounting Bracket



(Fig 6A) Insert 12mm x 32mm Large Flat Washer between Mounting Bracket and bumper bracket



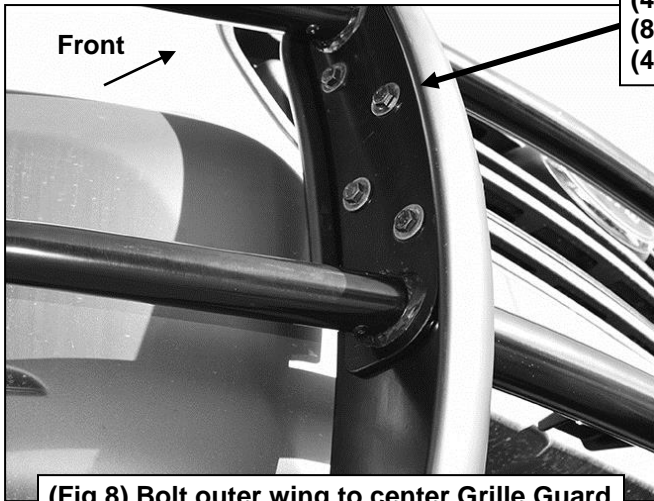
(Fig 6B) Use 12mm x 32mm Large Flat Washer for a spacer on lower mounting bolt only between Mounting Bracket and bumper bracket (Driver side Bracket installation pictured)



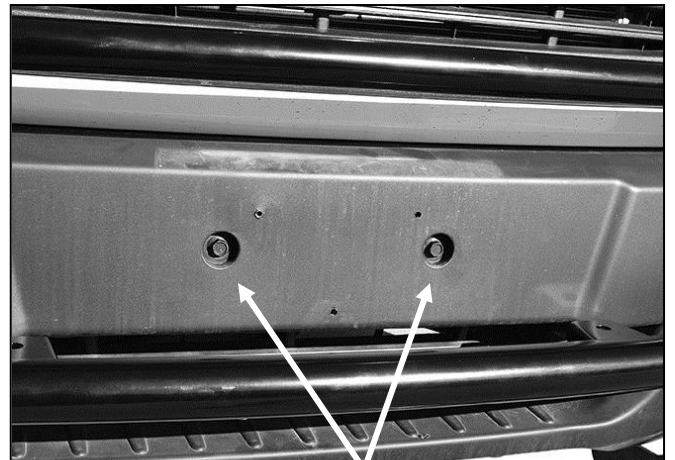
(Fig 7) Passenger side installation pictured

- (3) 12mm x 35mm Hex Bolts**
- (6) 12mm x 24mm STD Flat Washers**
- (3) 12mm Lock Washers**
- (3) 12mm Hex Nuts**

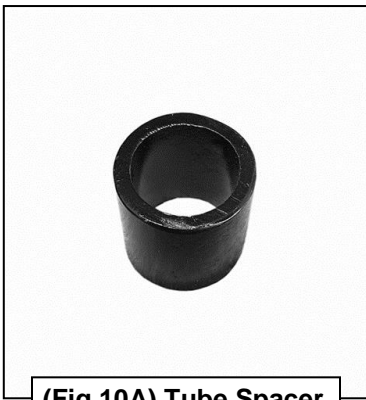
- (4) 8mm x 30mm Hex Bolts
- (8) 8mm Flat Washers
- (4) 8mm Nylon Lock Nuts



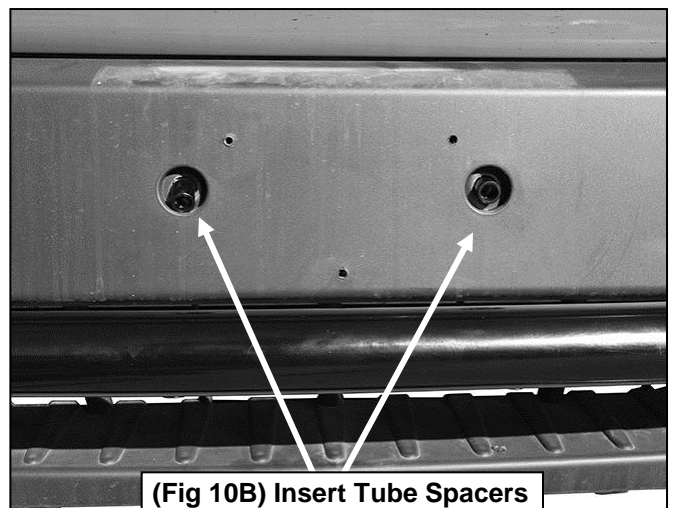
(Fig 8) Bolt outer wing to center Grille Guard (Passenger side installation pictured)



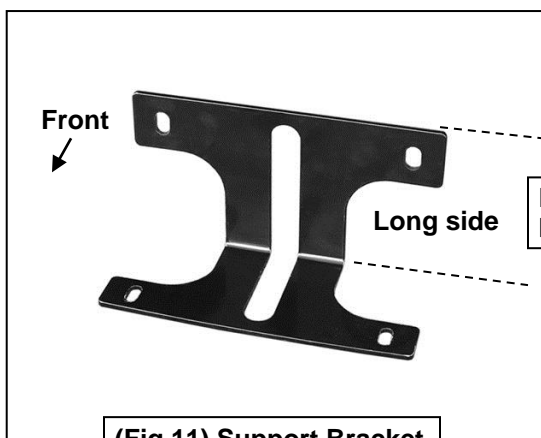
(Fig 9) Remove license plate and bracket (if equipped). Remove (2) plastic plugs and hex bolts



(Fig 10A) Tube Spacer

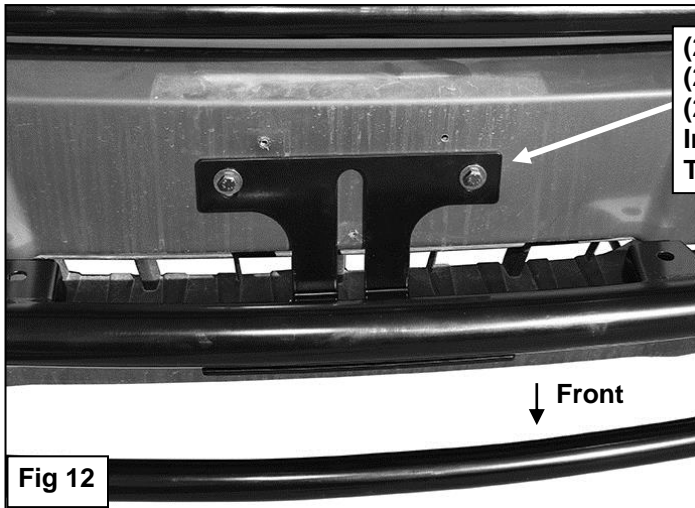


(Fig 10B) Insert Tube Spacers into recesses in bumper

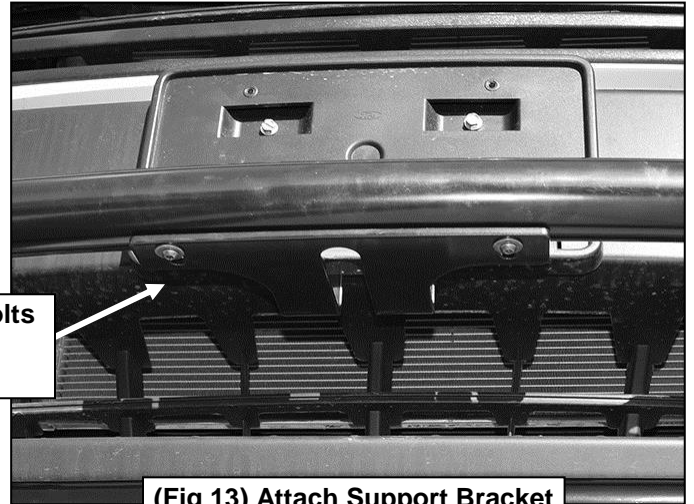


(Fig 11) Support Bracket

NOTE: Attach long side to bumper, short side to Grille Guard



(2) 8mm x 40mm Hex Bolts
(2) 8mm Lock Washers
(2) 8mm Flat Washers
Insert Bolts through Bracket,
Tube Spacers then into bumper



(Fig 13) Attach Support Bracket
to bottom of Grille Guard

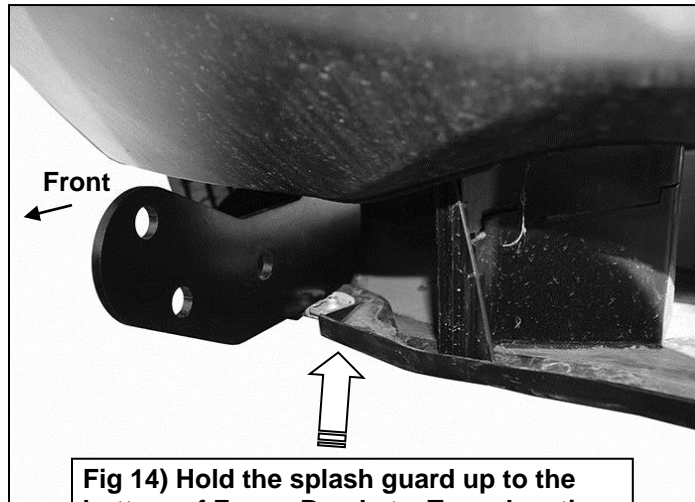


Fig 14) Hold the splash guard up to the
bottom of Frame Brackets. Trace location
of Brackets onto back of the plastic cover

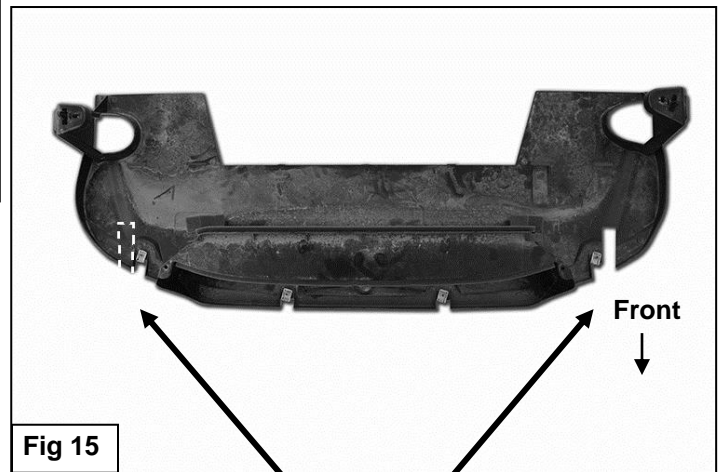


Fig 15
Trace location of Brackets onto back
of the plastic cover (dashed line).
Cut as required to clear brackets. Do
not cut off mounting tabs and clips

