



**INSTALLATION INSTRUCTIONS**  
**GRILL GUARD FOR FORD EXPLORER 02-05**  
**PART # 17FJ26MA**

**NOTE:** Please read this information before assembling. Complete step by step instruction sheets will be found on the following page. The one-piece front guard has been designed to be installed on vehicle in one complete stage. **NO DRILLING REQUIRED**

Illustrations are for reference only, styles vary with application. Please proceed to next page of the instruction sheet.

**IMPORTANT:** To obtain correct installation, we recommend you to follow these step by step instructions carefully.

Please take care when assembling and installing this product to protect the finish and your investment. To protect your investment, wax this product after installing. Regular waxing is recommended. Do not use any type of polish or wax that contains abrasive that could damage the finish.

**Step One:** Locate hardware and check the contents with the hardware listed below.

DESCRIPTION	QTY
M12 x 30mm Hex Head Bolts	10
M12 Lock Nuts	6
M12 Flat Washers	16
M6 x 20mm Phillips Bolts	2
M6 Lock Nuts	2
M6 Flat Washers	2
Mounting Bracket-Left	1
Mounting Bracket-Right	1
Front Support Bracket	1
Retainer Brackets	2

**Step Two:** Locate the Mounting Brackets, (2) Retainer Brackets, (4) M12 x 30mm Hex Head Bolts, (4) M12 Lock nuts, and (4) M12 Flat washers. Insert Retainer Bracket through slotted hole on the frame of truck as shown in Fig 1. Line up holes on the bracket with holes on the frame. **NOTE:** Make sure the flat side of the Retainer Bracket is facing down when inserted into the frame. Orient Mounting Brackets as per Fig 2 and loosely install them to the Retainer Brackets by using the hardware listed in this step.

**Step Three:** Locate (6) M12 x 30mm Hex Head Bolts, (6) Lock Nuts, and (12) Flat Washers. Position the Guard on the vehicle and place the lower portion of the guard to the inside of the lower support brackets as per Fig 3. Secure the Guard to Mounting Brackets with hardware listed in this step, do not tighten at this time.

**Step Three:** Loosen up the factory plastic grille by unfastening the top four fasteners. Insert Front Support Bracket through plastic grille as per Fig 4. Install it to vehicle by using factory screw as per Fig 5. Once the Front Support Bracket is secure to the vehicle, re-install factory plastic grille.

**Step Four:** Locate (2) M6 Philips Bolts, (2) M6 Lock Nuts, and (2) M6 Flat Washers. Install Front Support Bracket to Guard by using the hardware listed in this step as per Fig 6. Tighten all hardware at this time.



**Fig 1**



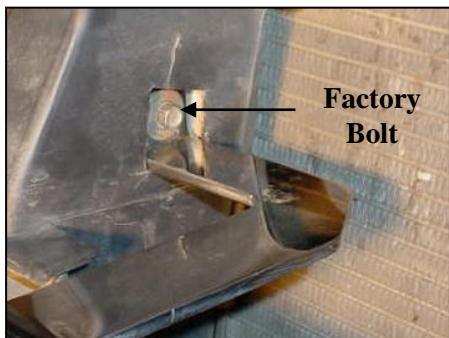
**Fig 2**



**Fig 3**



**Fig 4**



**Fig 5**



**Fig 6**

# INSTALLATION INSTRUCTIONS

## 1<sup>ST</sup> STAGE

- |         |   |     |    |                      |
|---------|---|-----|----|----------------------|
| • 1 Set | Grille Guard                                    | • 2 | pc | M6 x 25 Allen Bolts  |
| • 1 Set | Brackets(left & right, when sitting in the car) | • 2 | pc | M6 Lock Nuts         |
| • 4 pc  | 7/16 x 1-1/4" Hex Bolts                         | • 4 | pc | 6mm Flat Washers     |
| • 4 pc  | 7/16 Nylon Lock Nuts                            | • 8 | pc | M10*45 Hex Head Bolt |
| • 8 pc  | 7/16 Flat Washers                               | • 8 | pc | M10 Hex Nut          |
| • 8 pc  | M10 Flat Washers                                |     |    |                      |
| • 8 pc  | M10 Lock Washer                                 |     |    |                      |

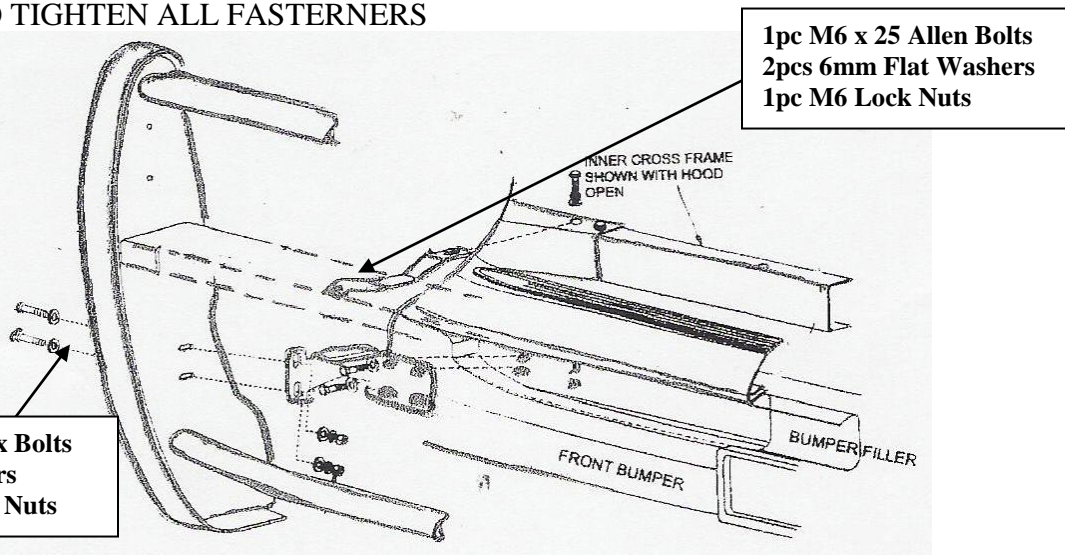
**Instructions:**

**INSTALLING FRAME BRACKETS AND FRONT BAR**

1. REMOVE TOW HOOKS FROM FRONT BUMPER. (REMOVE TEMPORARY
2. ATTACHE PASSENGER SIDE FRAME BRACKET BETWEEN FRAME AND TOW HOOK (PASSENGER SIDE SHOWN ) USING THE FACTORY BOLT. (NOTE: RUN ONE OF THE 3/8 x 1-3/4" HEX BOLT FROM BEHIND OF THE FRAME AND THE 3/8 NYLON LOCK JAM NUT ON THE BOTTOM LEFT CORNER ONLY, THIS WILL GIVE YOU CLEARANCE ON THE CORNER. SNUG TIGHT ONLY.
3. REPEAT STEP 1 AND 2 ON DRIVER SIDE
4. LINE UP THE TWO HOLES ON THE LOWER PORTION OF THE BAR WITH THE TWO OF THE HOLES IN THE FRAME BRACKETS (INNER EDGE) ATTACH FRONT BAR USING THE 7/16 x 1-1/4 HEX BOLTS, 7/16 NYLON LOCK NUTS AND 7/16 FLAT WASHERS. SNUG TIGHT ONLY.

**INSTRUCTION TOP SUPPORT BRACKERTS**

1. OPEN HOOD, ATTACH TOP SUPPORT BARACKET ON TOP OF THE CROSS FRAME (HIGHER END AS SHOWN) USING THE EXISTING BOLT. SNUG TIGHT ONLY. LOWER END OF SUPPORT BRACKET WILL LINE UP UNDER CENTER FLANGE OF FRONT BAR , ATTACH USING THE 1/4 SCREWS AND 1/4 NYLON LOCK NUT.
2. MAKE SURE VEHICLE HOOD WILL CLEAR WHEN CLOSING HOOD
3. PROCEED TO TIGHTEN ALL FASTERNERS



# INSTALLATION INSTRUCTION

## 2<sup>nd</sup> STAGE

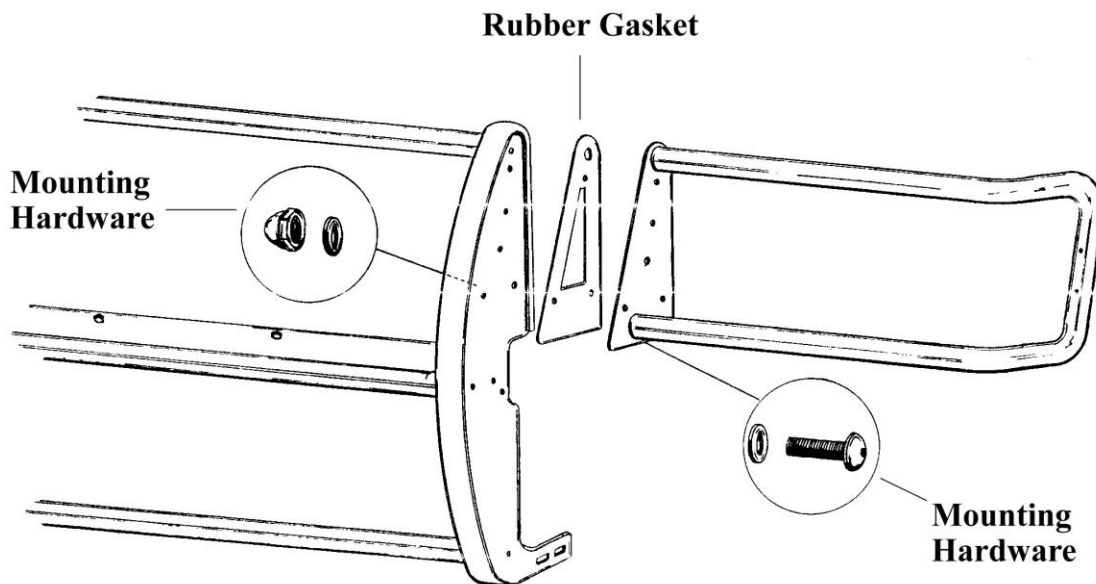
Step One: Locate hardware. Check contents with the hardware listed below.

QTY	DESCRIPTION
6	M8-1.25 x 20 button head bolts, stainless steel
6	M8-1.25 acorn nuts, stainless steel
12	M8 flat washers, stainless steel
2	rubber gaskets

Step Two: Securing brush guards to center section. Locate the following item's listed below.

QTY	DESCRIPTION
1	brush guard, left side
1	brush guard, right side

Assemble the brush guards to the center section of the guard as shown in illustration below. Use the hardware from step one to secure the parts together. Be sure to fully tighten all hardware at this time. Proceed ahead to stage four of the instruction sheet.



# INSTALLATION INSTRUCTION

## 3<sup>rd</sup> STAGE

Step One: Locate hardware. Check contents with the hardware listed below.

QTY	DESCRIPTION
8	M6-1.00 x 25mm button head bolts, stainless steel
4	M6-1.00 acorn nuts, stainless steel
12	M6 flat washers, stainless steel
4	rubber gaskets

Step Two: Securing wire insert to brush guards. Locate the following item's listed below.

QTY	DESCRIPTION
2	wire guard insert, left & right side

Attach one rubber gasket to each end of the wire guard. Peel the paper backing off the rubber gasket. Place the gasket on the end of the bracket and press firmly till the gasket is secured in place.

Position the wire insert on the driver's side of the vehicle. Align the two holes in the bracket with the two holes in the brush guard as shown in illustration below. Using the hardware listed in step one, secure the wire insert to the brush guard. Be sure to fasten both ends before fully tightening hardware. Repeat this procedure on the opposite side of the vehicle. Be sure to use all hardware supplied and tighten all bolts.

