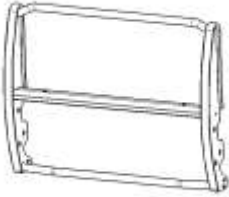
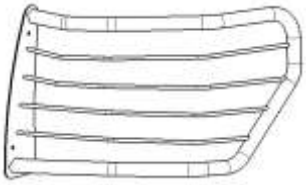

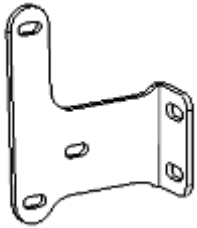
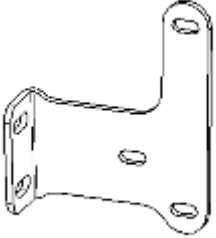
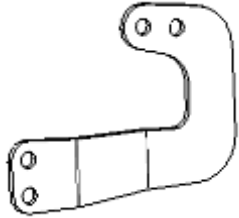
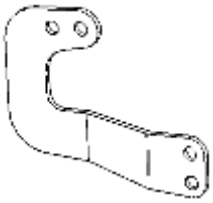
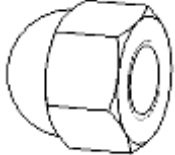


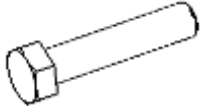
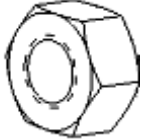




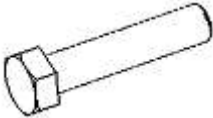
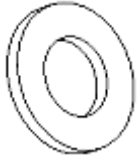



INSTALLATION INSTRUCTIONS

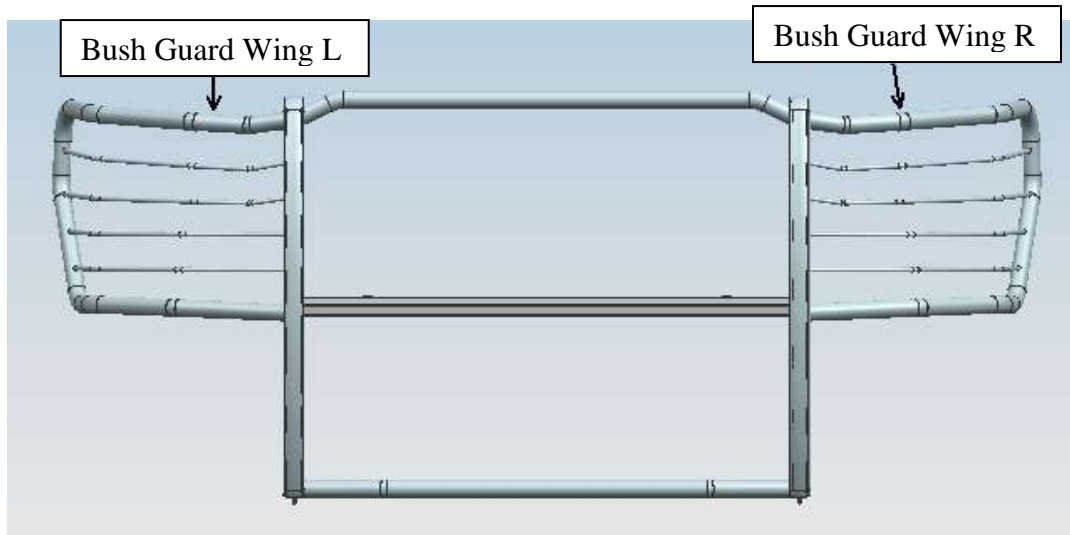
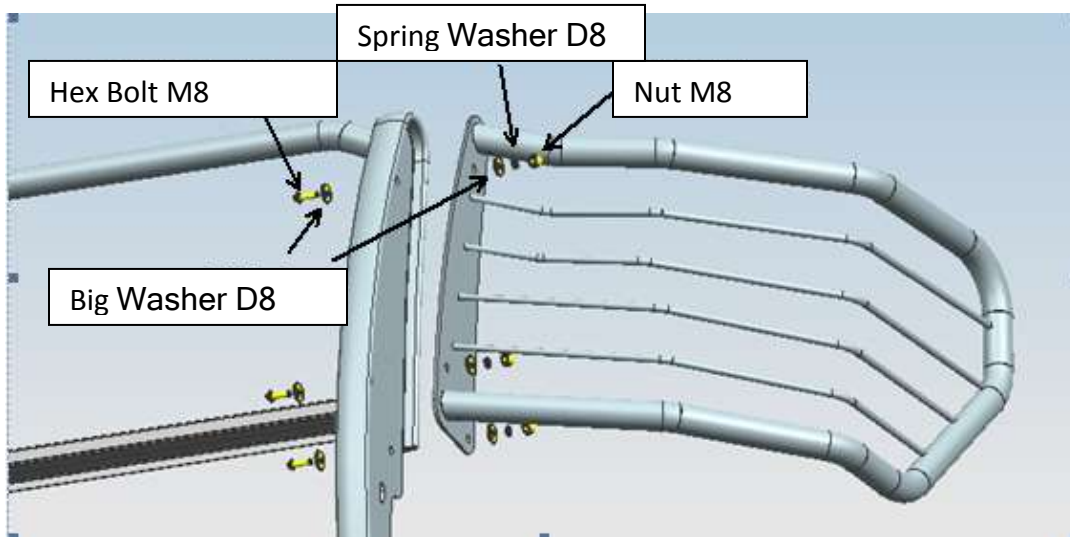
**BLACK MODULAR GRILLE GUARD
FOR FORD F250/F350/F450/F550 SUPERDUTY11-16
PART # 17FB26MA**

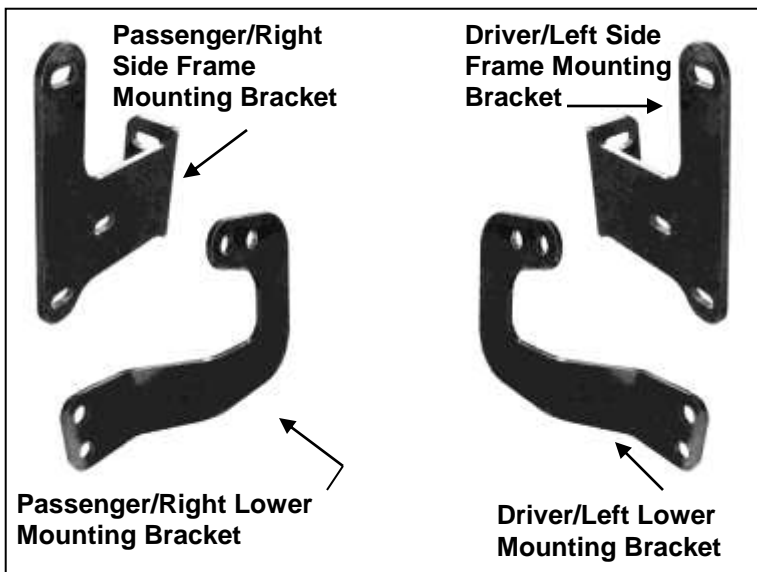
PARTS LIST:

NO.	QTY	NAME	NO.	QTY	NAME
①	1	 Guard	②	1	 Bush Guard Wing L
③	1	 Bush Guard Wing R	④	1	 Bracker (L)
⑤	1	 Bracker (R)	⑥	1	 Bracker (L)
⑦	1	 Bracker (R)	⑧	6	 Nut M8
⑨	6	 Spring washer D8	⑩	12	 Big washer D8
⑪	6	 Hex bolt M8*25	⑫	10	 Hex Nut M12

<p>⑬</p>	<p>12</p>	 <p>Big washer D12</p>	<p>⑭</p>	<p>10</p>	 <p>Spring washer D12</p>
<p>⑮</p>	<p>10</p>	 <p>Hex bolt M12_40</p>	<p>⑯</p>	<p>8</p>	 <p>Flat washer D12</p>
<p>⑰</p>	<p>1</p>	 <p>Hex Allen Wrench S=5</p>			

Firstly,install the bush guard wing(L&R) to the guard as the picture shown.





Complete Installation

PROCEDURE:

REMOVE CONTENTS FROM BOX. VERIFY ALL PARTS ARE PRESENT. READ INSTRUCTIONS CAREFULLY BEFORE STARTING INSTALLATION. ASSISTANCE IS RECOMMENDED TO AVOID POSSIBLE INJURY OR DAMAGE TO THE VEHICLE. CUTTING IS REQUIRED.

1. Before beginning installation, measure the gap between the headlight assembly and the bumper cover on both sides of the vehicle, **(Figure 1)**. Also note the gap between the grille shell and the bumper cover. Record these measurements as the installation requires removal of the bumper bolts and you will need these measurements to properly readjust the bumper height to its original position.
2. Starting at the front-driver side, remove the (2) factory bumper bolts, **(Figure 1)**. **WARNING!** Do not remove passenger and driver bumper bolts at the same time or the bumper may fall. Only remove and install one Frame Mounting Bracket at a time. **NOTE:** Bumper bolts are held in place by thin metal retaining clips. Discard the clips and remove the bolts.
3. Place the driver side Frame Mounting Bracket onto the vehicle and line it up with the (2) mounting bolt holes, **(Figure 2)**. Make sure there is a minimum of 1/8" clearance between the top and bottom of the Mounting Bracket and the opening in the bumper. Secure the Mounting Bracket to the vehicle using the factory bolts and double nut plate, **(Figure 1)**. Check bumper alignment and tighten these (2) bolts at this time. **NOTE:** It may be necessary to loosen and readjust the bumper once the Grille Guard has been installed.
4. Repeat steps 2 & 3 for passenger side Frame Mounting Bracket installation.
5. Remove the license plate and bracket. Remove the plastic air dam from the bottom of the bumper and place it on a clean, stable work surface. Note the location and type of all factory hardware for reinstallation. **NOTE:** To release the 2-piece plastic clips, pry the center pin up with a small flat blade screwdriver.
6. Next, from under the driver side of the bumper, remove the (2) factory hex nuts on the outside of the frame channel, **(Figure 3)**. **NOTE:** Do not allow the double bolt plate to fall into the frame channel. Select the driver side Lower Mounting Bracket. Bolt the Mounting Bracket to the factory double bolt plate and secure with the (2) factory hex nuts, **(Figure 4)**. Do not tighten hardware at this time. Repeat this step for passenger side Lower Mounting Bracket installation.
7. With assistance, position the Grille Guard up to the outside of the Frame Mounting Brackets and Support Brackets. Attach the Grille Guard to the Frame Mounting Brackets using the

included (6) 12mm x 40mm Hex Bolts, (12) 12mm x 37mm OD Large Flat Washers, (6) 12mm Lock Washers and (6) 12mm Hex Nuts, **(Figure 5)**. Do not tighten hardware at this time.

8. Attach the Grille Guard to the Lower Mounting Brackets using the included (4) 12mm x 40mm Hex Bolts, (8) 12mm x 24mm OD STD Flat Washers, (4) 12mm Lock Washers and (4) 12mm Hex Nuts, **(Figure 4)**. Do not tighten hardware at this time.
9. Hold the plastic air dam up in position and mark the location of the Lower Mounting Brackets onto the top of the air dam, **(Figure 6 - 9)**. Measure the location of the Mounting Brackets and transfer these measurements onto the back of the air dam, **(Figure 6 & 8)**. Place the air dam back up to the (2) Lower Mounting Brackets to verify location. Check all measurements on the vehicle. Once absolutely satisfied, use a hacksaw blade or utility knife to carefully cut (2) openings in air dam, **(Figure 10)**. Check fit, trim as necessary and reinstall air dam over Lower Support Brackets with factory hardware. Do not cut through the top of bottom edge of the air dam. **NOTE:** It may be necessary to loosen or remove the Lower Mounting Brackets to reinstall the air dam. Reinstall the license plate and bracket.
10. Level and adjust Grille Guard and bumper, (if necessary), and tighten all hardware at this time.
11. Do periodic inspections to the installation to make sure that all hardware is secure and tight.

To protect your investment, wax this product after installing. Regular waxing is recommended to add a protective layer over the finish. Do not use any type of polish or wax that may contain abrasives that could damage the finish.

For stainless steel: Aluminum polish may be used to polish small scratches and scuffs on the finish. Mild soap may be used also to clean the Grille Guard.

For gloss black finishes: Mild soap may be used to clean the Grille Guard.

Driver Side Installation Pictured

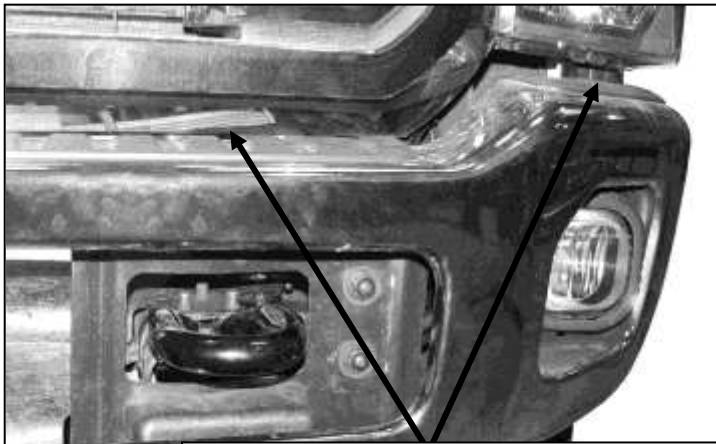


Fig 1

Before removing bumper bolts, measure gaps above bumper on driver and passenger side to relocate bumper

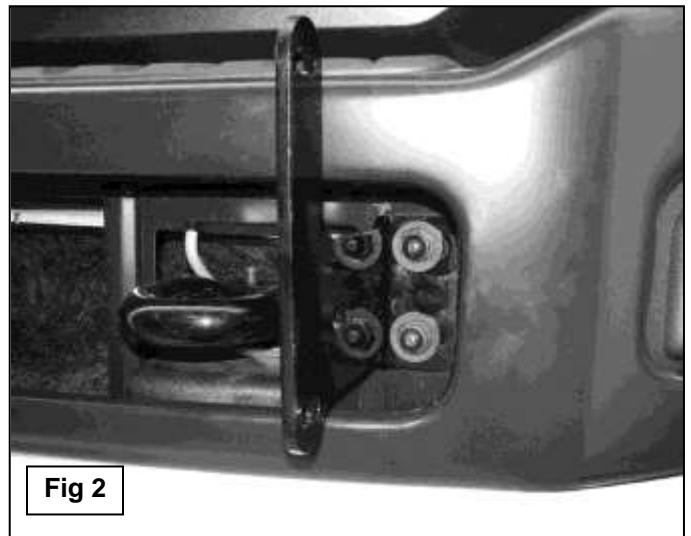
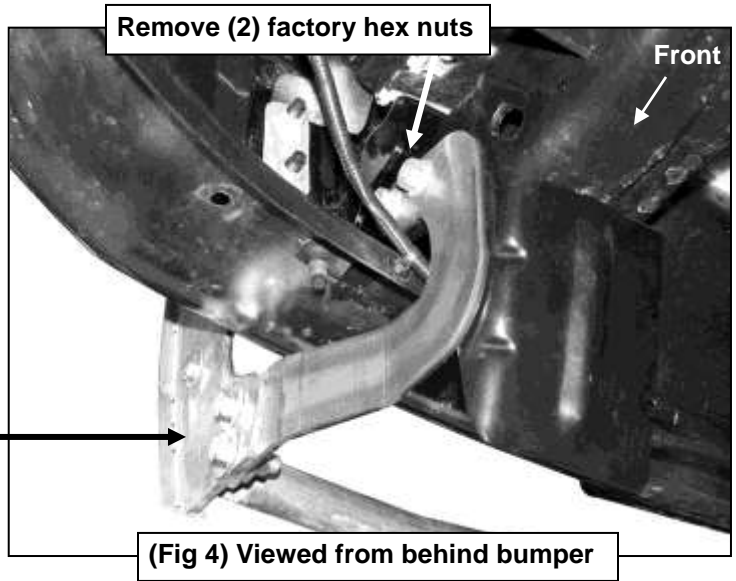
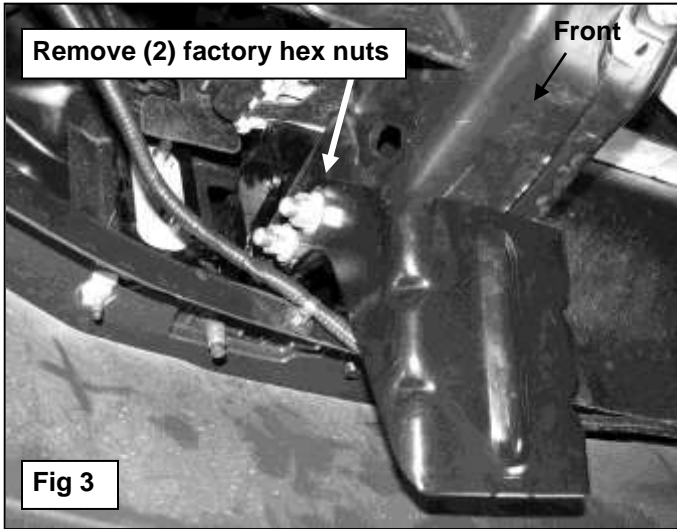


Fig 2

WARNING! Do not remove passenger and driver bumper bolts at the same time or bumper may fall. Only remove and install one Frame Mounting Bracket at a time.

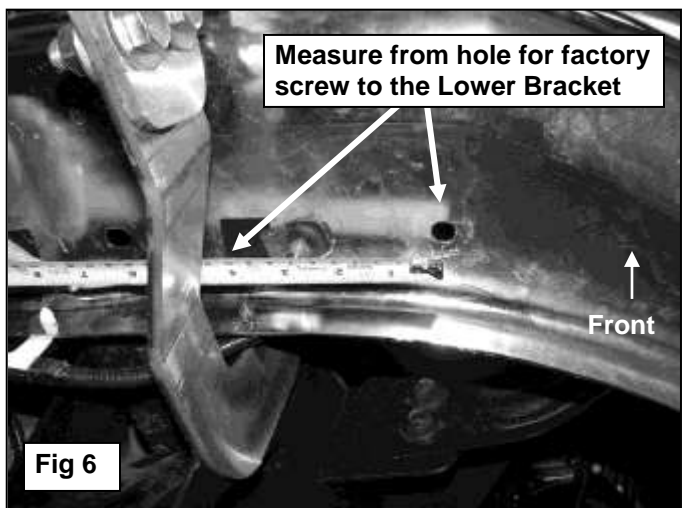
BLACK MODULAR GRILLE GUARD FOR FORD F250/F350/F450/F550 SUPERDUTY11-16
Driver Side Installation Pictured



- (2) 12mm x 40mm Hex Bolts
- (4) 12mm 24mm STD OD Flat Washers
- (2) 12mm Lock Washers
- (2) 12mm Hex Nuts



- (3) 12mm x 40mm Hex Bolts
- (6) 12mm 37mm Large OD Flat Washers
- (3) 12mm Lock Washers
- (3) 12mm Hex Nuts



BLACK MODULAR GRILLE GUARD FOR FORD F250/F350/F450/F550 SUPERDUTY11-16
Driver Side Installation Pictured

