



INSTALLATION INSTRUCTIONS

PART#:17EH26MSS \17EH26MA

MODULAR GRILL GUARD FOR JEEP LIBERTY 02-06

QTY	DESCRIPTION
1	guard, center section
1	brush guard, left side
1	brush guard, right side
1	wire guard insert, left side
1	wire guard insert, right side
1	lower support bracket-left
1	lower support bracket-right
1	hardware kit

NOTE: Please read this information before assembling. Check components received with components listed above. **NO DRILLING REQUIRED.** Complete step by step instruction sheets will be found on the following pages.

- 1st. Stage, mounting of guard to vehicle.
- 2nd. stage, attaching brush guards to center section.
- 3rd . stage, attaching wire head light guards.

IMPORTANT: To obtain correct installation, we recommend you to follow these step by step instructions carefully.

Illustrations are for reference only, styles vary with application. Please review the instruction sheet before proceeding to assemble product.

Please take care when assembling and installing this product to protect the finish and your investment. To protect your investment, wax this product after installing. Regular waxing is recommended. Do not use any type of polish or wax that contains abrasive that could damage the finish.

INSTALLATION INSTRUCTIONS

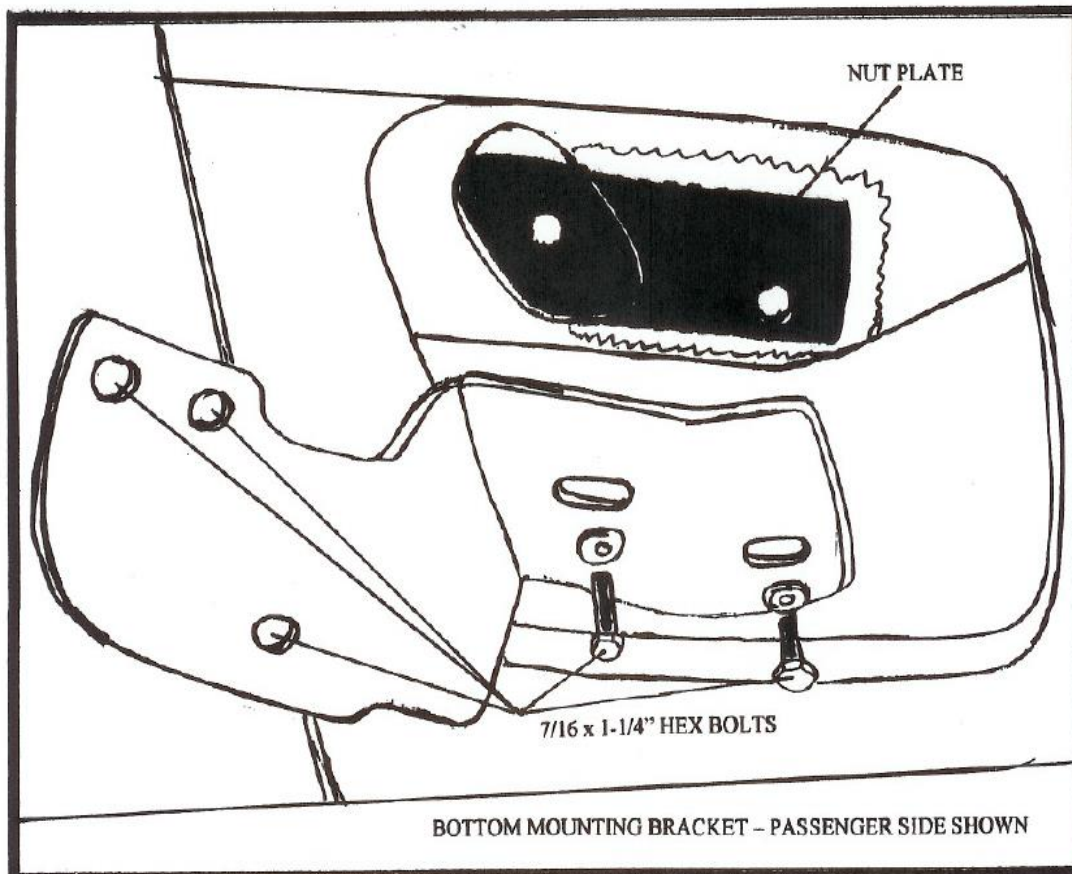
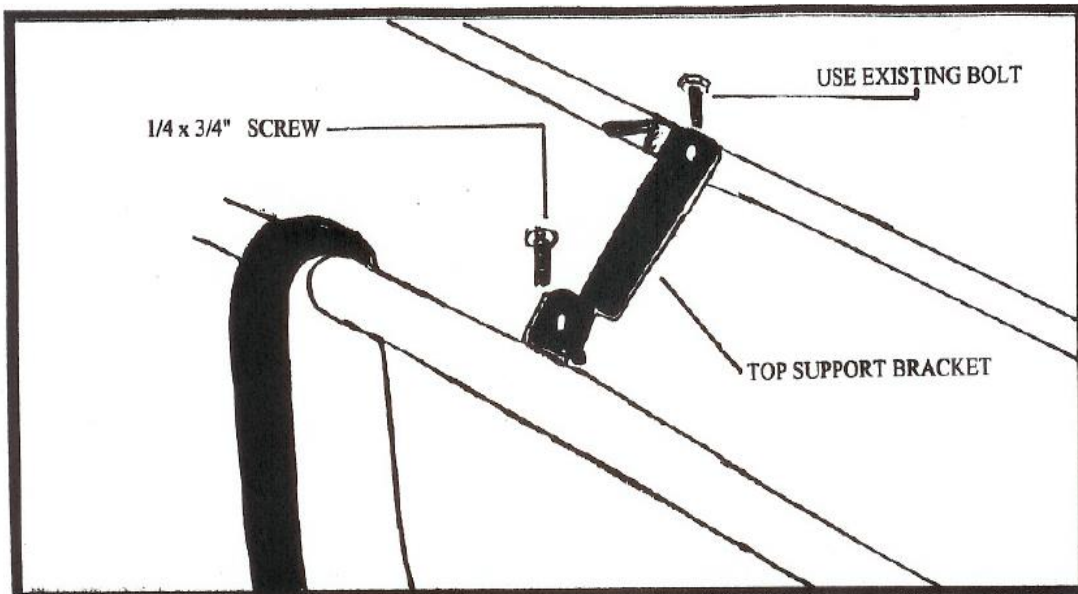
1ST STAGE

PARTS LIST

(1)-FRONT BAR
(2)-BOTTOM MOUNTING BRACKETS, (1)-TOP SUPPORT BRACKET
(10)-7/16x1-1/4" HEX BOLTS, (6)-7/16 HEX NUTS, (20)-7/16 FLAT WASHERS, (2)-7/16 NUT PLATES
(1)-1/4x3/4 SCREWS, (1)-1/4 HEX NUTS

INSTALLING THE FRONT BAR

1. FACTORY TOW HOOKS MUST BE REMOVED (IF EQUIPPED) TO INSTALL THE FRONT BAR ASSEMBLY.
2. START WITH THE PASSENGER SIDE, LOOK THROUGH THE OPENING IN THE BUMPER AND LOCATE THE HOLES IN THE BOTTOM OF THE STEEL BUMPER SECTION.
3. ATTACH THE NUT PLATE UP THROUGH THE LARGE HOLE IN THE BOTTOM OF THE STEEL BUMPER. **NOTE:** INSERT THE END WITH THE OFFSET WELD NUT FIRST AND ALIGN THE BRACKET WITH THE LARGE AND SMALL HOLE IN THE STEEL BUMPER (SEE ILLUSTRATION)
4. ATTACH THE BOTTOM MOUNTING BRACKET (PASSENGER SIDE SHOWN) TO THE BOTTOM OF THE STEEL BUMPER USING THE NUT PLATE, 7/16 x 1-1/4" HEX BOLTS, WASHERS AND HEX NUTS.
5. REPEAT STEPS 3 & 4 FOR THE DRIVER SIDE.
6. ATTACH THE FRONT BAR ASSEMBLY TO THE INNER SIDE OF THE BOTTOM MOUNTING BRACKETS USING THE 7/16 x 1-1/4" HEX BOLTS, WASHERS AND HEX NUTS. **NOTE:** DO NOT OVER TIGHTEN FASTENERS, THIS WILL HELP ALIGN THE FRONT BAR.
7. OPEN THE HOOD, LOCATE EXISTING BOLT SECURING THE LEVER. ATTACH THE TOP SUPPORT BRACKET TO THE EXISTING BOLT SECURING THE LEVER, AND TO THE BOTTOM OF THE FRONT BAR TOP TUBE USING THE 1/4" x 3/4" SCREW AND 1/4" HEX NUT. (SEE ILLUSTRATION)
8. ALIGN THE FRONT BAR ASSEMBLY WITH THE FRONT BUMPER OF THE VEHICLE AND TIGHTEN ALL FASTENERS.



INSTALLATION INSTRUCTION

2nd STAGE

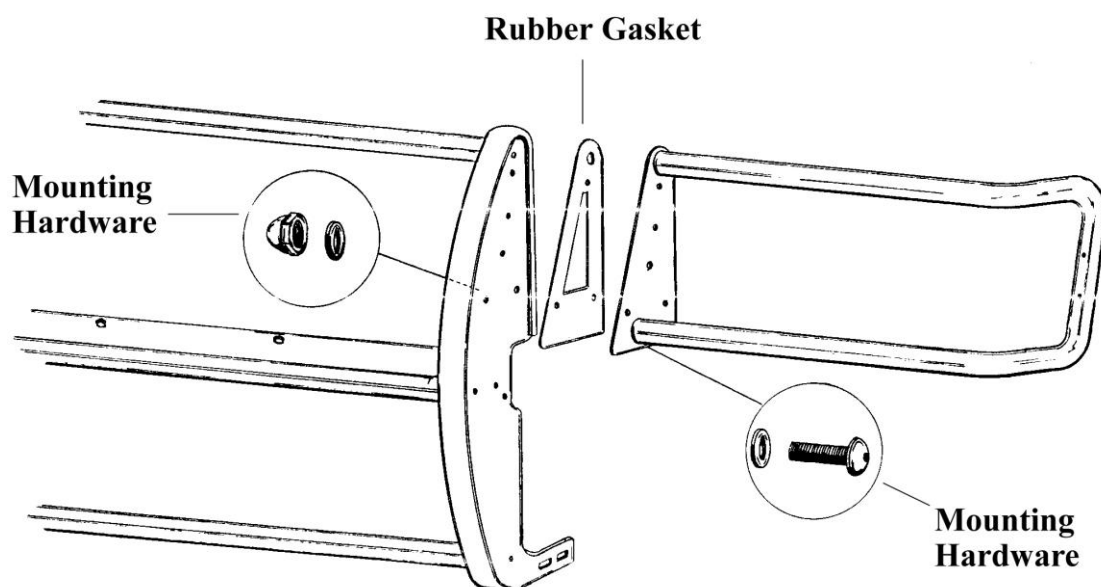
Step One: Locate hardware. Check contents with the hardware listed below.

QTY	DESCRIPTION
6	M8-1.25 x 20 button head bolts, stainless steel
6	M8-1.25 acorn nuts, stainless steel
12	M8 flat washers, stainless steel
2	rubber gaskets

Step Two: Securing brush guards to center section. Locate the following item's listed below.

QTY	DESCRIPTION
1	brush guard, left side
1	brush guard, right side

Assemble the brush guards to the center section of the guard as shown in illustration below. Use the hardware from step one to secure the parts together. Be sure to fully tighten all hardware at this time. Proceed ahead to stage four of the instruction sheet.



INSTALLATION INSTRUCTION

3rd STAGE

Step One: Locate hardware. Check contents with the hardware listed below.

QTY	DESCRIPTION
8	M6-1.00 x 25mm button head bolts, stainless steel
4	M6-1.00 acorn nuts, stainless steel
12	M6 flat washers, stainless steel
4	rubber gaskets

Step Two: Securing wire insert to brush guards. Locate the following item's listed below.

QTY	DESCRIPTION
2	wire guard insert, left & right side

Attach one rubber gasket to each end of the wire guard. Peel the paper backing off the rubber gasket. Place the gasket on the end of the bracket and press firmly till the gasket is secured in place.

Position the wire insert on the driver's side of the vehicle. Align the two holes in the bracket with the two holes in the brush guard as shown in illustration below. Using the hardware listed in step one, secure the wire insert to the brush guard. Be sure to fasten both ends before fully tightening hardware. Repeat this procedure on the opposite side of the vehicle. Be sure to use all hardware supplied and tighten all bolts.

