



# **INSTALLATION INSTRUCTIONS**

**PART#:17EB26MSS\17EB26MA**

**MODULAR GRILL GUARD FOR JEEP GRAND CHEROKEE 99-04**

QTY	DESCRIPTION
1	guard, center section
1	brush guard, left side
1	brush guard, right side
1	wire guard insert, left side
1	wire guard insert, right side
1	lower support bracket-left
1	lower support bracket-right
1	hardware kit

**NOTE:** Please read this information before assembling. Check components received with components listed above. **NO DRILLING REQUIRED.** Complete step by step instruction sheets will be found on the following pages.

- 1<sup>st</sup>. Stage, mounting of guard to vehicle.
- 2<sup>nd</sup>. stage, attaching brush guards to center section.
- 3<sup>rd</sup>. stage, attaching wire head light guards.

**IMPORTANT:** To obtain correct installation, we recommend you to follow these step by step instructions carefully.

Illustrations are for reference only, styles vary with application. Please review the instruction sheet before proceeding to assemble product.

Please take care when assembling and installing this product to protect the finish and your investment. To protect your investment, wax this product after installing. Regular waxing is recommended. Do not use any type of polish or wax that contains abrasive that could damage the finish.

# INSTALLATION INSTRUCTIONS

## 1<sup>ST</sup> STAGE

### PARTS LIST

1-FRONT BAR	10-M12×35 HEX BOLTS
1-MOUNTING FRAME BRACKET (DRIVER SIDE)	20- φ 12 FLAT WASHERS
1-MOUNTING FRAME BRACKET (PASSANGER SIDE)	10- φ 12 SELF TAPPING NUTS
6- SELF TAPPING BOLTS	

### INSTALLING THE FRAME MOUNTING BRACKETS

STEP1: REMOVE FACTORY TOW HOOKS FROM FRONT SECTION OF VEHICLE (NOTE:DO NOT THROW AWAY THE FACTORY BOLTS . THEN WILL BE REUSE TO ATTC THE MOUNTING BRACKETS).

STEP2: ALIGN DRIVER SIDE MOUNTING BRACKAT TO THE BOTTOM EDGE EXSTING HOLES WHICH ATTACH THE HOOK.POSITION BRACKET IN MANNER SHOWN BELOW.

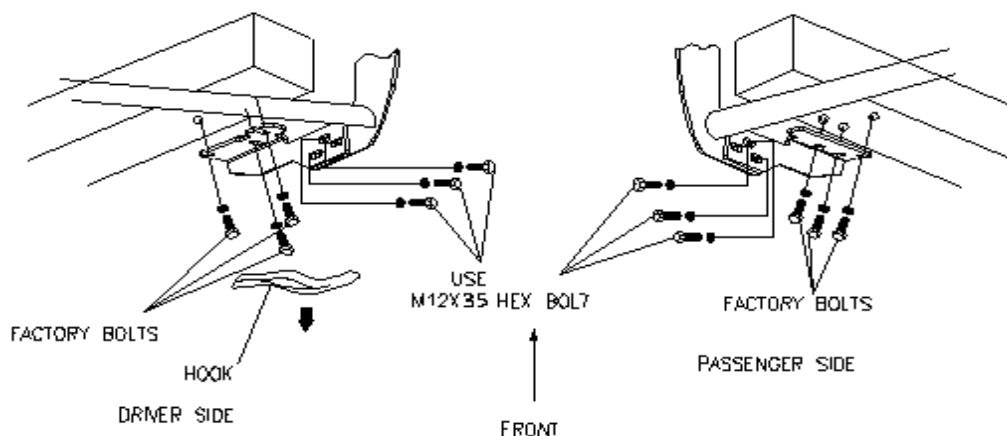
STEP3: ATTACH MOUNTING FRAME BRACKETS USING FACTORY BOLTS AND φ 12 FLAT WASHERS..(HAND LIGHTEN AS YOU HAVE TO MOVE THE BRACKETS AROUND SLIGHTLY,TO ALIGN THE FRONT BAR)

STEP4: REPEAT STEP2 AND STEP 3 TO INSTALL THE PASSENGER SIDE.

### INSTALLING THE FRONT BAR

1. LINE UP THE THREE HOLES ON THE LOWER PORTION OF THE FRONT BAR WITH THREE HOLES ON THE MOUNTING FRAME BRACKETS (INNEI EDGE) USINGTHE M12×35 HEX BOLTS, M12 HEX NUTS AND φ 12 FLAT WASHERS TO FASTEN THE FRONT BAR TO THE MOUNTING FRAME BRACKETS.ONCE THE FRONT BAR IS ATTACHED TO THE MOUTING BRACKETS, ALIGN THE LEFT AND RIGTH SIDE OF THE FRONT BAR TO THE BUMPER.
2. ONCE SATISFIED THAT LEFT AND RIGTH SIDE AER EQUAL DISTANCE FROM THE BUMPER TIGHTEN ALL FASTENERS.

NOTE: IT IS ADVISABLE TO RE CHECK ALL FASTENERS FOR TIGHTNESSS AFTER ONE WEEK.



# INSTALLATION INSTRUCTION

## 2<sup>nd</sup> STAGE

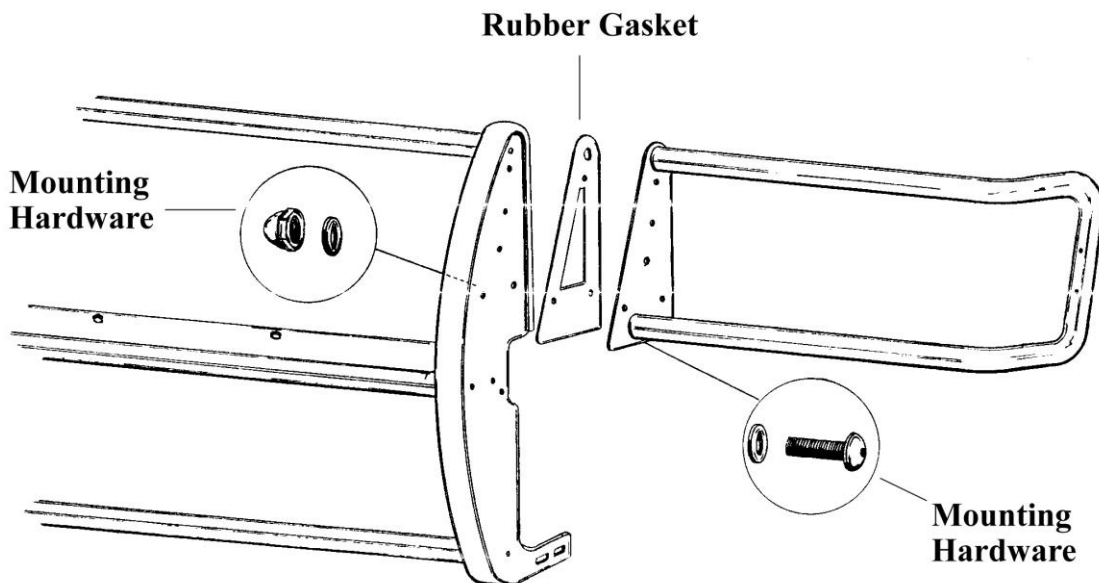
Step One: Locate hardware. Check contents with the hardware listed below.

QTY	DESCRIPTION
6	M8-1.25 x 20 button head bolts, stainless steel
6	M8-1.25 acorn nuts, stainless steel
12	M8 flat washers, stainless steel
2	rubber gaskets

Step Two: Securing brush guards to center section. Locate the following item's listed below.

QTY	DESCRIPTION
1	brush guard, left side
1	brush guard, right side

Assemble the brush guards to the center section of the guard as shown in illustration below. Use the hardware from step one to secure the parts together. Be sure to fully tighten all hardware at this time. Proceed ahead to stage four of the instruction sheet.



# INSTALLATION INSTRUCTION

## 3<sup>rd</sup> STAGE

Step One: Locate hardware. Check contents with the hardware listed below.

QTY	DESCRIPTION
8	M6-1.00 x 25mm button head bolts, stainless steel
4	M6-1.00 acorn nuts, stainless steel
12	M6 flat washers, stainless steel
4	rubber gaskets

Step Two: Securing wire insert to brush guards. Locate the following item's listed below.

QTY	DESCRIPTION
2	wire guard insert, left & right side

Attach one rubber gasket to each end of the wire guard. Peel the paper backing off the rubber gasket. Place the gasket on the end of the bracket and press firmly till the gasket is secured in place.

Position the wire insert on the driver's side of the vehicle. Align the two holes in the bracket with the two holes in the brush guard as shown in illustration below. Using the hardware listed in step one, secure the wire insert to the brush guard. Be sure to fasten both ends before fully tightening hardware. Repeat this procedure on the opposite side of the vehicle. Be sure to use all hardware supplied and tighten all bolts.

