



INSTALLATION INSTRUCTIONS

**PART#:17DG105MSS\17DG105MA
MODULAR GRILL GUARD FOR DODGE RAM 1500 02-05**

| QTY | DESCRIPTION |
|-----|-------------------------------|
| 1 | guard, center section |
| 1 | brush guard, left side |
| 1 | brush guard, right side |
| 1 | wire guard insert, left side |
| 1 | wire guard insert, right side |
| 1 | lower support bracket-left |
| 1 | lower support bracket-right |
| 1 | hardware kit |

NOTE: Please read this information before assembling. Check components received with components listed above. **NO DRILLING REQUIRED.** Complete step by step instruction sheets will be found on the following pages.

- 1st. Stage, mounting of guard to vehicle.
- 2nd. stage, attaching brush guards to center section.
- 3rd . stage, attaching wire head light guards.

IMPORTANT: To obtain correct installation, we recommend you to follow these step by step instructions carefully.

Illustrations are for reference only, styles vary with application. Please review the instruction sheet before proceeding to assemble product.

Please take care when assembling and installing this product to protect the finish and your investment. To protect your investment, wax this product after installing. Regular waxing is recommended. Do not use any type of polish or wax that contains abrasive that could damage the finish.

INSTALLATION INSTRUCTIONS

1ST STAGE

| QTY | DESCRIPTION |
|-----|---|
| 2 | Lower Support Brackets (1500 only) |
| 1 | Lower Support Brackets-left (2500 only) |
| 1 | Lower Support Bracket-right (2500 only) |
| 1 | Upper Support bracket-left |
| 1 | Upper Support Bracket-right |
| 1 | Upper Support "L" Bracket-left (small) |
| 1 | Upper Support "L" Bracket-right (small) |
| 6 | M12 x 30 Hex Bolt-zinc plated |
| 6 | M12 Lock Nut-zinc plated |
| 12 | M12 Flatwasher-zinc plated |
| 4 | M10 x 25 Hex Bolt-zinc plated |
| 4 | M10 Lock Nut-zinc plated |
| 8 | M10 Flatwasher-zinc plated |
| 2 | M10 x 25 Button Head Bolt |

Step One: Locate the left and right lower support brackets. Remove the two left side factory bumper nuts and place the left bracket into position. Secure with the factory nuts as shown in Fig.1.a (or) Fig 1.b Repeat this process for the other side.

Step Two: Loosely attach the Grille Guard to the lower support brackets with the M12 hardware as shown in Fig.2

Step Three: Open the hood to gain access to the top bumper bolts and remove the factory nuts. Orient the Upper Support L-Brackets as per Fig 3. Secure with factory nuts. Orient the Upper Support Brackets as per Fig 4 and secure to the L-Brackets with the M10 hardware provided.

Step Four: Attach the Upper Support Brackets to the Grille Guard with the remaining M10 hardware.

Step Five: After checking for proper clearance and alignment of the Grille Guard on the vehicle fully tighten all hardware.

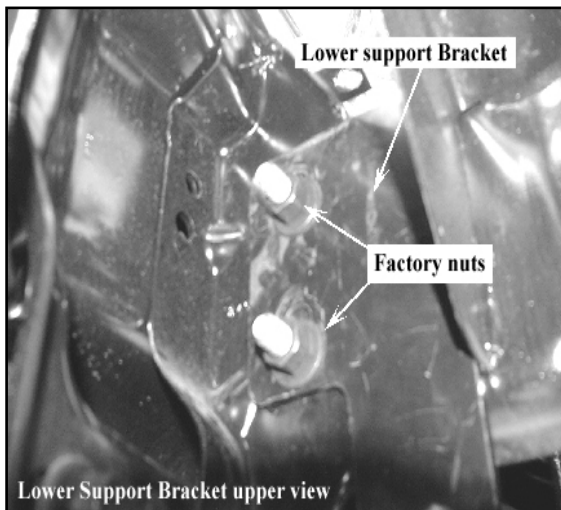


Figure 1.a (1500 only)

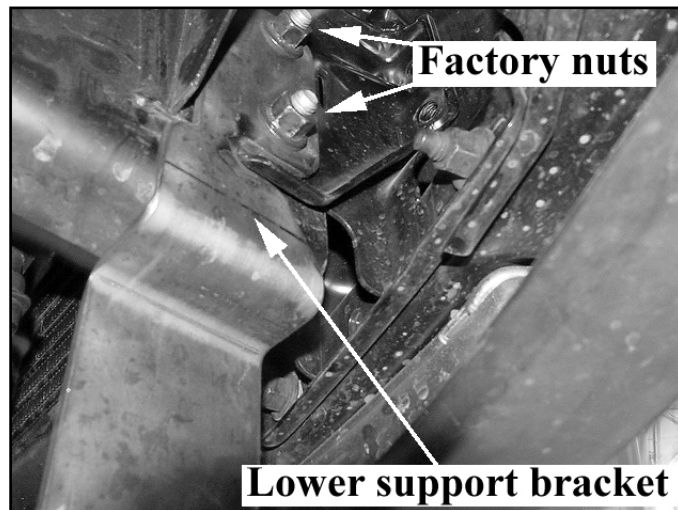


Figure 1.b (2500 only)

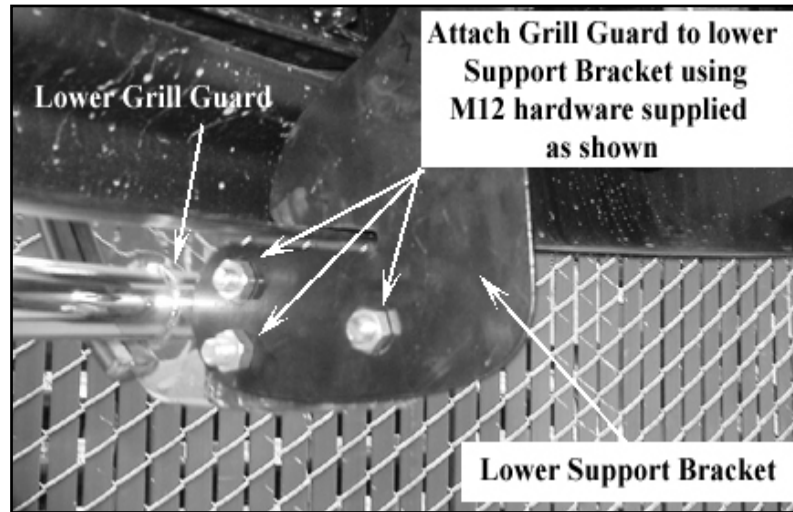


Figure 2

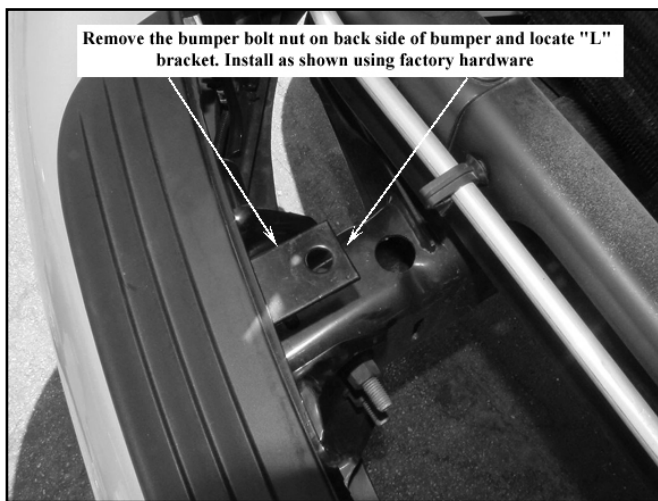


Figure 3

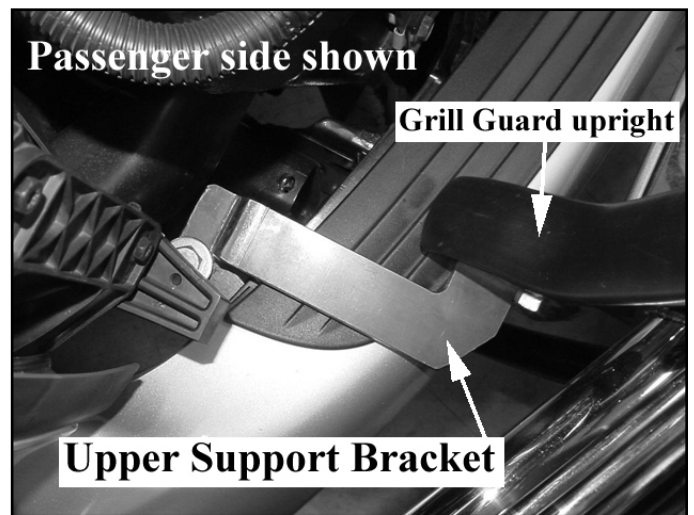


Figure 4

Please take care when assembling and installing this product to protect the finish and your investment. To protect your investment, wax this product after installing. Regular waxing is recommended. Do not use any type of polish or wax that contains abrasive that could damage the finish.

INSTALLATION INSTRUCTION

2nd STAGE

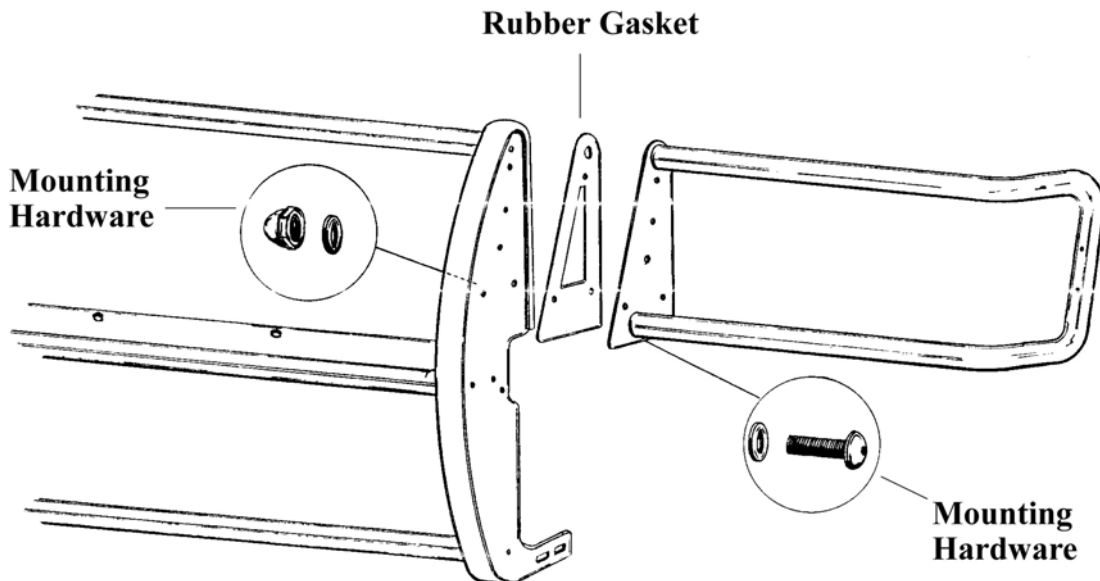
Step One: Locate hardware. Check contents with the hardware listed below.

| QTY | DESCRIPTION |
|-----|---|
| 6 | M8-1.25 x 20 button head bolts, stainless steel |
| 6 | M8-1.25 acorn nuts, stainless steel |
| 12 | M8 flat washers, stainless steel |
| 2 | rubber gaskets |

Step Two: Securing brush guards to center section. Locate the following item's listed below.

| QTY | DESCRIPTION |
|-----|-------------------------|
| 1 | brush guard, left side |
| 1 | brush guard, right side |

Assemble the brush guards to the center section of the guard as shown in illustration below. Use the hardware from step one to secure the parts together. Be sure to fully tighten all hardware at this time. Proceed ahead to stage four of the instruction sheet.



INSTALLATION INSTRUCTION

3rd STAGE

Step One: Locate hardware. Check contents with the hardware listed below.

| QTY | DESCRIPTION |
|-----|---|
| 8 | M6-1.00 x 25mm button head bolts, stainless steel |
| 4 | M6-1.00 acorn nuts, stainless steel |
| 12 | M6 flat washers, stainless steel |
| 4 | rubber gaskets |

Step Two: Securing wire insert to brush guards. Locate the following item's listed below.

| QTY | DESCRIPTION |
|-----|--------------------------------------|
| 2 | wire guard insert, left & right side |

Attach one rubber gasket to each end of the wire guard. Peel the paper backing off the rubber gasket. Place the gasket on the end of the bracket and press firmly till the gasket is secured in place.

Position the wire insert on the driver's side of the vehicle. Align the two holes in the bracket with the two holes in the brush guard as shown in illustration below. Using the hardware listed in step one, secure the wire insert to the brush guard. Be sure to fasten both ends before fully tightening hardware. Repeat this procedure on the opposite side of the vehicle. Be sure to use all hardware supplied and tighten all bolts.

