



INSTALLATION INSTRUCTIONS
PART#:17A110200MA/ 17A110200MSS
MODULAR GRILL GUARD FOR NISSAN PATHFINDER 05-07

QTY	DESCRIPTION
1	guard, center section
1	brush guard, left side
1	brush guard, right side
1	wire guard insert, left side
1	wire guard insert, right side
1	lower support bracket-left
1	lower support bracket-right
1	hardware kit
1	hood bar

NOTE: Please read this information before assembling. Check components received with components listed above. **NO DRILLING REQUIRED.** Complete step by step instruction sheets will be found on the following pages.

- 1st. Stage, mounting of guard to vehicle.
- 2nd. stage, attaching brush guards to center section.
- 3rd. stage, attaching wire head light guards.

IMPORTANT: To obtain correct installation, we recommend you to follow these step by step instructions carefully.

Illustrations are for reference only, styles vary with application. Please review the instruction sheet before proceeding to assemble product.

Please take care when assembling and installing this product to protect the finish and your investment. To protect your investment, wax this product after installing. Regular waxing is recommended. Do not use any type of polish or wax that contains abrasive that could damage the finish.

INSTALLATION INSTRUCTIONS

1ST STAGE

PARTS LIST

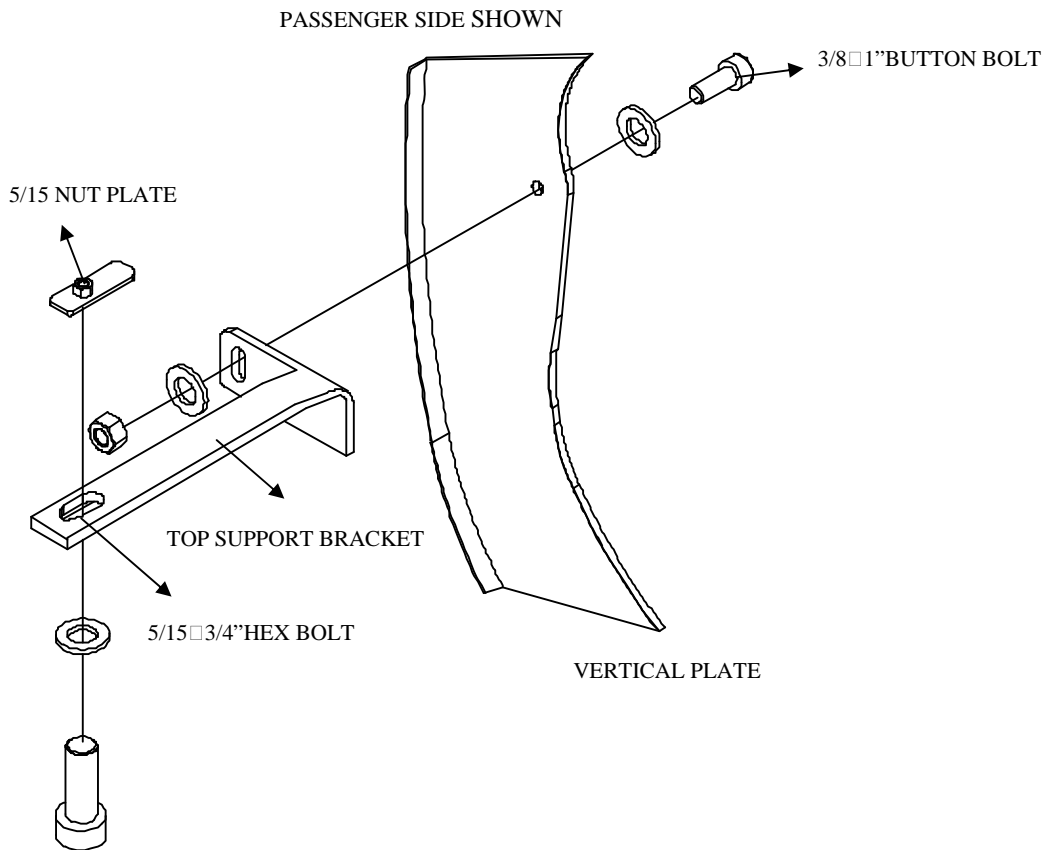
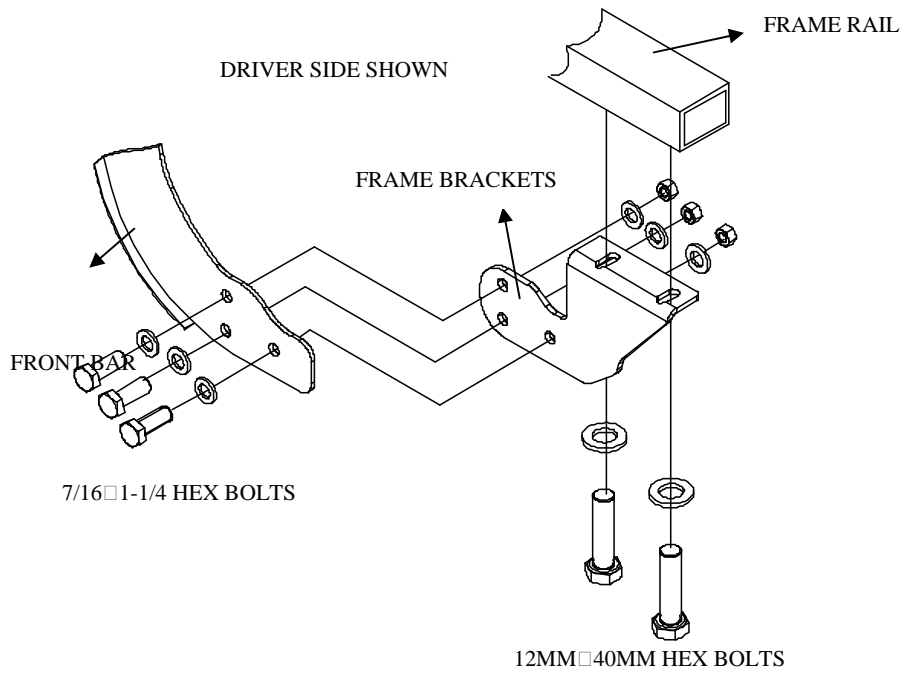
(2)-FRAME BRACKETS	(2)-TOP SUPPORT BRACKET
(6)-7/16X 1-1/4"HEX BOLTS	(6)-7/16 NYLON LOCK NUTS
(12)-7/16 FLAT WASHERS	(2)-1/4X 3/4" SCREWS
(2)-1/4 HEX NUTS	(2)-1/4 FLAT WASHERS
(2)-M12-1.25X 40MM BOLTS	(2)-1/2 WASHERS
(2)-5/16X 1" HEX BOLTS	(2)- FLAT WASHERS
(2)-5/16 NUT PLATES	

INSTALLING FRAME BRACKETS AND FRONT BAR

1. REMOVE LOWER AIR DAM FROM FRONT BUMPER (REMOVE TEMPORARY)
2. REMOVE TIE DOWN FROM BOTTOM OF PASSENGER SIDE FRAME RAIL. DISCARD TIE DOWN. USING THE BOLTS FROM THE TIE DOWN. ATTACH PASSENGER SIDE FRAME BRACKET TO BOTTOM OF THE FRAME.BOLT UP FINGER TIGHT.
3. ATTACH DRIVER SIDE FRAME BRACKET (DRIVER SIDE SHOWN) USING THE 12MM-1.25X40MM HEX BOLTS AND 1/2 WASHERS.BOLT UP FINGER TIGHT.
4. USE A UTILITY KNIFE AND CAREFULLY CUT SLOT IN THE BOTTOM PLASTIC AIR DAM TO FIT AROUND THE FRAME BRACKETS. REATTACH LOWER AIR DAM.
5. LINE UP THE THREE HOLES ON THE LOWER PORTION OF THE BAR WITH THE THREE OF THE HOLES IN THE FRAME BRACKETS(**OUTER EDGE**).ATTACH FRONT BAR USING THE 7/16X1-14 HEX BOLTS. 7/16 NYLON LOCK NUTS AND 7/16 FLAT WASHERS. SNUG TIGHT ONLY.

INSTALLING TOP SUPPORT BRACKETS

1. ATTACH TOP SUPPORT BRACKETS UNDERNEATH CENTER PLATE OF THE FRONT BAR (SHORTER END AS SHOWN) USING THE 1/4X3/4 SCREWS.
2. SLIDE THE 5/16 NUT PLATE THROUGH THE INSIDE OF BUMPER AS SHOWN TO ATTACH THE LONGER END OF THE TOP SUPPORT BRACKETS SECURE USING THE 5/16X1" HEX BOLTS AND 5/16 FLAT WASHERS.
3. ALIGN FRONT BAR ASSEMBLY WITH FRONT OF THE VEHICLE AND SECURE ALL FASTENERS.



INSTALLATION INSTRUCTION

2nd STAGE

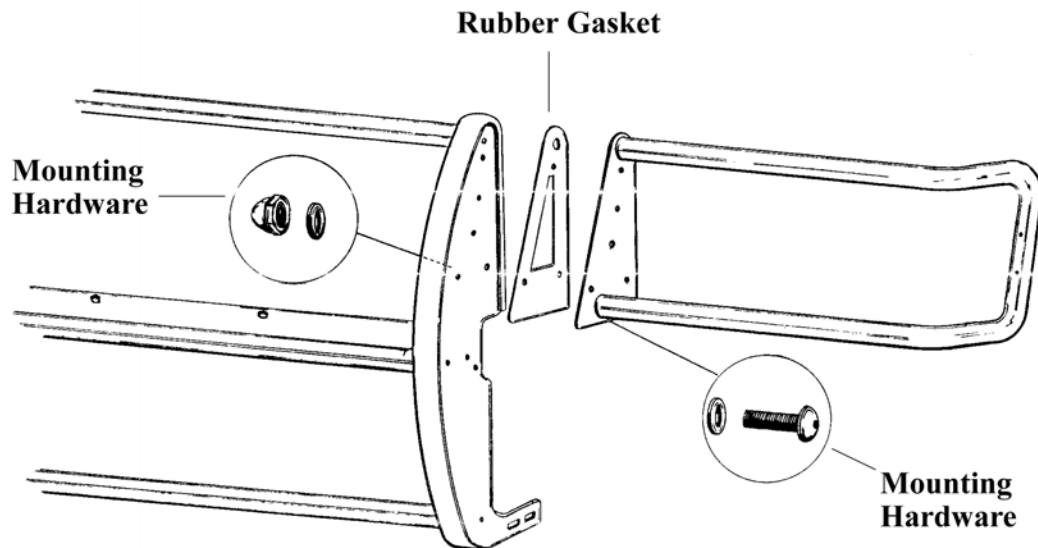
Step One: Locate hardware. Check contents with the hardware listed below.

QTY	DESCRIPTION
6	M8-1.25 x 20 button head bolts, stainless steel
6	M8-1.25 acorn nuts, stainless steel
12	M8 flat washers, stainless steel
2	rubber gaskets

Step Two: Securing brush guards to center section. Locate the following item's listed below.

QTY	DESCRIPTION
1	brush guard, left side
1	brush guard, right side

Assemble the brush guards to the center section of the guard as shown in illustration below. Use the hardware from step one to secure the parts together. Be sure to fully tighten all hardware at this time. Proceed ahead to stage four of the instruction sheet.



INSTALLATION INSTRUCTION

3rd STAGE

Step One: Locate hardware. Check contents with the hardware listed below.

QTY	DESCRIPTION
8	M6-1.00 x 25mm button head bolts, stainless steel
4	M6-1.00 acorn nuts, stainless steel
12	M6 flat washers, stainless steel
4	rubber gaskets

Step Two: Securing wire insert to brush guards. Locate the following item's listed below.

QTY	DESCRIPTION
2	wire guard insert, left & right side

Attach one rubber gasket to each end of the wire guard. Peel the paper backing off the rubber gasket. Place the gasket on the end of the bracket and press firmly till the gasket is secured in place.

Position the wire insert on the driver's side of the vehicle. Align the two holes in the bracket with the two holes in the brush guard as shown in illustration below. Using the hardware listed in step one, secure the wire insert to the brush guard. Be sure to fasten both ends before fully tightening hardware. Repeat this procedure on the opposite side of the vehicle. Be sure to use all hardware supplied and tighten all bolts.

