

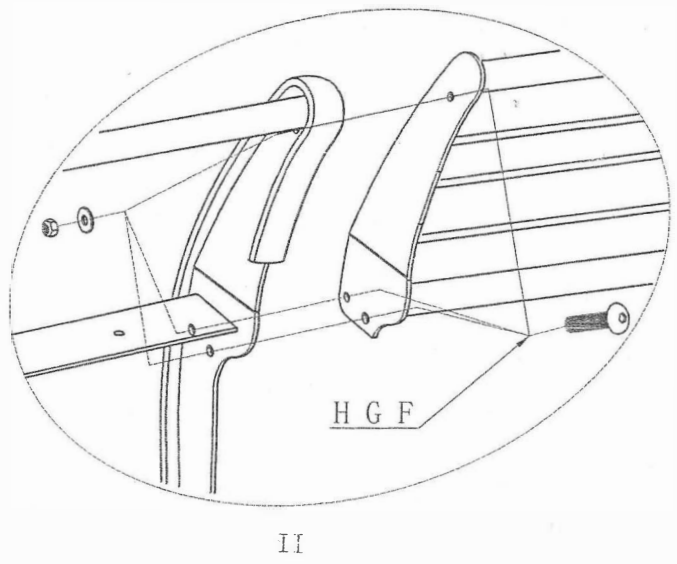
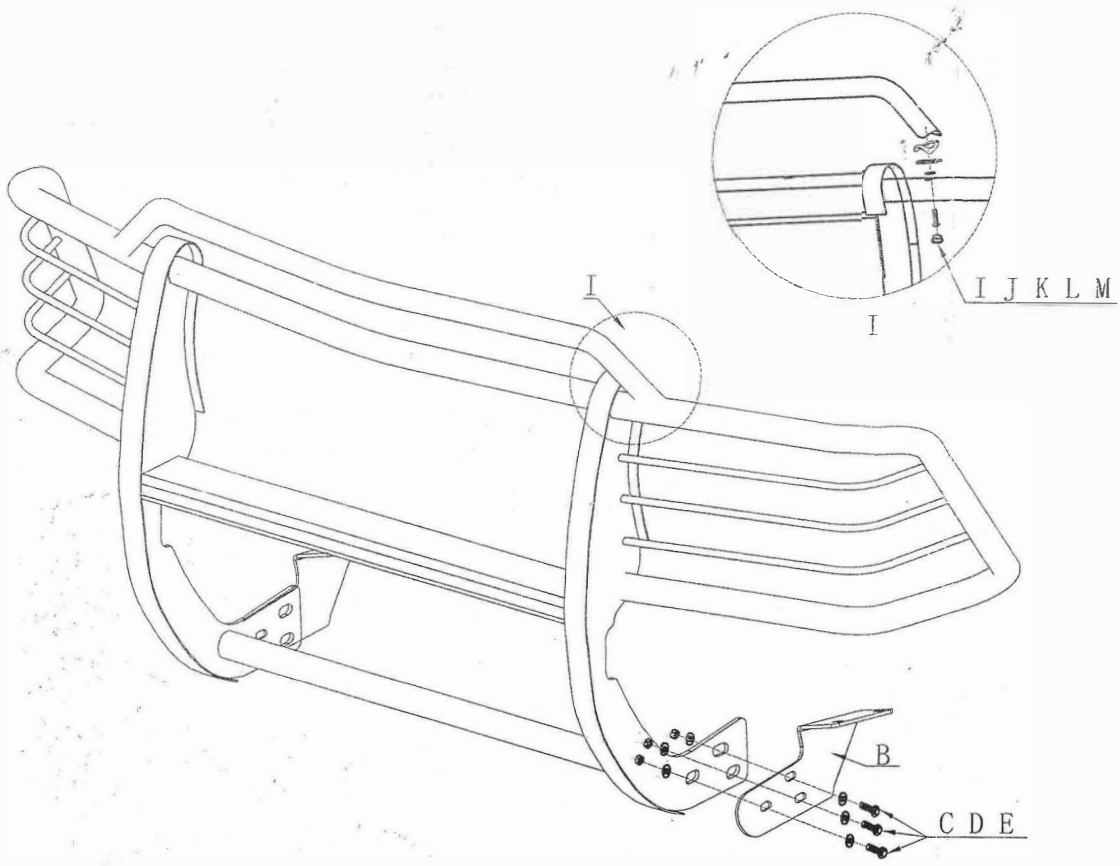
Installation Instruction

Product Name: Grille Guard

Part Number: 17A030200MA



5-10 Modular



Parts list:

 A Grille guard (1 piece)	 B Mount bracket (2 pieces, lateral symmetry)	 C M12X35 hex head bolt (6 pieces)	 D M12 flat washer (12 pieces)	 E M12 nut (6 pieces)	 F M10X25 bolt (6 pieces)
 G M10 flat washer (12 pieces)	 H M10 nut (6 pieces)	 I Rubber Cover (2 Pieces)	 J U-washer (2 Pieces)	 K M6 flat washer (4 pieces)	 L M6X25 bolt (2 pieces)
 M Rubber Plug (2 Pieces)	 N M6 Hexangular Spanner (1 Piece)				

INSTALLATION STEPS

1. Check the parts in the box carefully if match above list.
2. Pls prepare the tools for installation, follow as :14-17、17-19 wrench.
3. Put the mount bracket(B) on the girder of the car , with Existing bolts, then tighten it.
4. Install the grille guard(A) on the mount bracket(B) with M12X35 hex head bolt(C), then tighten it.