



INSTALLATION INSTRUCTION

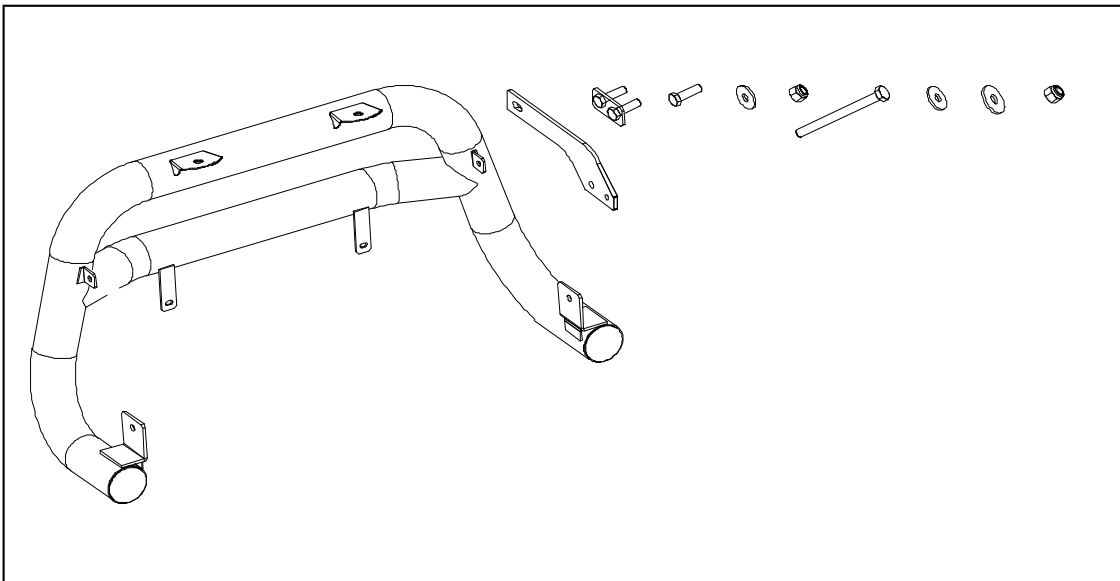
PART # BB160006/BB160006A
BULL BAR FOR KIA SORENTO 03-10

ATTENTION

- Read the instructions completely before you begin the installation. NOTE: Pictures are for reference only, actual parts may be different. Installation is the same.
- You may need to periodically to re-tighten all hardware, such as one month or two month.

PART LIST

No.	Name	Qty	Remarks	No.	Name	Qty	Remarks
	Grille guard	1			Hex nut	6	M8
	Connecting plate	2			Hex bolt	2	M12×100
	Plate bolt	2	M8×25		Flat washer	4	12mm
	Hex bolt	2	M8×25		Flat washer	2	14mm
	Flat washer	8	8mm		Hex nut	2	M12

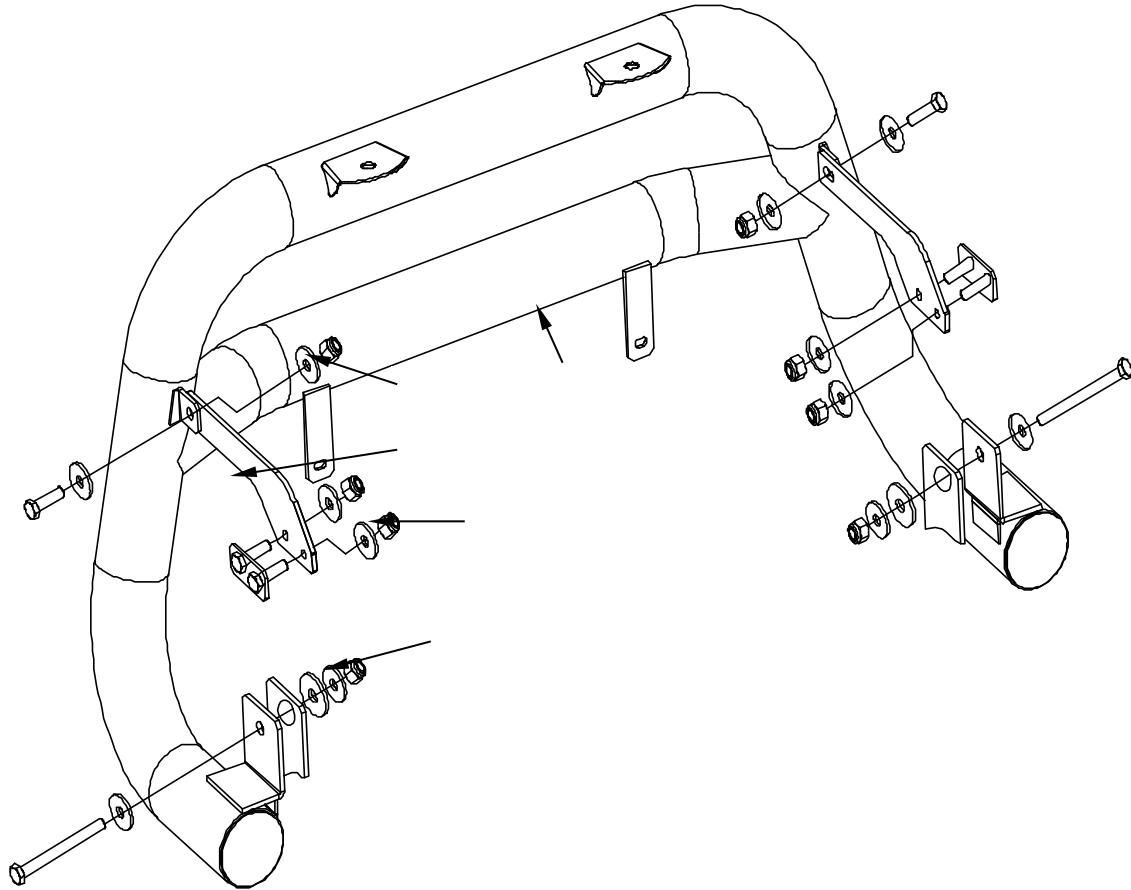
**INSTALLATION STEPS**

STEP 1: Before you start the installation, make sure that you have all the components listed above.

STEP 2: Please protect your vehicles from being scratched during the process of installing the grille guard.

STEP 3: Install grille guard to the vehicle as shown in Fig.

Fig.



STEP 4: Retighten the hardware as necessary.

STEP 5: Test and make sure that the grille guard is steadily fixed.

STEP 6: Installation is finished.