



# INSTALLATION INSTRUCTIONS

## 2.5" BULL BAR W/O SKID PLATE FOR 08 NISSAN ROGUE PART #:BB116703\BB116703A

### PARTS LIST:

1	City Bar	8	12mm ID x 29mm OD x 3mm Flat Washers
1	Driver/Left Mounting Bracket	2	8-1.25mm x 30mm Hex Head Bolts
1	Passenger/Right Mounting Bracket	2	8mm Lock Washers
4	12-1.75mm x 35mm Hex Head Bolts	2	8mm ID x 22mm OD x 1.5mm Flat Washers
4	12mm Lock Washers		
4	12mm Hex Nuts		



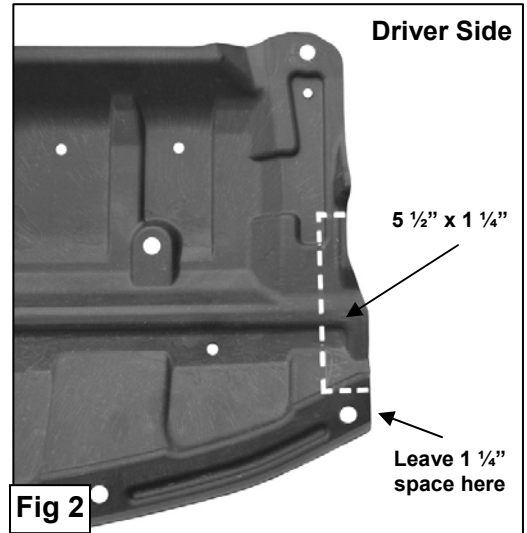
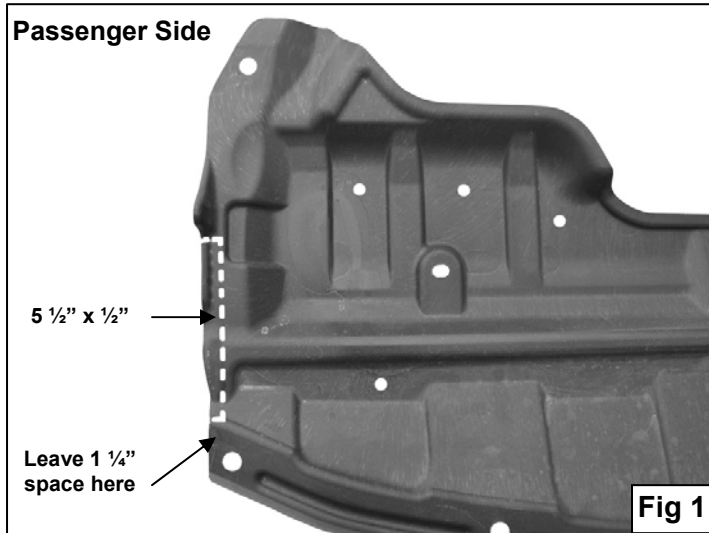
### PROCEDURE:

1. REMOVE CONTENTS FROM BOX. VERIFY ALL PARTS ARE PRESENT. READ INSTRUCTIONS CAREFULLY BEFORE STARTING INSTALLATION.
2. From underside of vehicle, remove the front plastic rocker guard and place it on a clean working area. Use a sharp knife to cut out the marked area on both sides of the plastic shroud (5 1/2" x 1/2" on the passenger side, 5 1/2" x 1 1/4" on the driver side). Start cutting 1 1/4" from the front of the plastic shroud (**Figure 1 & 2**).
3. Once you cut both areas on the plastic shroud, re-install it back to the vehicle using the factory fasteners.
4. Remove the driver side body mount bolt and the factory bolt in the radiator support located right above the body mount (**Figure 3**).
5. Position driver side Mounting Bracket and loosely attach it to vehicle using the factory body mount bolt and by replacing the radiator support bolt with the included (1) 8mm x 30mm Hex Head Bolt, (1) 8mm Lock Washer, and (1) 8mm Flat Washer (**Figure 4 & 5**).
6. Repeat steps 4 & 5 for passenger side Mounting Bracket.
7. With help position Sport Bar on the outer side of Mounting Brackets and attach it using the included (4) 12mm x 35mm Hex Head Bolts, (4) 12mm Lock Washers, (4) 12mm Hex Nuts, and (8) 12mm Flat Washers (**Figure 6**).
8. Adjust Sport Bar Properly and then tighten all hardware at this time.
9. Do periodic inspections to the installation to make sure that all hardware is secure and tight.

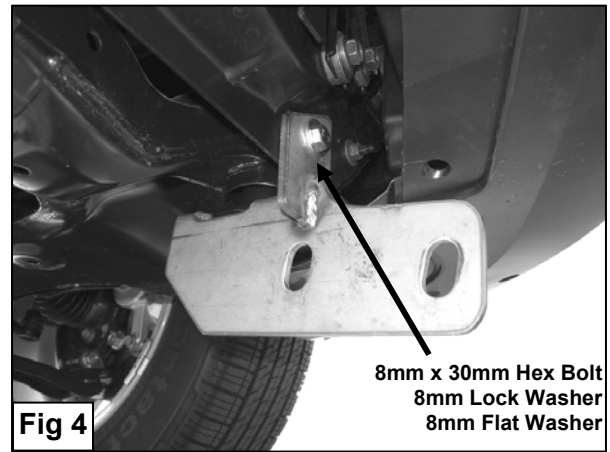
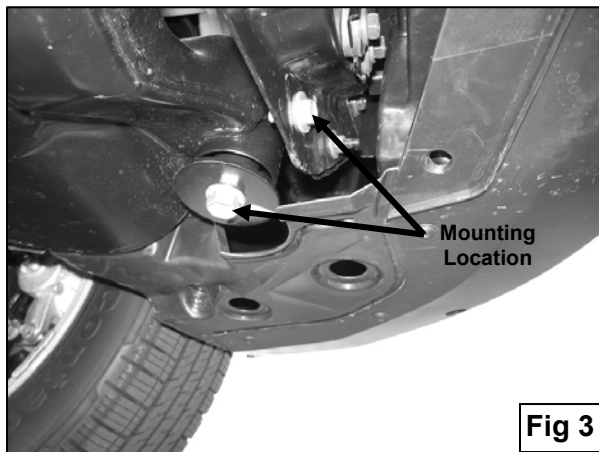
**To protect your investment**, wax this product after installing. Regular waxing is recommended to add a protective layer over the finish. Do not use any type of polish or wax that may contain abrasives that could damage the finish.

**For stainless steel:** Aluminum polish may be used to polish small scratches and scuffs on the finish. Mild soap may be used also to clean the Sidebar.

**For gloss black finishes:** Mild soap may be used to clean the product.



**Driver Side Frame Bracket Inner View**



**Driver Side Frame Bracket Outer View**

