

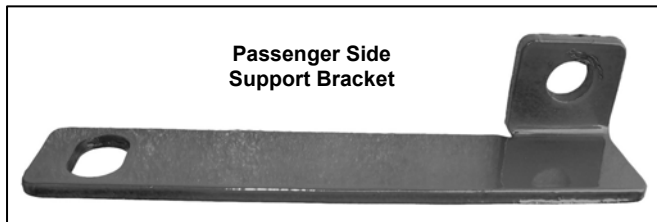
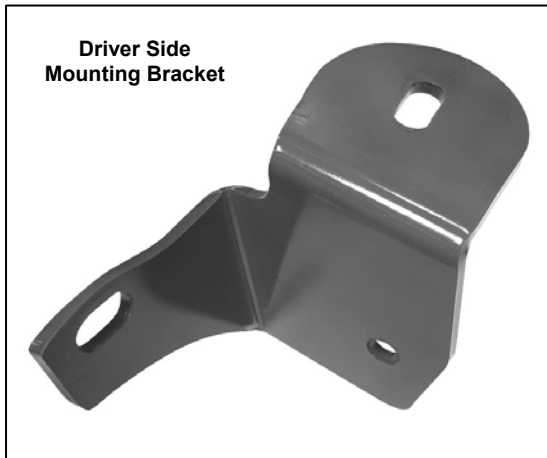


# INSTALLATION INSTRUCTIONS

**PART#:BB091009-SP\BB091009A-SP**  
**BULL BAR FOR 08 TOYOTA HIGHLANDER**

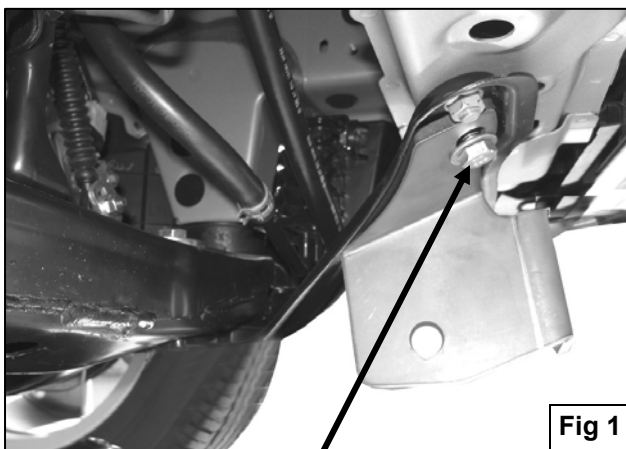
## PARTS LIST:

|   |                                  |   |  |
|---|----------------------------------|---|--|
| 1 | Bull Bar                         | 2 | 12mm Lock Washers                      |
| 1 | Driver/Left Mounting Bracket     | 2 | 12-1.75mm x 90mm Bolt Plate            |
| 1 | Passenger/Right Mounting Bracket | 4 | 12mm Nylock Nuts                       |
| 1 | Driver/Left Support Bracket      | 8 | 12mm ID x 29mm OD x 3mm Flat Washers   |
| 1 | Passenger/Right Support Bracket  | 2 | 10-1.25mm x 35mm Hex Head Bolts        |
| 2 | 12-1.75mm x 35mm Hex Head Bolts  | 2 | 10mm ID x 26mm OD x 3mm Flat Washers   |
| 2 | 12-1.75mm x 30mm Hex Head Bolts  | 2 | 12mm ID x 44mm OD x 3mm Fender Washers |

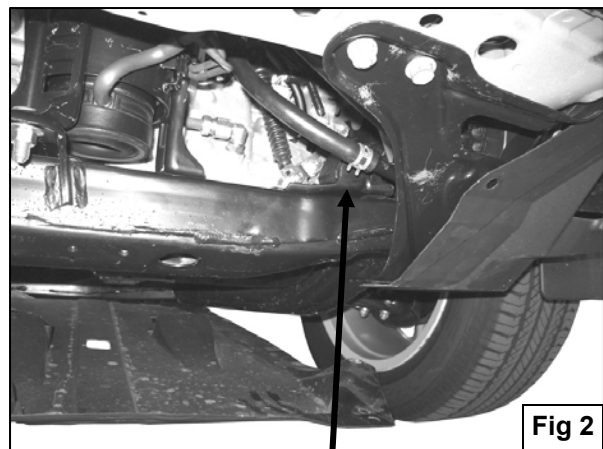


## PROCEDURE:

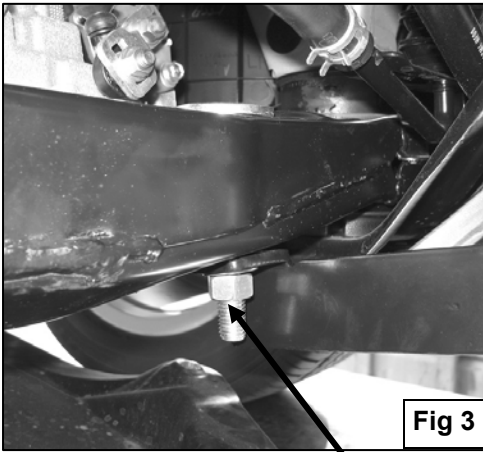
- 1. REMOVE CONTENTS FROM BOX. VERIFY ALL PARTS ARE PRESENT. READ INSTRUCTIONS CAREFULLY BEFORE STARTING INSTALLATION. CUTTING REQUIRED**
2. From underside of vehicle, remove the front plastic rocker guard. Place rocker guard on a clean working area.
3. On the driver side of the vehicle, locate the two factory bolts on the cross member brace towards the bumper and remove the one towards the outside of the vehicle. Position the driver side Mounting Bracket up to the cross member brace. Partially hang Mounting Bracket to previously removed factory bolt location using the included (1) 10-1.25mm x 35mm Hex Head Bolt and (1) 10mm Flat washer (**Figure 1**).
4. On the top of the driver side of the cross member bar there is a factory metal bracket obstructing the mounting hole location for the driver side Support Bracket. Use a 10mm socket to remove the two factory bolts holding the bracket to top of cross member (**Figure 2**).
5. Once you have removed the factory bracket, insert from the top of the cross member (1) 12mm x 90mm Bolt Plate. Re-install the factory metal bracket over Bolt Plate using the factory hardware. From the bottom of the cross member bar, place Support Bracket over previously inserted bolt and secure it using the included (1) 12mm Nylock Nut and (1) 12mm x 29mm x 3mm Flat Washer (**Figure 3**). Do not tighten at this time. Attach opposite side of Support Bracket to Mounting Bracket using the included (1) 12mm x 30mm Hex Head Bolt, (1) 12mm Nylock Nut, and (2) 12mm Flat Washers (**Figure 4**). Do not tighten at this time.
6. Repeat steps 3 – 6 for opposite side Support and Mounting Brackets.
7. Once you have partially mounted driver and passenger side Brackets. Position factory plastic rocker guard back to its mounting location and trace the outside on the Mounting Bracket. Use a sharp knife to cut out the marked location (**Figure 5**).
8. Place plastic rocker guard over already attached Brackets. Do not attach rocker guard fasteners at this time.
9. With help position Bull Bar onto Mounting Brackets. Attach Bull Bar to Mounting Brackets using the included (2) 12mm x 35mm Hex Head Bolts, (2) 12mm Lock Washers, and (2) 12mm Flat Washers (**Figure 6**).
10. Level and adjust Bull Bar; and then tighten all hardware at this time.
11. Re-attach rocker guard fasteners at this time.
12. Do periodic inspections to the installation to make sure that all hardware is secure and tight.



Replace outer factory bolt with  
10-1.25 x 35mm Hex Bolt  
10mm Flat Washer

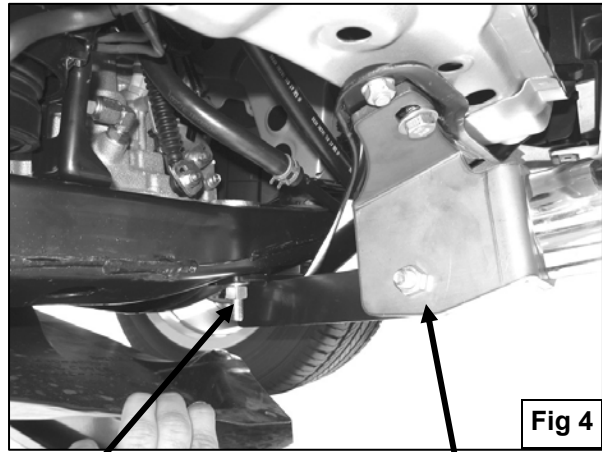


Temporarily remove  
this factory bracket



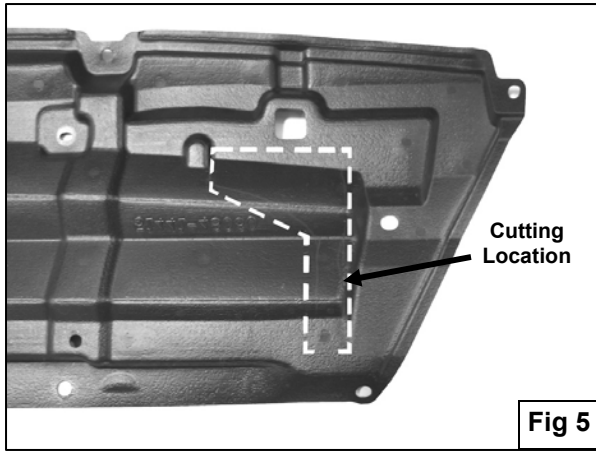
**Fig 3**

12mm x 90mm Hex Bolt  
 12mm Nylock Nut  
 12mm Fender Washer (top)  
 12mm Flat Washer (bottom)



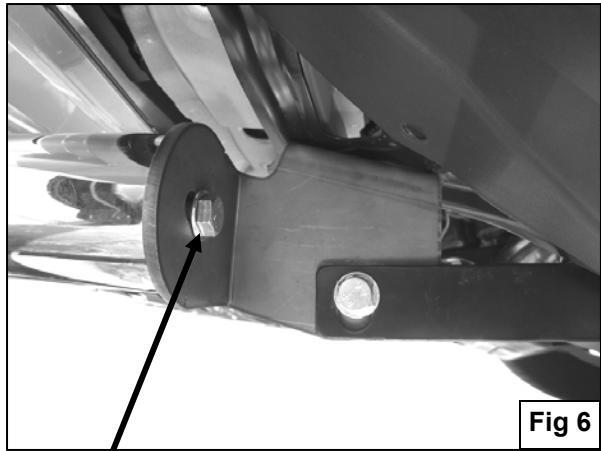
**Fig 4**

12mm x 30mm Hex Bolt  
 12mm Flat Washers  
 12mm Nylock Nut



Cutting Location

**Fig 5**



**Fig 6**

12mm x 35mm Hex Bolt  
 12mm Flat Washer  
 12mm Lock Washer



**Fig 7**