



INSTALLATION INSTRUCTIONS

**PART #:17A151000MSS/17A151000MA
MODULAR GRILL GUARD FOR HONDA PILOT 03-05**

QTY	DESCRIPTION
1	guard, center section
1	brush guard, left side
1	brush guard, right side
1	wire guard insert, left side
1	wire guard insert, right side
1	lower support bracket-left
1	lower support bracket-right
1	hardware kit

NOTE: Please read this information before assembling. Check components received with components listed above. **NO DRILLING REQUIRED.** Complete step by step instruction sheets will be found on the following pages.

- 1st. Stage, mounting of guard to vehicle.
- 2nd. stage, attaching brush guards to center section.
- 3rd . stage, attaching wire head light guards.

IMPORTANT: To obtain correct installation, we recommend you to follow these step by step instructions carefully.

Illustrations are for reference only, styles vary with application. Please review the instruction sheet before proceeding to assemble product.

Please take care when assembling and installing this product to protect the finish and your investment. To protect your investment, wax this product after installing. Regular waxing is recommended. Do not use any type of polish or wax that contains abrasive that could damage the finish.

INSTALLATION INSTRUCTIONS

1ST STAGE

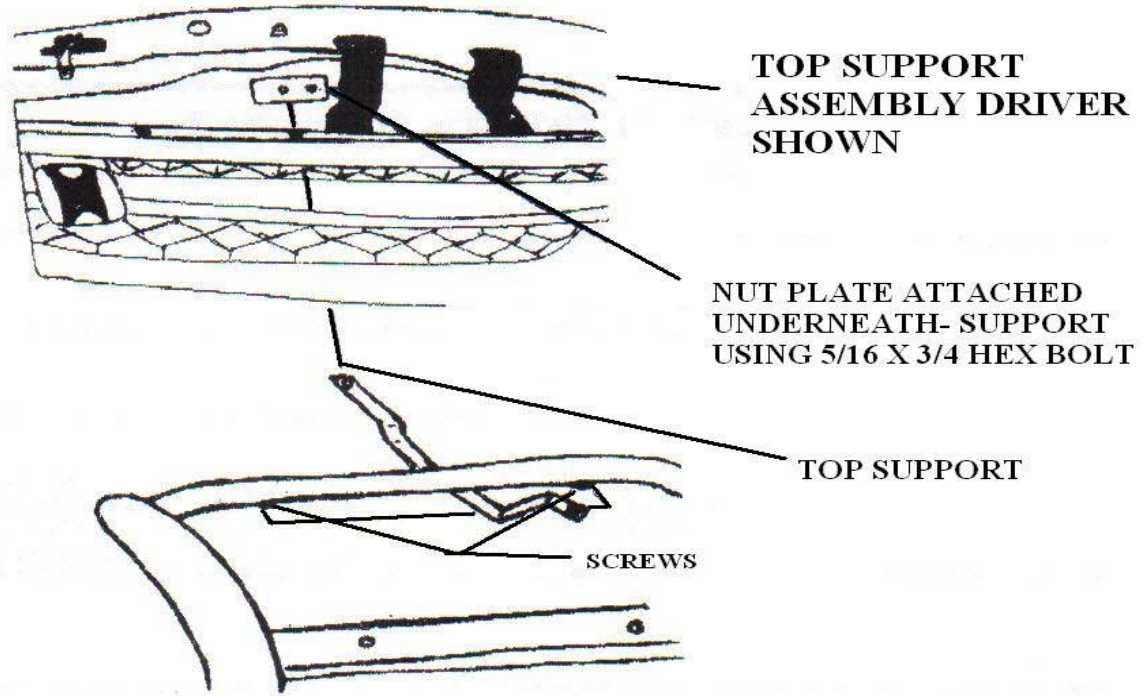
PARTS LIST

- | | |
|----------------------------|-------------------------|
| (1) FRONT BAR | (12) 7/16" FLAT WASHERS |
| (2) FRAME MOUNT BRACKETS | (6) 7/16" HEX LOCK NUTS |
| (2) TOP SUPPORT BRACKETS | (2) 1/4" x 3/4" SCREWS |
| (6) 7/16 x 1 1/4 HEX BOLTS | (4) 5/16 HEX BOLTS |
| (2) 5/16 NUT PLATES | (4) 5/16 WASHERS |

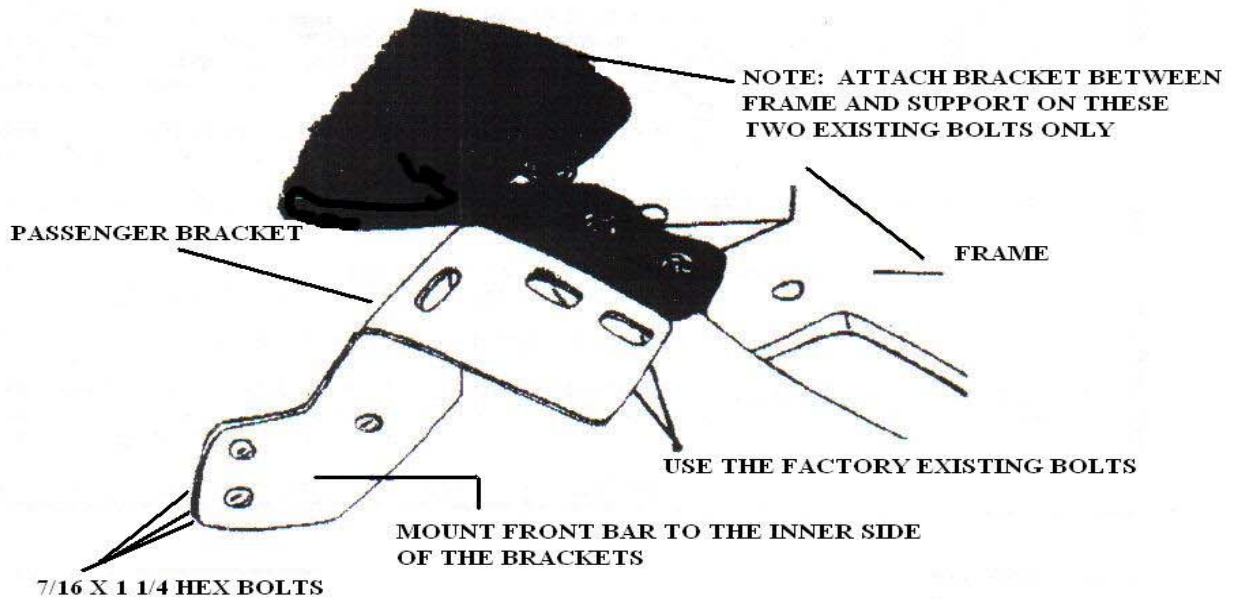
PROCEDURE

1. Remove the plastic rivets securing the plastic guard located underneath the vehicle in order to install the front bar.
2. Start with the passenger side assembly, position the passenger side bracket and align bracket with the three factory bolts on the frame. Fasten the frame brackets to the bottom of the frame as shown in the illustration using the factory existing bolts. Note: Attach bracket between frame and support on these two existing bolts only.
3. Open hood and remove the rivets securing the top plastic trim panel and remove the trim panel (temporarily) from the vehicle.
4. Attach top bracket support to the cross support existing hole using the 5/16 nut plate and 5/16 x 3/4 hex bolt and 5/16 washer as shown in illustration.
5. Using a utility knife, carefully cut slots on the plastic guard underneath the vehicle to fit around the frame brackets.
6. Re-attach the plastic guard
7. Attach front bar assembly to the lower brackets (inner edge) using the 7/16 x 1-1/4" hex bolts, 7/16 hex nuts, washers, and the top support bracket using the 1/4 x 3/4 screws, hex nuts, and washers.
8. Align front bar assembly with front of vehicle and secure all fasteners.

2003-05 HONDA PILOT



PASSENGER SIDE SHOWN



INSTALLATION INSTRUCTION

2nd STAGE

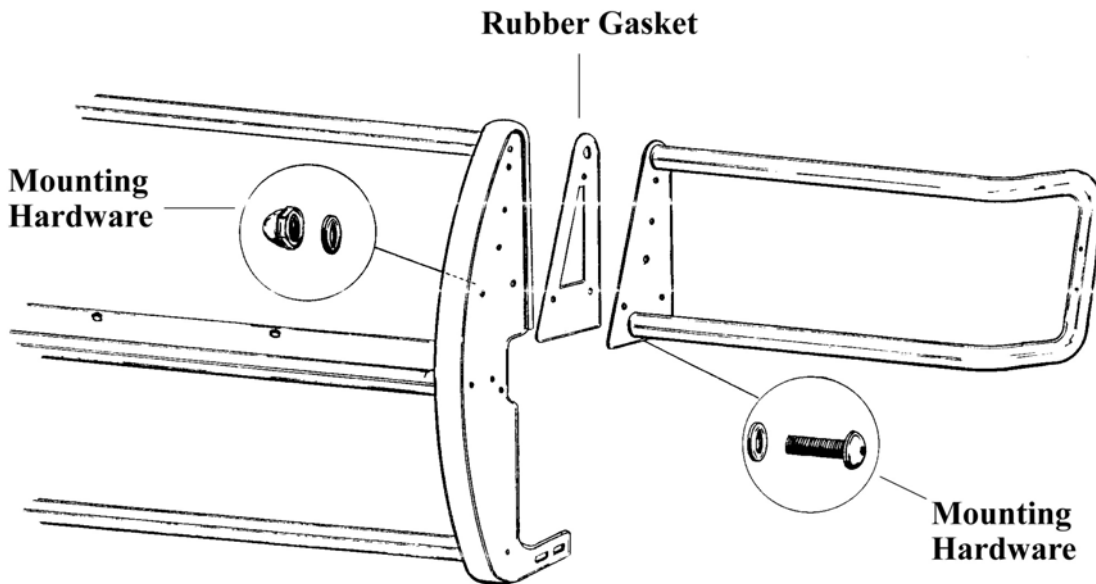
Step One: Locate hardware. Check contents with the hardware listed below.

QTY	DESCRIPTION
6	M8-1.25 x 20 button head bolts, stainless steel
6	M8-1.25 acorn nuts, stainless steel
12	M8 flat washers, stainless steel
2	rubber gaskets

Step Two: Securing brush guards to center section. Locate the following item's listed below.

QTY	DESCRIPTION
1	brush guard, left side
1	brush guard, right side

Assemble the brush guards to the center section of the guard as shown in illustration below. Use the hardware from step one to secure the parts together. Be sure to fully tighten all hardware at this time. Proceed ahead to stage four of the instruction sheet.



INSTALLATION INSTRUCTION

3rd STAGE

Step One: Locate hardware. Check contents with the hardware listed below.

QTY	DESCRIPTION
8	M6-1.00 x 25mm button head bolts, stainless steel
4	M6-1.00 acorn nuts, stainless steel
12	M6 flat washers, stainless steel
4	rubber gaskets

Step Two: Securing wire insert to brush guards. Locate the following item's listed below.

QTY	DESCRIPTION
2	wire guard insert, left & right side

Attach one rubber gasket to each end of the wire guard. Peel the paper backing off the rubber gasket. Place the gasket on the end of the bracket and press firmly till the gasket is secured in place.

Position the wire insert on the driver's side of the vehicle. Align the two holes in the bracket with the two holes in the brush guard as shown in illustration below. Using the hardware listed in step one, secure the wire insert to the brush guard. Be sure to fasten both ends before fully tightening hardware. Repeat this procedure on the opposite side of the vehicle. Be sure to use all hardware supplied and tighten all bolts.

