



INSTALLATION INSTRUCTIONS

PART#: 17A080200MSS\17A080200MA
JEEP GRAND CHEROKEE 05-09 Modular Grill Guard



PARTS LIST:

- 1 Set Grille Guard
- 1 Set Lower Support Brackets(left & right,when sitting in the car)
- 2 pc 7/16 Double Nut plate
- 1 Set Upper Support Brackets
- 10 pc 7/16 x 1-1/4 Hex Bolts
- 6 pc 7/16 Nylon Lock Nuts
- 16 pc 7/16 Flat Washers
- 2 pc 3/8 x1” Button Head Bolts
- 2 pc 3/8 Flat Washers
- 2 pc 3/8 Nylon Lock Nuts

INSTALLATION INSTRUCTION

1st STAGE

Step One: Locate the hardware and check the contents with the hardware list below.

Step Two: Insert Nut plates into frame as shown in Fig. 1 Attach bottom mounting bracket to nut plate using 7/16 hardware supplied as shown in fig. 1.

Step Three: Place grille guard between brackets and attach using supplied 7/16 hardware as shown in fig. 2 do not fully tighten at this time.

Step Four: Locate upper support brackets and place them through the grille shell as shown in Fig.3-4 Attach to vehicle as shown in fig 3 using factory bolt. Attach to grille guard as shown in fig 4. using 3/8 hardware supplied do not fully tighten at this time.

Step Five: Center and adjust grille guard to clear lights and body and tighten all hardware at this time.

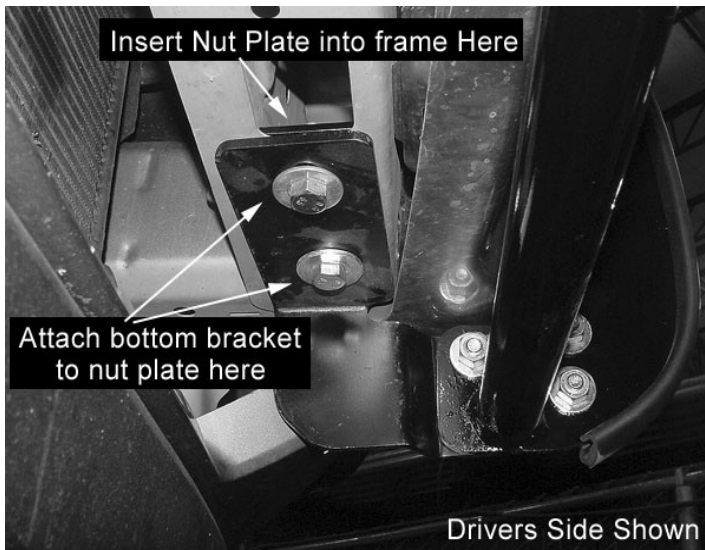


Fig #1



Fig #2

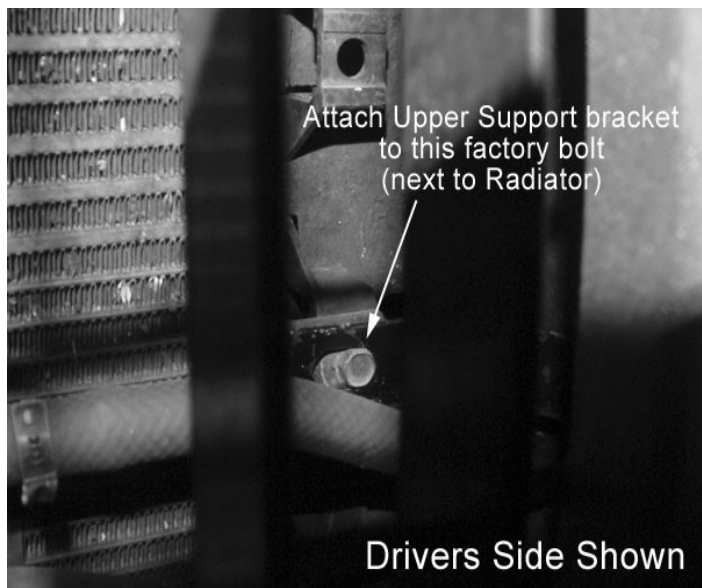
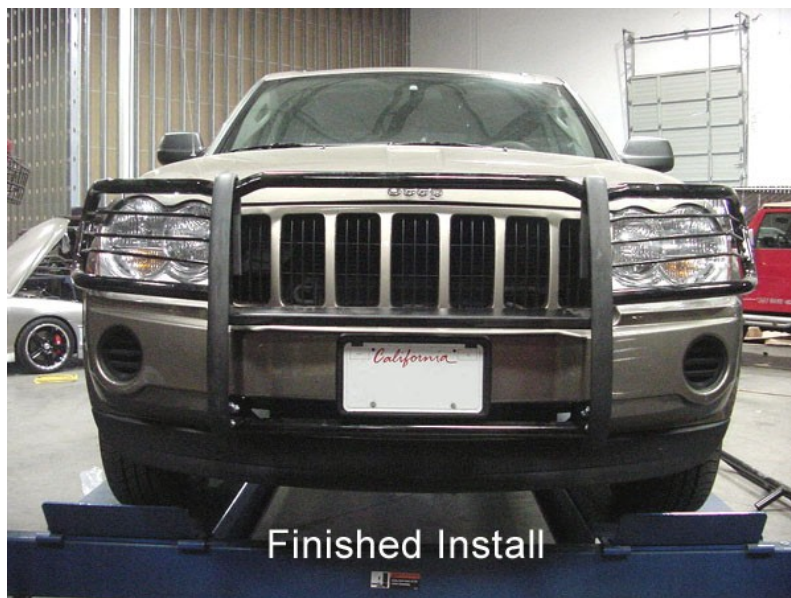


Fig #3



Fig #4



INSTALLATION INSTRUCTION

2nd STAGE

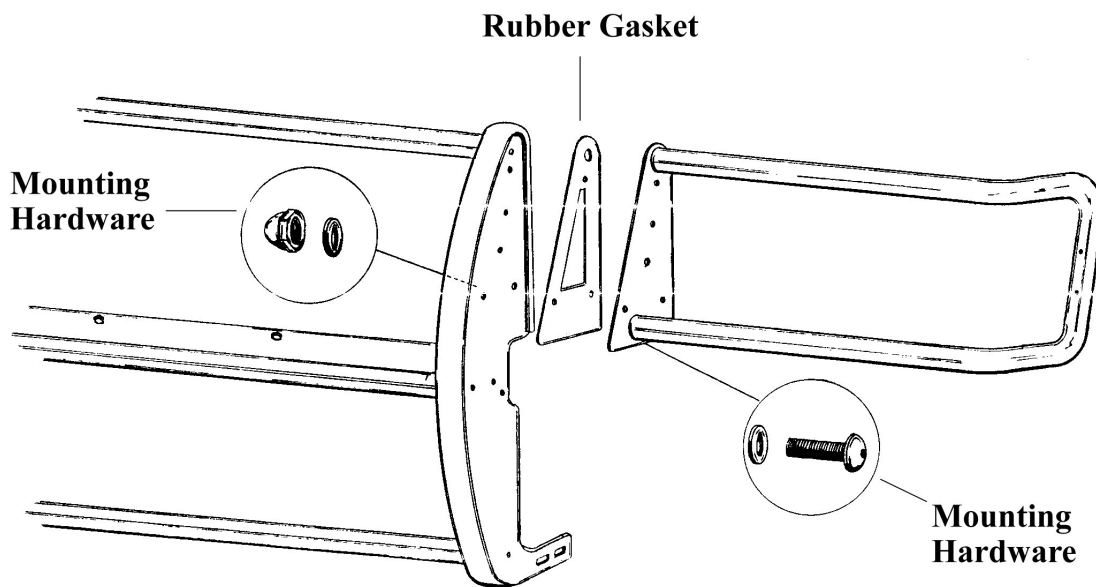
Step One: Locate hardware. Check contents with the hardware listed below.

QTY	DESCRIPTION
6	M8-1.25 x 20 button head bolts, stainless steel
6	M8-1.25 acorn nuts, stainless steel
12	M8 flat washers, stainless steel
2	rubber gaskets

Step Two: Securing brush guards to center section. Locate the following item's listed below.

QTY	DESCRIPTION
1	brush guard, left side
1	brush guard, right side

Assemble the brush guards to the center section of the guard as shown in illustration below. Use the hardware from step one to secure the parts together. Be sure to fully tighten all hardware at this time. Proceed ahead to stage four of the instruction sheet.



INSTALLATION INSTRUCTION

3rd STAGE

Step One: Locate hardware. Check contents with the hardware listed below.

QTY	DESCRIPTION
8	M6-1.00 x 25mm button head bolts, stainless steel
4	M6-1.00 acorn nuts, stainless steel
12	M6 flat washers, stainless steel
4	rubber gaskets

Step Two: Securing wire insert to brush guards. Locate the following item's listed below.

QTY	DESCRIPTION
2	wire guard insert, left & right side

Attach one rubber gasket to each end of the wire guard. Peel the paper backing off the rubber gasket. Place the gasket on the end of the bracket and press firmly till the gasket is secured in place.

Position the wire insert on the driver's side of the vehicle. Align the two holes in the bracket with the two holes in the brush guard as shown in illustration below. Using the hardware listed in step one, secure the wire insert to the brush guard. Be sure to fasten both ends before fully tightening hardware. Repeat this procedure on the opposite side of the vehicle. Be sure to use all hardware supplied and tighten all bolts.

