



INSTALLATION INSTRUCTIONS

PART#:17A010400MSS\17A010400MA
MODULAR GRILL GUARD FOR CADILLAC ESCALADE/YUKON/YUKON XL 07-09

QTY	DESCRIPTION
1	guard, center section
1	brush guard, left side
1	brush guard, right side
1	wire guard insert, left side
1	wire guard insert, right side
1	lower support bracket-left
1	lower support bracket-right
1	hardware kit

NOTE: Please read this information before assembling. Check components received with components listed above. **NO DRILLING REQUIRED.** Complete step by step instruction sheets will be found on the following pages.

- 1st. Stage, mounting of guard to vehicle.
- 2nd. stage, attaching brush guards to center section.
- 3rd. stage, attaching wire head light guards.

IMPORTANT: To obtain correct installation, we recommend you to follow these step by step instructions carefully.

Illustrations are for reference only, styles vary with application. Please review the instruction sheet before proceeding to assemble product.

Please take care when assembling and installing this product to protect the finish and your investment. To protect your investment, wax this product after installing. Regular waxing is recommended. Do not use any type of polish or wax that contains abrasive that could damage the finish.

INSTALLATION INSTRUCTIONS

1ST STAGE

HARDWARE KIT:

- (1) GRILL GUARD
- (2) TOP BRACKETS FOR 07 CADILLAC ESCALADE
- (2) TOP BRACKETS FOR 07 YUKON/YUKON XL
- (2) BOTTOM BRACKETS
- (2) BOTTOM END BRACKETS
- (10)M12 X 30mm HEX HEAD BOLTS
- (24)M12 FLAT WASHERS
- (14)M12 NYLOC HEX NUTS
- (2) M12 X 120mm HEX HEAD BOLTS
- (2) M6X 20 HEX HEAD BOLTS
- (2) M6 FLAT WASHER

PROCEDURE:

- 1- REMOVE CONTENTS FROM BOX AND CHECK FOR DAMAGE. VERIFY ALL PARTS ARE PRESENT. READ INSTRUCTIONS CAREFULLY.
- 2- REMOVE (2) PLASTIC RETAINER TOWHOOK COVERS LOCATED AT LOWER END OF FRONT BUMPER (PASSENGER SIDE SHOWN) SEE FIG#1
- 3- INSTALL (1) BOTTOM BRACKET (1) BOTTOM END BRACKET USING (2) M12 X 30mm HEX HEAD BOLTS (2) M12 NYLOC HEX NUT (4) M12 FLAT WASHERS. THEN INSTALL (1) M12 X 120mm HEX HEAD BOLT (1) M12 NYLOC NUT (2) M12 FLAT WASHERS, ADJUST BOTTOM BRACKET DOWN THEN TIGHTEN. (DRIVER SIDE SHOWN) SEE FIG.# 2
NOTE: FOR EXISTING TOWHOOKS. REMOVE (2) M12 X 30mm HEX HEAD BOLTS (2) M12 NYLOC HEX HEAD NUTS (4) M12 FLAT WASHERS FROM HARDWARE KIT AND USE EXISTING TOWHOOKS AND HARD WARE FOR BOTTOM AND BOTTOM END BRACKET INTALLATION.
- 4- REPEAT PROCEDURE #3 ON OPPOSITE SIDE.
- 5- INSTALL GRILL GUARD ON TO DRIVER AND PASSENGER BOTTOM BRACKET ASSEMBLIES USING (6) M12 X 30 HEX HEAD BOLTS (6) M12 NYLOC NUTS (12) M12 FLAT WASHERS LEAVE LOOSE, SEE FIG. #2 (DRIVER SIDE SHOWN).
- 6- OPEN HOOD FOR ACCESS, REMOVE (2) EXISTING BOLTS LOCATED INSIDE OF GRILL MOUNT AND SET ASIDE (DRIVER SIDE SHOWN) SEE FIG #3. INSTALL DRIVER/PASSENGER TOP BRACKET USING EXISTING BOLTS. THEN BOLT TOP BRACKETS (DRIVER/PASSENGER) ON TO GRILL GUARD USING (2) M6 X 20mm HEX HEAD BOLTS LEAVE LOOSE. SEE FIG # 3.



7- LEVEL AND ADJUST GRILL GUARD AS DESIRED AND TIGHTEN.



PLASTIC RETAINER
TOWHOOK COVER

FIG# 1

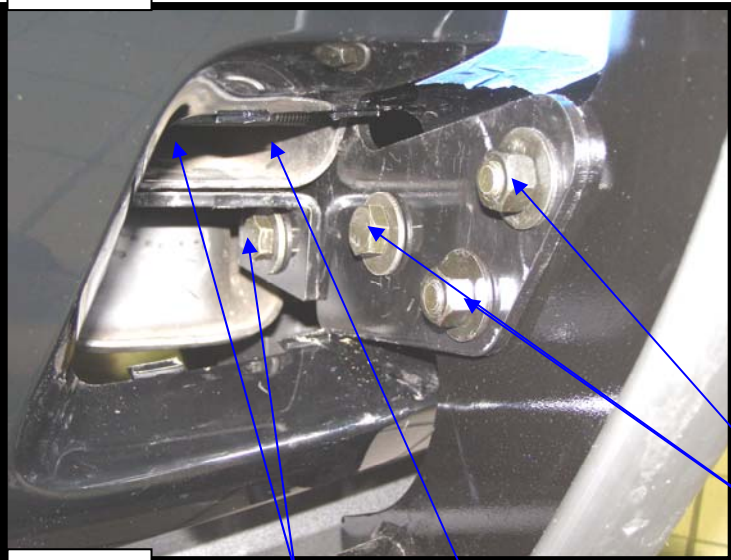
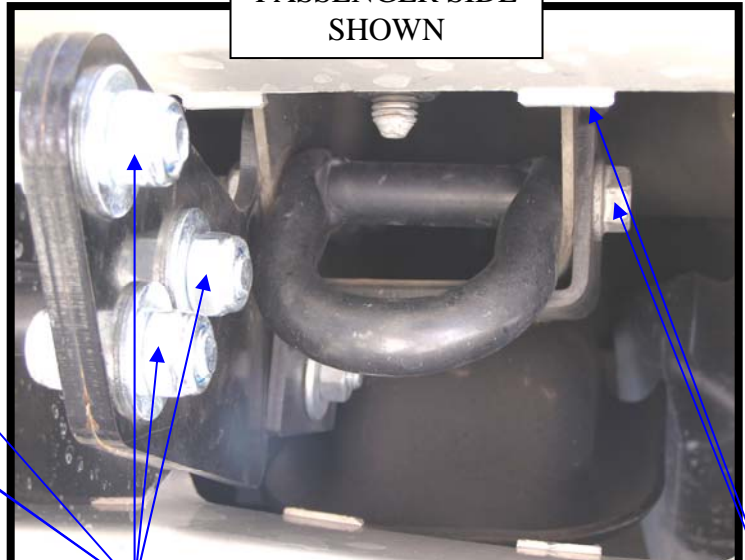


FIG #2

M12 X 30 mm
HARDWARE

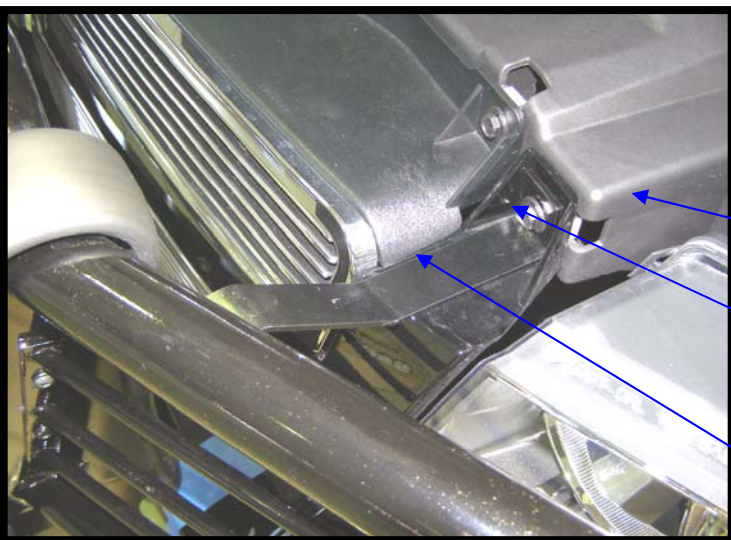
M12 X 120mm
HARDWARE



PASSENGER SIDE
SHOWN

M12 X 30mm HARDWARE

EXISTING BOLTS



GRILL MOUNT

EXISTING BOLT

TOP BRACKET

FIG #3

INSTALLATION INSTRUCTION

2nd STAGE

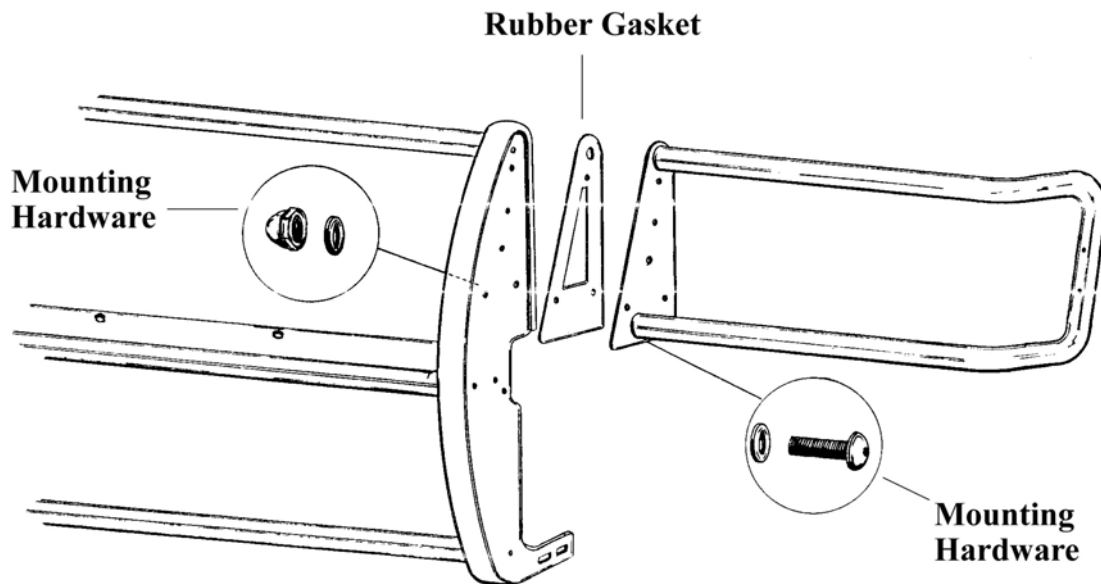
Step One: Locate hardware. Check contents with the hardware listed below.

QTY	DESCRIPTION
6	M8-1.25 x 20 button head bolts, stainless steel
6	M8-1.25 acorn nuts, stainless steel
12	M8 flat washers, stainless steel
2	rubber gaskets

Step Two: Securing brush guards to center section. Locate the following item's listed below.

QTY	DESCRIPTION
1	brush guard, left side
1	brush guard, right side

Assemble the brush guards to the center section of the guard as shown in illustration below. Use the hardware from step one to secure the parts together. Be sure to fully tighten all hardware at this time. Proceed ahead to stage four of the instruction sheet.



INSTALLATION INSTRUCTION

3rd STAGE

Step One: Locate hardware. Check contents with the hardware listed below.

QTY	DESCRIPTION
8	M6-1.00 x 25mm button head bolts, stainless steel
4	M6-1.00 acorn nuts, stainless steel
12	M6 flat washers, stainless steel
4	rubber gaskets

Step Two: Securing wire insert to brush guards. Locate the following item's listed below.

QTY	DESCRIPTION
2	wire guard insert, left & right side

Attach one rubber gasket to each end of the wire guard. Peel the paper backing off the rubber gasket. Place the gasket on the end of the bracket and press firmly till the gasket is secured in place.

Position the wire insert on the driver's side of the vehicle. Align the two holes in the bracket with the two holes in the brush guard as shown in illustration below. Using the hardware listed in step one, secure the wire insert to the brush guard. Be sure to fasten both ends before fully tightening hardware. Repeat this procedure on the opposite side of the vehicle. Be sure to use all hardware supplied and tighten all bolts.

