



Contents:

- **Certificate** (removable) **for:**
 - AUDI S4 (8E/ 8H) -**
 - AUDI RS4 (QB6) -**
- **mounting instruction**
- **english enclosure**



**Before installation please observe
the following points:**

- Read all information in this manual carefully.
- All suspension components are fitted and removed acc. to the manufacturer's specifications for fitting and removing, if not otherwise required in these instructions.
- Check that your vehicle type is listed in the certificate as being released for this kit.
- Check the product for all components before starting installation!
- Check that dimensions and fastening points are comparable between the original and Bilstein shock absorbers.
- Remove the negative battery pole.
- Directional references (left, right, front, rear) are always with reference to the driving direction.
- The test vehicles are left- hand drive cars.

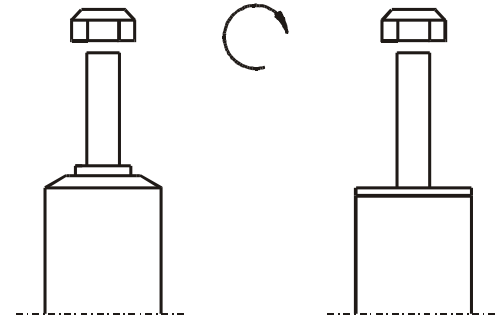
**After installation, please observe
the following points:**

- Set the vehicle height by adjusting spring plates and lock nuts on the new dampers. Only use the supplied spanner wrenches.
- All rubber- mounted strut/ damper attachments must not be fully tightened until AFTER the suspension system is loaded (wheels on the ground). Other mounting fasteners (for example brackets) must be securely tight-tened BEFORE load is placed on the suspension system.
- Because the vehicle has been lowered, freedom of movement for all wheel-/ tire- combinations must be checked.
- Connect the negative battery pole.
- After installing the suspension system, caster and camber must be checked and adjusted according to manufacturer's specifications.
- Check and reset load- dependent brake compensator and ABS system according to manufacturer's specifications.
- Check and adjust headlight aim.

All diagrams are generalized
and not to scale!
Brackets, etc. specific to
strut are not shown!

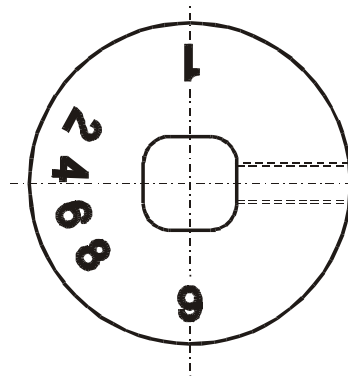
list of torques

	M8	M 10	M 12	M 14	M 16	Thread
	13	25	45	72	110	Torque Nm
	10	19	34	54	83	Torque ft lb



Do not use an impact tool to loosen or tighten fasteners due to possible damage to the product.
Self- locking nuts must only be used once!

instruction for force adjustment



position **9** = **comfort** (clockwise direction)
 position **1** = **sport** (counter- clockwise direction)

During the adjustment you will hear a positive „click“ at each position of the adjustment.



Removal

Place vehicle on a chassis hoist, lift it and remove wheels. Remove socket plug for ABS-sensor. Vehicles equipped with xenon headlight the sensor for the headlamp levelling controller must removed bevor.

The lower control arm must be supported by suitable means!

Remove bottom mount.

Remove top fitting of wishbone support at front axle.

Remove top fixing nut from support bearing.
Do not remove center nut at this time!

Remove complete strut and clamp it in an appropriate strut vise.

Using a suitable spring compressor, compress suspension spring until tension on support bearing is released.

Release center nut and remove original mounting parts and coil spring.

**NOTE for AUDI RS 4 Quattro:
The active anti rollbar system (DRC) must be immobilized professional by experts.**

Installing

Assemble BILSTEIN and/ or original mounting parts, as well as the new BILSTEIN spring on the BILSTEIN strut in reverse sequence of removal. Original rubber spring pad must removed! Original washer must reused!

IMPORTANT! Spring plates must not be adjusted outside the ranges specified below!

The correct mounting position of the suspension springs can be determined by the printing on the springs; install them with the print upright.

Do not reuse original- bumper, since BILSTEIN- strut has built in bump stop.

Fit assembled BILSTEIN strut to the vehicle in reverse sequence to removal.

The adjustment range of the spring plates is only approved within the range of the values given in Point I. Adjustment must be carried out so that the body is level when the vehicle is empty apart from the driver. The lowest approved adjustment and the permissible adjustment range are to be entered, stating the fixed axle reference points. (Example, see below).

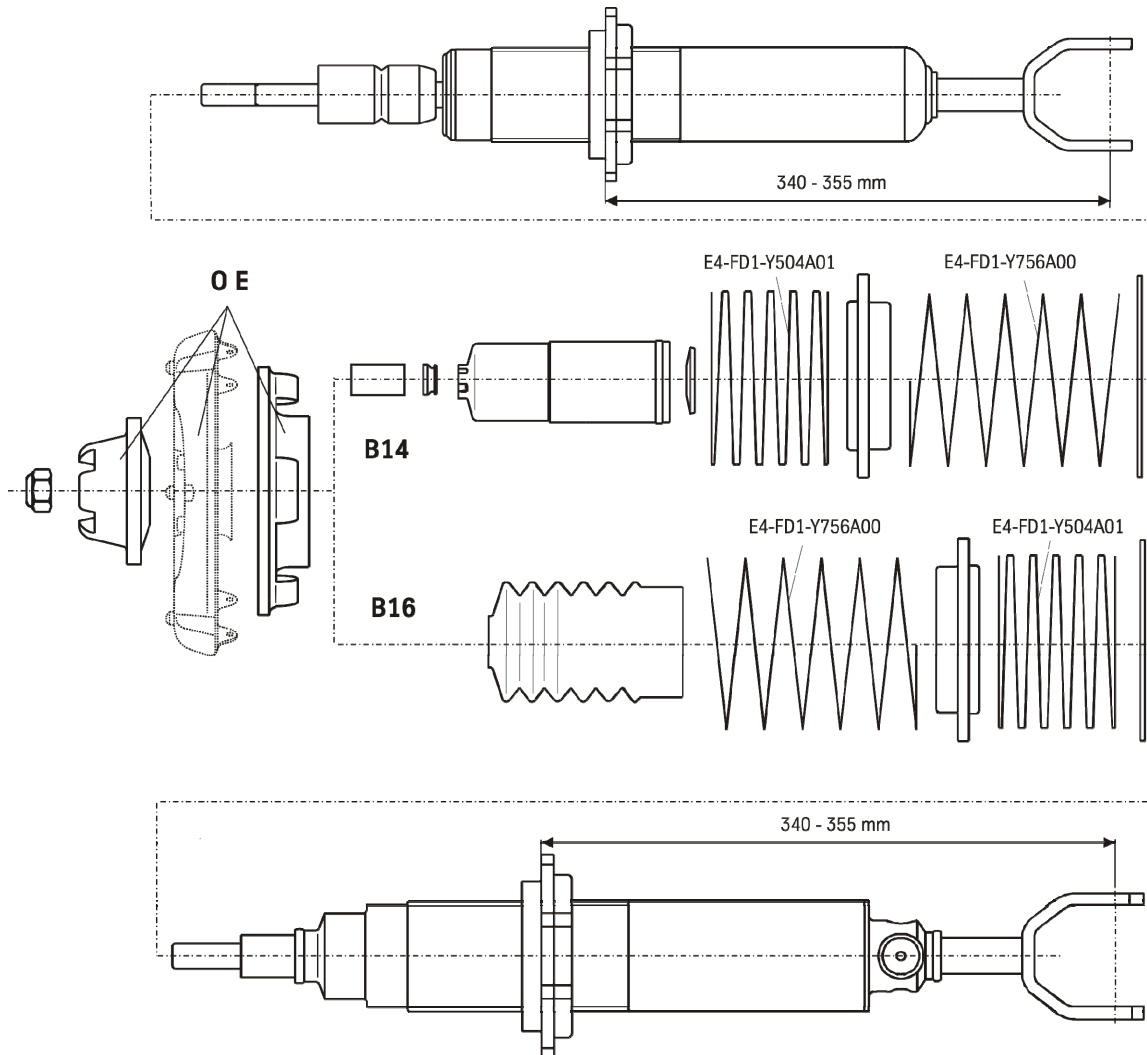
Manufacturer	AUDI	
ABE-/ EG- BE- No.	e1*98/14*0151*.., e1*2001/116*0151*..	e1*98/14*0177*.., e1*2001/116*0177*..
type designation	8E	8H
model	AUDI S4 Sedan and Station Wagon	AUDI S4 Cabriolet

I.

FRONT	maximum permissible axle load 1250 kg (2750 lb)	
spring part number	main spring E4-FD1-Y756A00	helper spring E4-FD1-Y504A01
shock absorber part number	VM3-A596 with damping force adjustment	BE5-B945 without damping force adjustment
permissible adjustment range	340 – 355 mm* = 15 mm range	
* measurement:	top edge of spring seat down to the center of bottom mounting screw	

REAR	maximum permissible axle load 1170 kg (2574 lb)	
spring part number	main spring E4-FD1-Y756A00	
shock absorber part number	BM5-A597 with damping force adjustment	BE5-6931 without damping force adjustment
permissible adjustment range	15 - 45 mm* = 30 mm range	
* measurement:	top edge of spring seat down to original spring seat inside wishbone	

- There are no technical objections against the use of all O.E. wheel/tyre combinations.
- Because of the increased bump travel on axle 1 all special wheel/tyre combinations which have already been entered (approved) must be re-examined with regard to freedom of motion. Critical areas are f.e. area of inner and outer tyre flank above centre of wheel. In so far as these wheel-/ tyre combinations are not listed below, the examination must be carried out by an officially recognised expert or test engineer at a TÜV/TÜH test facility. The vehicle registration document in accordance with §21 German Road Traffic Licensing Code - StVZO must be presented. Any certificates already obtained with regard to special wheel/tyre combinations are invalid if they do not contain a reference to the suspension system described in this document.
- The ground clearance in unladen state is reduced by the installation of special springs. It is the approximately equivalent of that of a partially laden series vehicle. When the vehicle is loaded to the admissible axle loads the ground clearance does not change as compared to the series vehicle. If spoilers, rear aprons and special exhaust systems are mounted, however, the reduced angle of slope must be noted (travelling on ramps etc.).
- The specified minimum height of the coupling ball above the road surface with the permissible total weight of the vehicle (acc. DIN 74058) is 350 mm.



mounting instuction for rear axle

Removal

Place vehicle on a chassis hoist, lift it and remove wheels.

The lower control arm must be supported by suitable means!

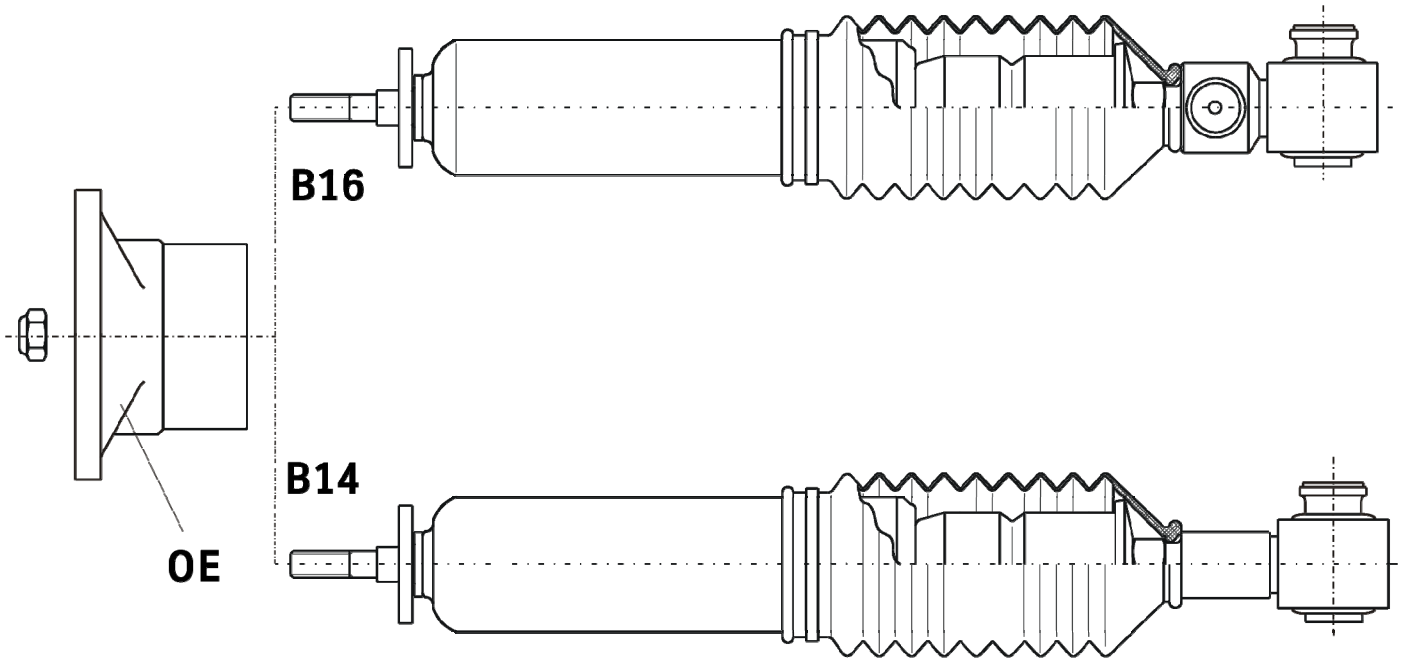
Remove top and bottom fixing mount.

Remove shock absorber and original mounting parts.

Installing

Assemble BILSTEIN and/ or original mounting parts on BILSTEIN shock absorber in reverse sequence of removal.

Fit BILSTEIN shock absorber to the vehicle in reverse sequence of removal.



mounting instuction for rear axle height adjustment

