

E4-WM5-Y379A00

MOUNTING INSTRUCTION



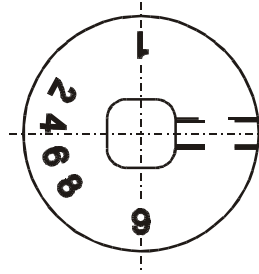
Before installation please observe the following points:

- Read all information in this manual carefully.
All suspension components are fitted and removed acc. to the manufacturer's specifications for fitting and removing, if not otherwise required in these instructions.
- Check that your vehicle type is listed in the certificate as being released for this kit.
- Check the product for all components before starting installation!
- Check that dimensions and fastening points are comparable between the original and Bilstein shock absorbers.
- Directional references (left, right, front, rear) are always with reference to the driving direction.
- The test vehicles are left- hand drive cars.

After installation please observe the following points:

- Set the vehicle height by adjusting spring plates and lock nuts on the new dampers. Only use the supplied spanner wrenches.
- After installing the suspension system, caster and camber must be checked and adjusted according to manufacturer's specifications.
Check and reset load- dependent brake compensator and ABS system according to manufacturer's specifications.
Check and adjust headlight aim.
- Because the vehicle has been lowered, freedom of movement for all wheel-/ tire- combinations must be checked.
- All rubber- mounted strut/ damper attachments must not be fully tightened until AFTER the suspension system is loaded (wheels on the ground). Other mounting fasteners (for example brackets) must be securely tightened BEFORE load is placed on the suspension system.

All diagrams are generalized and not to scale!
Brackets, etc. specific to strut are not shown!



position **9** = **comfort** (clockwise direction)
position **1** = **sport** (counter- clockwise direction)

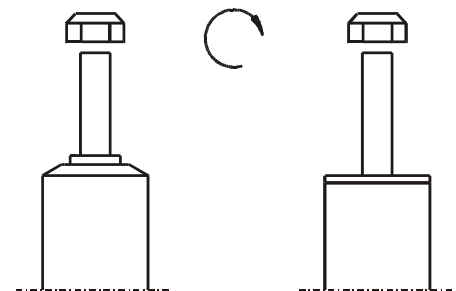
During the adjustment you will hear a positive „click“ at each position of the adjustment.

Instruction for the front axle

The adjusting element of the front struts is located at the bottom edge of the strut, covered by a blue plastic cap (**K**). That cap must be removed before adjusting. After the adjustment the cap must be replaced again.

- list of torques

	M8	M 10	M 12	M 14	M 16	Thread
	13	25	45	72	110	Torque Nm
	10	19	34	54	83	Torque ft lb



**Do not use an impact tool to loosen or tighten fasteners due to possible damage to the product.
Self- locking nuts must only be used once!**



mounting instruction for front and rear axle

Removal

Place vehicle on a wheel-free car hoist, lift it and remove wheels.



The lower control arm must be supported by suitable means!

Remove bottom mount.

Remove top fixing nuts from support bearing.
Do not remove centre nut at this time!

Remove complete strut and clamp it in an appropriate strut vice.

Using a suitable spring compressor, compress suspension spring until tension on support bearing is free to move.

Release centre nut and remove original mounting parts and coil spring. Please refer to diagram to identify which parts will be replaced with BILSTEIN- supplied components.

Original plastic pad at rear axle must be replaced by Bilstein plastic pad.

Installing

Assemble BILSTEIN and/ or original mounting parts, as well as the new BILSTEIN spring on the BILSTEIN strut in reverse order as removal.



IMPORTANT! Spring plates must not be adjusted outside the ranges specified below!

The correct mounting position of the suspension springs can be determined by the printing on the springs; install them with the print upright.

Fit assembled BILSTEIN strut to the vehicle in reverse order as removal.

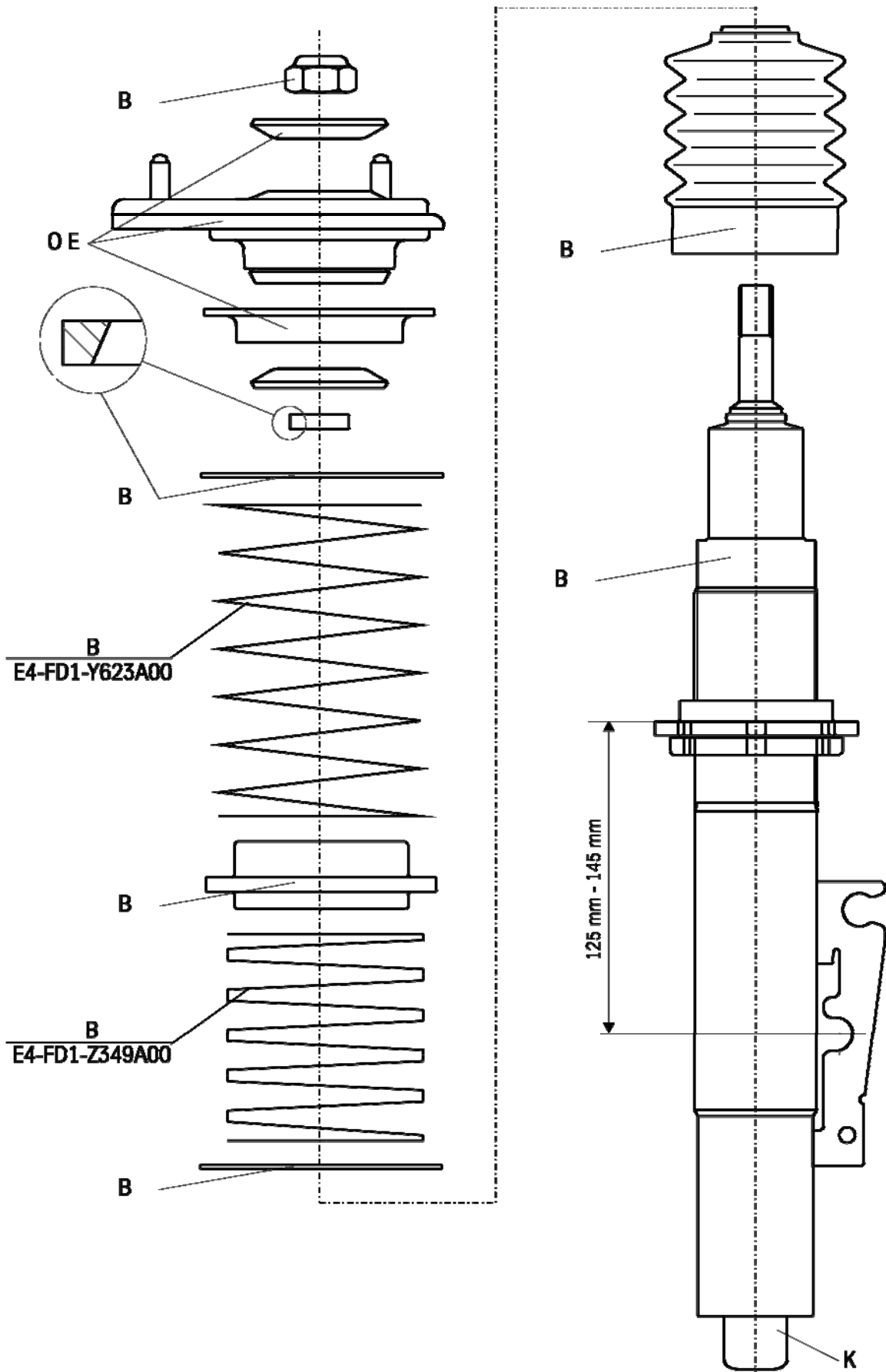
E4-WM5-Y379A00 MOUNTING INSTRUCTION



front axle

OE = Original Anbauteile

B = BILSTEIN Lieferumfang



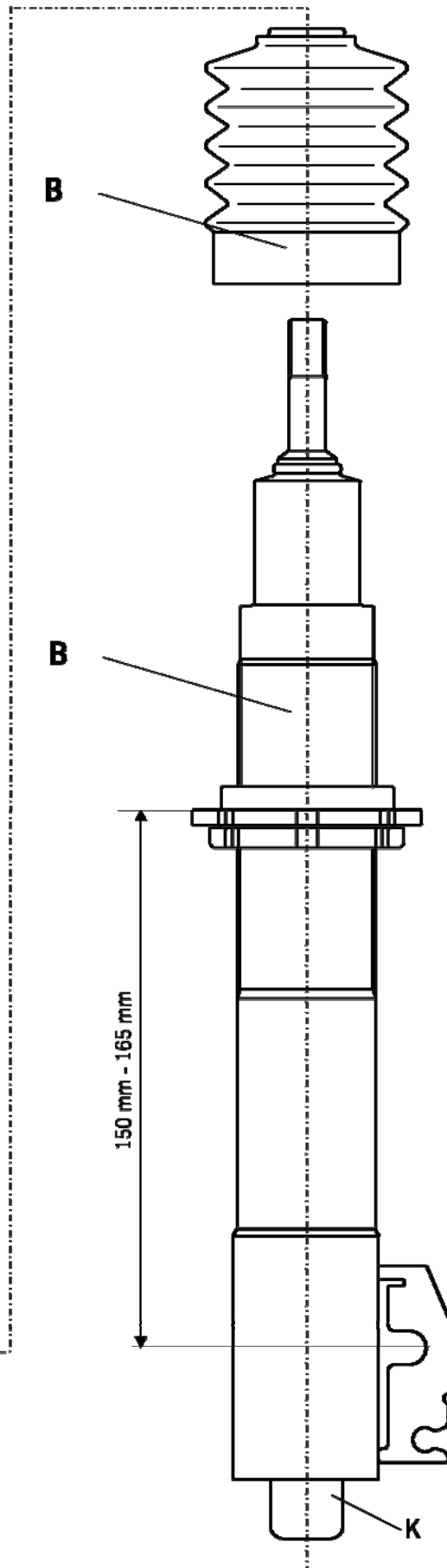
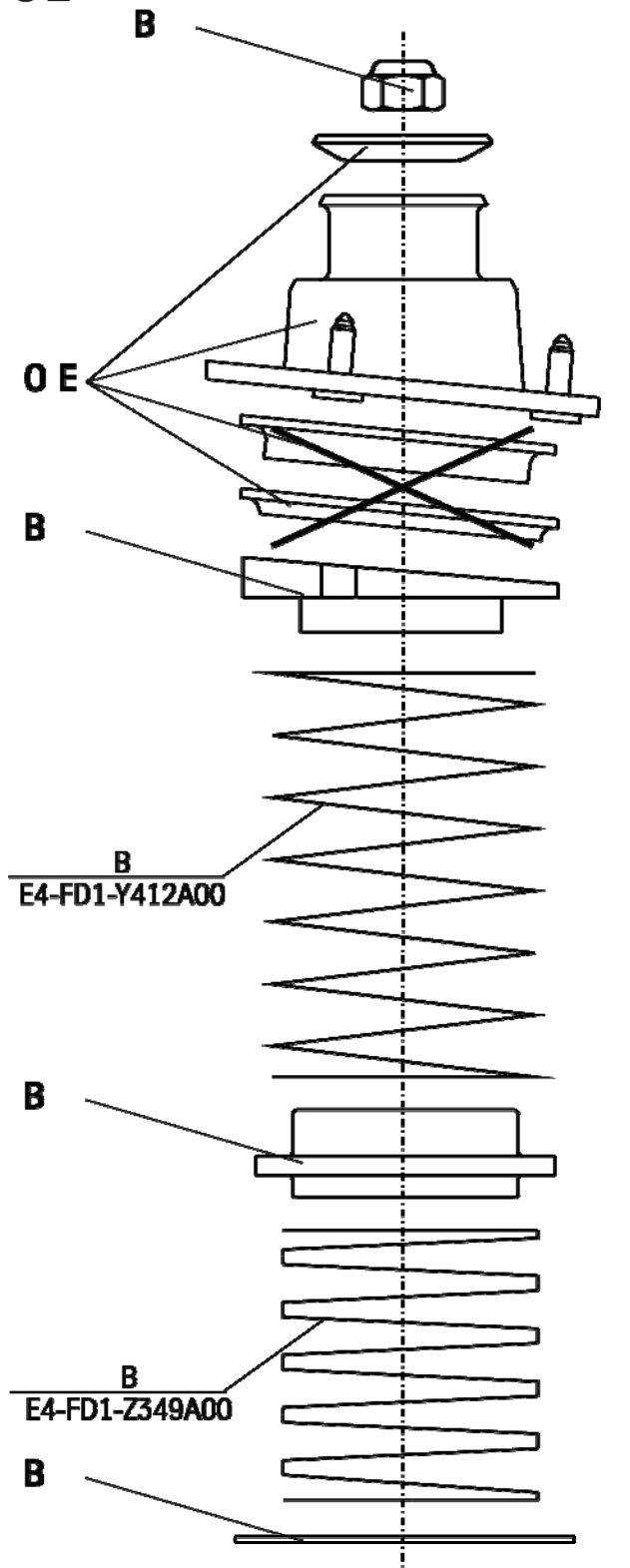
E4-WM5-Y379A00 MOUNTING INSTRUCTION



rear axle

OE = Original Anbauteile

B = BILSTEIN Lieferumfang



E4-WM5-Y379A00

MOUNTING INSTRUCTION



english enclosure

The adjustment range of the spring plates is only approved within the range of the values given in Point I. Adjustment must be carried out so that the body is level when the vehicle is empty apart from the driver. The lowest approved adjustment and the permissible adjustment range are to be entered, stating the fixed axle reference points (Example, see below).

Manufacturer	PORSCHE	
ABE-/ EG- BE- No.	e13*98/14*0020*..	
type designation	986	
model	Boxster	

1.

FRONT	according to permissible axle load and adjusting dimensions	
spring part number	main spring E4-FD1-Y623A00	helperspring E4-FD1-Z349A00
shock absorber part number	VM3-H607 with damping force adjustment	
permissible adjustment range	maximum permissible axle load 775 kg (1705 lb) 125 – 145 mm* = 20 mm range	
* measurement:	top edge of spring seat down to the center of top mounting screw	

REAR	according to permissible axle load and adjusting dimensions	
spring part number	main spring E4-FD1-Y412A00	helperspring E4-FD1- Z349A00
shock absorber part number	VM3-H608 with damping force adjustment	
permissible adjustment range	maximum permissible axle load 940 kg (2068 lb) 150 - 165 mm* = 15 mm range	
* measurement:	top edge of spring seat down to centre of strut mounting screw	

- There are no technical objections against the use of all O.E. wheel/ tyre combinations.
- There is also no technical reason to object to the use of special wheel/tyre combinations, provided the following conditions are met:
 - If the series bump travel limitation has to be modified as a result of conditions laid down in these test reports (e.g. change of O.E. bump stops or installation of additional bump travel limiters), the characteristic line of the axle suspension has to be verified and assessed new.
- The ground clearance in unloaded state is reduced by the installation of special springs. It is the approximate equivalent of that of a partially laden stock vehicle. When the vehicle is loaded to the permissible axle loads the ground clearance does not change as compared to the stock vehicle. If spoilers, rear aprons and special exhaust systems are mounted, however, the reduced angle of slope must be noted (travelling on ramps etc).