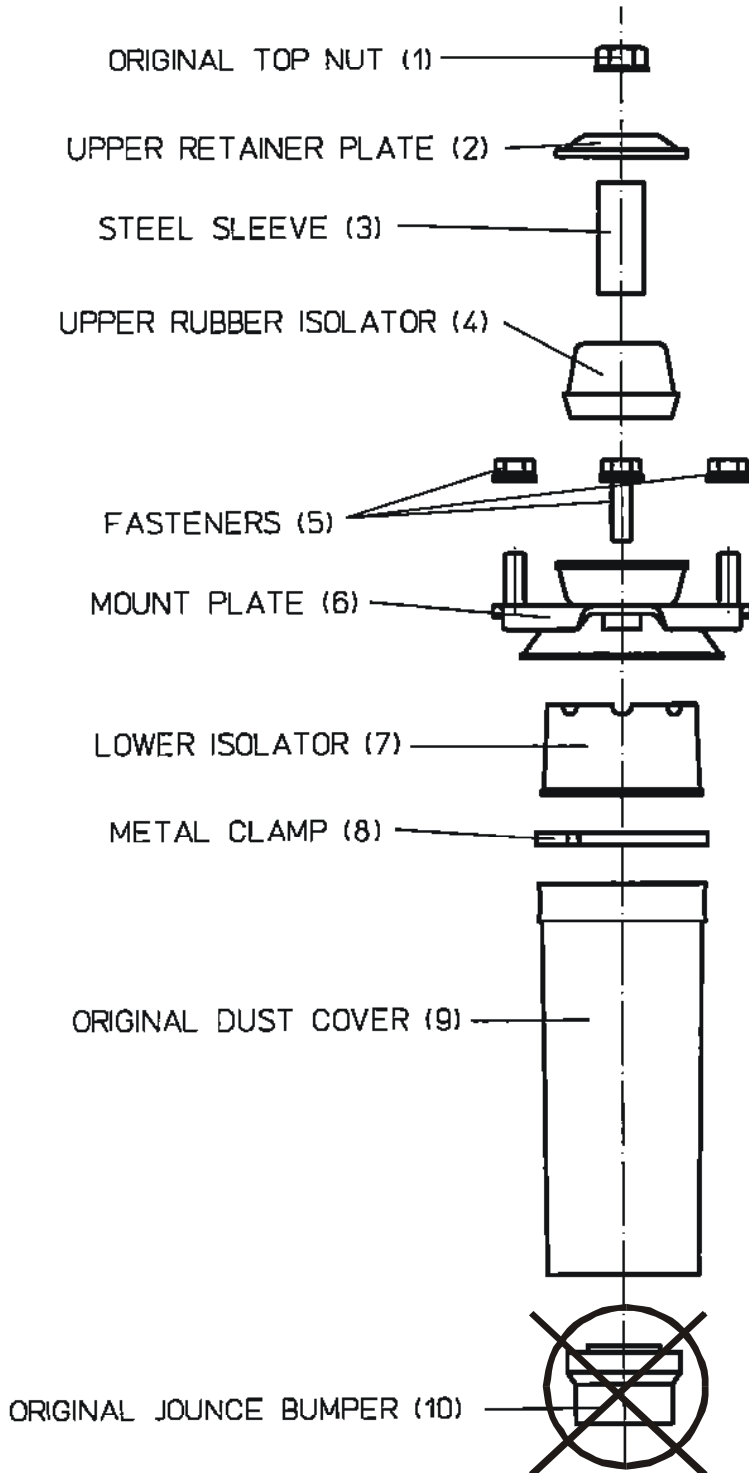


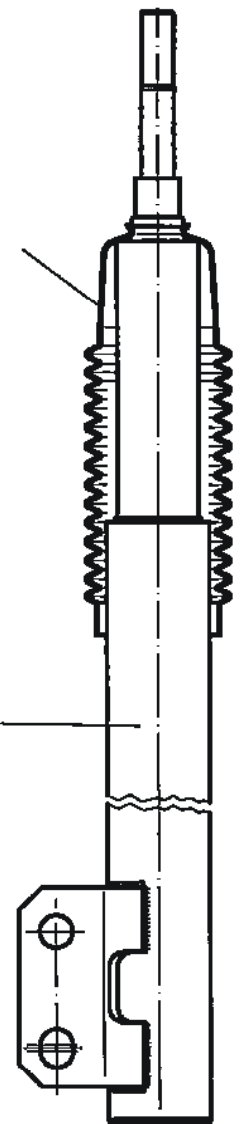
E4-WM5-Y267A00 MOUNTING INSTRUCTION



BILSTEIN TOP NUT (11)

BILSTEIN DUST COVER (12)

BILSTEIN STRUT



E4-WM5-Y267A00

MOUNTING INSTRUCTION



FORD Mustang front strut V36-4138 Installation instructions

1. Remove OE strut from vehicle, referring to manufacturer's Service Manual.
2. Discard original jounce bumper (10) located on OE strut piston rod or inside OE dust cover (9). The Bilstein strut has a built-in jounce bumper.
3. Decide whether to re-use OE dust cover, or Bilstein replacement dust cover (12). (The Bilstein strut is designed to function properly with either dust cover.)
 - If Bilstein dust cover (12) will be used, remove the metal clamp (8) from the top of the OE dust cover (9), and pull the dust cover downwards off of the lower isolator (7). Discard the clamp and dust cover.
 - If original dust cover will be used, pull the Bilstein dust cover (12) upwards off the Bilstein strut, and discard.
4. Assemble the upper mounting parts to the Bilstein strut as follows:
 - Lower isolator (7) (with OE dust cover, if re-used).
 - Mount plate (6)
 - Upper rubber isolator (4)
 - Steel sleeve (3)
 - Upper retainer plate (2)
 - Bilstein top nut (11); tighten to 75 – 110 Nm (55 – 80 lb/ft) (discard original top nut (1))
5. Mount Bilstein strut into vehicle, referring to instructions in vehicle manufacturer's Service Manual.
6. Set front wheel alignment to OE specifications