

# E4-WM5-Y217A00

## MOUNTING INSTRUCTION



### **Before installation please observe the following points:**

- Read all information in this manual carefully. All [suspension components](#) are fitted and removed acc. to the manufacturer's specifications for fitting and removing, if not otherwise required in these instructions.
- Check the product for all components before starting installation!
- Check that dimensions and fastening points are comparable between the original and Bilstein shock absorbers.
- Remove the negative battery pole.
- Directional references (left, right, front, rear) are always with reference to the driving direction.
- The tested vehicles are left- hand drive vehicles.

### **After installation please observe the following points:**

- After installing the suspension system, caster and camber must be checked and adjusted according to manufacturer's specifications.
- Check and reset load- dependent brake compensator and ABS system according to manufacturer's specifications.
- Check and adjust headlight aim.
- Because the vehicle has been lowered, freedom of movement for all wheel-/ tire- combinations must be checked.
- All rubber- mounted strut/ damper attachments must not be fully tightened until AFTER the suspension system is loaded (wheels on the ground). Other mounting fasteners (for example brackets) must be securely tightened BEFORE load is placed on the suspension system.
- Connect the negative battery pole.

All diagrams are generalized  
and not to scale!  
Brackets, etc. specific to  
strut are not shown!

# E4-WM5-Y217A00 MOUNTING INSTRUCTION



## STANDARD SHOCK-ABSORBER

( SA\*, AA\*, SS\*, SX\*, SG\* )

1. BILSTEIN shock absorber with original spring
2. BILSTEIN shock absorber with BILSTEIN spring
3. Original shock absorber with BILSTEIN spring

### Remove

Place vehicle on a wheel-free car hoist,  
lift it and remove wheels.



***The lower control arm must be  
supported by suitable means!***

Remove bottom mount.

Remove top fixing mount.

Remove shock absorber from vehicle.

Remove original mounting parts.

### Installation

Assemble BILSTEIN and/ or original  
mounting parts on BILSTEIN shock  
absorber in reverse order as removal.

Fit assembled shock absorber to the vehicle  
in reverse order as removal. For to guarantee  
correct fitting of mounting parts, it is necessary to  
compare the Type- No, printed on damper- label  
with the charts on the following pages.

All self- locking nuts must be replaced.  
Tightening torques see list below.

# E4-WM5-Y217A00 – MOUNTING INSTRUCTION



## SPRING CARRIED SHOCK ABSORBER

( FSA\*, FAA\*, FSS\*, FSX\*, FSG\* )

1. BILSTEIN shock absorber with original spring
2. BILSTEIN shock absorber with BILSTEIN spring
3. Original shock absorber with BILSTEIN spring

### Remove

Place vehicle on a wheel-free car hoist,  
lift it and remove wheels.



***The lower control arm must be supported by suitable means!***

Remove bottom mount.

Remove top fixing nuts from support bearing.  
**Do not remove centre nut at this time!**

Remove complete shock absorber and  
clamp it in an appropriate strut vice.

Compress suspension spring until ten-  
sion on support bearing is free to move.

Release centre nut and remove original  
mounting parts and coil spring. Please check,  
which original mounting parts will be renewed  
with mounting parts supplied by BILSTEIN.

### Installation

Assemble BILSTEIN and/ or original mounting  
parts, as well as the new BILSTEIN spring on the  
shock absorber in reverse order as removal.



***Before releasing the spring, care is to be taken to ensure that the ends of the spring rest in the cut outs of the top and bottom spring plates.***

The correct mounting position of the  
suspension springs can be determined  
by the printing on the springs; install  
them with the print upright.

Fit assembled shock absorber to the vehicle in  
reverse order as removal. For to guarantee  
correct fitting of mounting parts, it is necessary  
to compare the Type- No, printed on damper-  
label with the charts on the following pages.

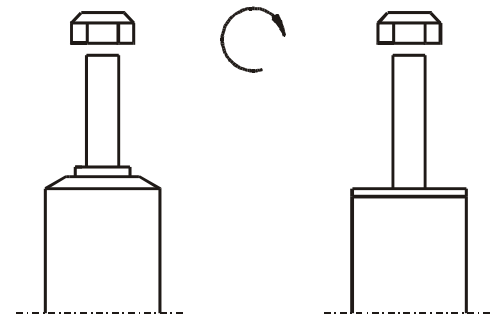
All self- locking nuts must be replaced.

# E4-WM5-Y217A00 - MOUNTING INSTRUCTION



## list of torques

Thread	M 8	M 10	M 12	M 14	M 16
Torque Nm	13	25	45	72	110
Torque ft lb	10	19	34	54	83



**Do not use an impact tool to loosen or tighten fasteners due to possible damage to the product. Self- locking nuts must only be used once!**

All rubber- mounted strut/ damper attachments must not be fully tightened until AFTER the suspension system is loaded (wheels on the ground). Other mounting fasteners (for example brackets) must be securely tightened BEFORE load is placed on the suspension system.

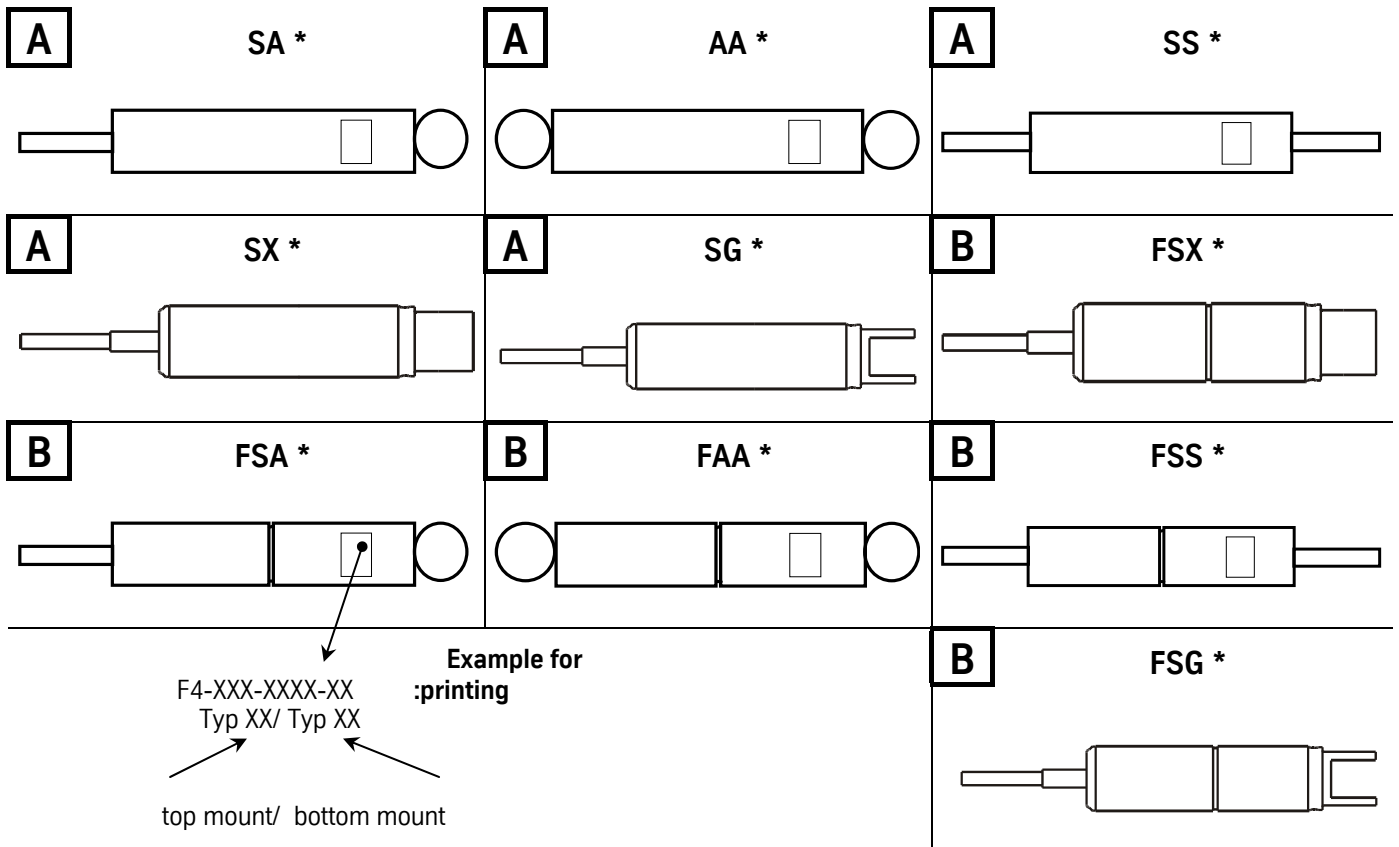
# E4-WM5-Y217A00 – MOUNTING INSTRUCTION



ALL DRAWINGS ARE GENERALIZED!  
BRACKETS, ETC. SPECIFIC TO  
STRUT ARE NOT SHOWN!

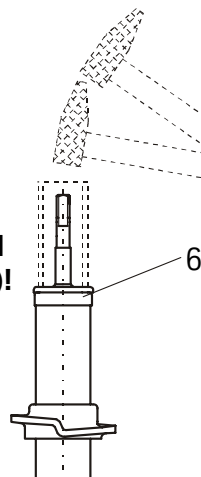
## TYPES OF SHOCK ABSORBER

\* siehe Typenliste S. 1/ see application guide side 1



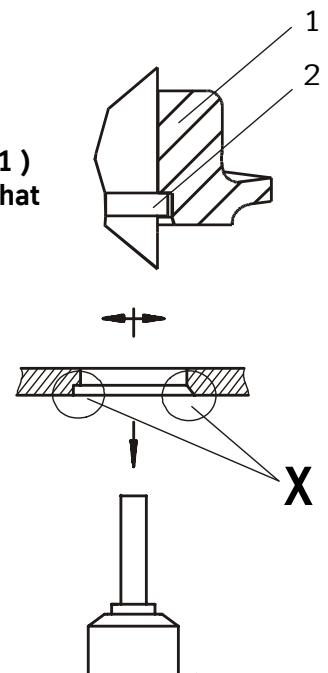
If no dust cover is delivered by BILSTEIN,  
original dust cover must be reused  
or replaced.

Do not damage the piston rod  
when knocking a top cap ( 6 )!



When fitting the spring plate ( 1 )  
care must be taken to ensure that  
the circlip ring ( 2 ) is seated  
correctly!

X = Fitting of plates with  
chamfer (if exist)



# E4-WM5-Y217A00 – MOUNTING INSTRUCTION



<p><b>Typ1</b></p> <p><b>OE</b></p> <p>Original Anbauteile - Original Equipment Original mounting parts</p>	<p><b>Typ2</b></p>	<p><b>Typ3</b></p>	<p><b>Typ4</b></p>	<p><b>Typ5</b></p>
<p><b>Typ6</b></p>	<p><b>Typ7</b></p>	<p><b>Typ8</b></p>	<p><b>Typ9</b></p>	<p><b>Typ10</b></p>
<p><b>Typ11</b></p>	<p><b>Typ12</b></p>	<p><b>Typ13</b></p>	<p><b>Typ14</b></p>	<p><b>Typ15</b></p>
<p><b>Typ16</b></p>	<p><b>Typ17</b></p>	<p><b>Typ18</b></p>	<p><b>Typ19</b></p>	<p><b>Typ20</b></p>
<p><b>Typ21</b></p>	<p><b>Typ23</b></p>	<p><b>Typ24</b></p>	<p><b>Typ25</b></p>	
<p><b>Typ22</b></p>				

# E4-WM5-Y217A00 – MOUNTING INSTRUCTION



<p><b>Typ26</b></p>	<p><b>Typ27</b></p>	<p><b>Typ28</b></p>	<p><b>Typ29</b></p>	<p><b>Typ30</b></p>
<p><b>Typ31</b></p>	<p><b>Typ32</b></p>	<p><b>Typ33</b></p>	<p><b>Typ34</b></p> <p>Slotted nut torque to min. 48 Nm (35 lb/ft) and insert cotter pin</p> <p>Damper body      Vehicle</p>	
<p><b>Typ36</b></p>	<p><b>Typ37</b></p>	<p><b>Typ38</b></p>	<p><b>Typ39</b></p>	<p><b>Typ40</b></p>
<p><b>Typ41</b></p>	<p><b>Typ42</b></p>	<p><b>Typ43</b></p>	<p><b>Typ44</b></p> <p><b>DC "G"-Typ</b></p>	