

E4-WM5-Y151A00

MOUNTING INSTRUCTION



Before installation please observe the following points:

- Read all information in this manual carefully.
All suspension components are fitted and removed acc. to the manufacturer's specifications for fitting and removing, if not otherwise required in these instructions.
- Check the product for all components before starting installation!
- Check that dimensions and fastening points are comparable between the original and Bilstein shock absorbers.
- Directional references (left, right, front, rear) are always with reference to the driving direction.
Remove the negative battery pole.
- The test vehicles are left- hand drive cars.

After installation please observe the following points:

- After installing the suspension system, caster and camber must be checked and adjusted according to manufacturer's specifications.
Check and reset load- dependent brake compensator and ABS system according to manufacturer's specifications.
Check and adjust headlight aim.
- Connect the negative battery pole.
- Because the vehicle has been lowered, freedom of movement for all wheel-/ tire- combinations must be checked.
- All rubber- mounted strut/ damper attachments must not be fully tightened until AFTER the suspension system is loaded (wheels on the ground). Other mounting fasteners (for example brackets) must be securely tight-ened BEFORE load is placed on the suspension system.

E4-WM5-Y151A00 MOUNTING INSTRUCTION



1. BILSTEIN shock absorber with original spring
2. BILSTEIN shock absorber with BILSTEIN spring
3. Original shock absorber with BILSTEIN spring

Remove

Place vehicle on a chassis hoist,
lift it and remove wheel



The lower control arm must be supported by suitable means!

Remove bottom mount.

Remove top fixing nuts from support bearing.

Do not remove center nut at this time!

Remove complete shock absorber and
clamp it in an appropriate strut vise.

Compress suspension spring until tension on support bearing is released.

Release center nut and remove original mounting parts. Please refer to diagram to identify which parts will be replaced with BILSTEIN- supplied components.

Install

Assemble BILSTEIN and/ or original mounting parts on BILSTEIN shock absorber in reverse sequence of removal.



Before releasing the spring, care is to be taken to ensure that the ends of the spring rest in the cutouts of the top and bottom springpads.

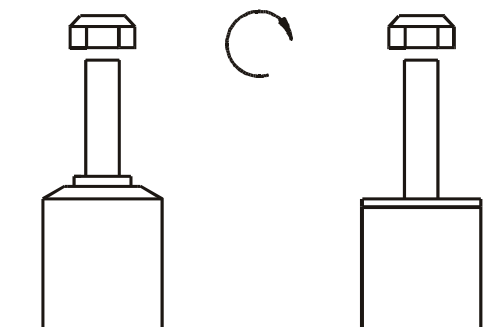
Fit assembled shock absorber to the vehicle in reverse sequence of removal.

E4-WM5-Y151A00 MOUNTING INSTRUCTION



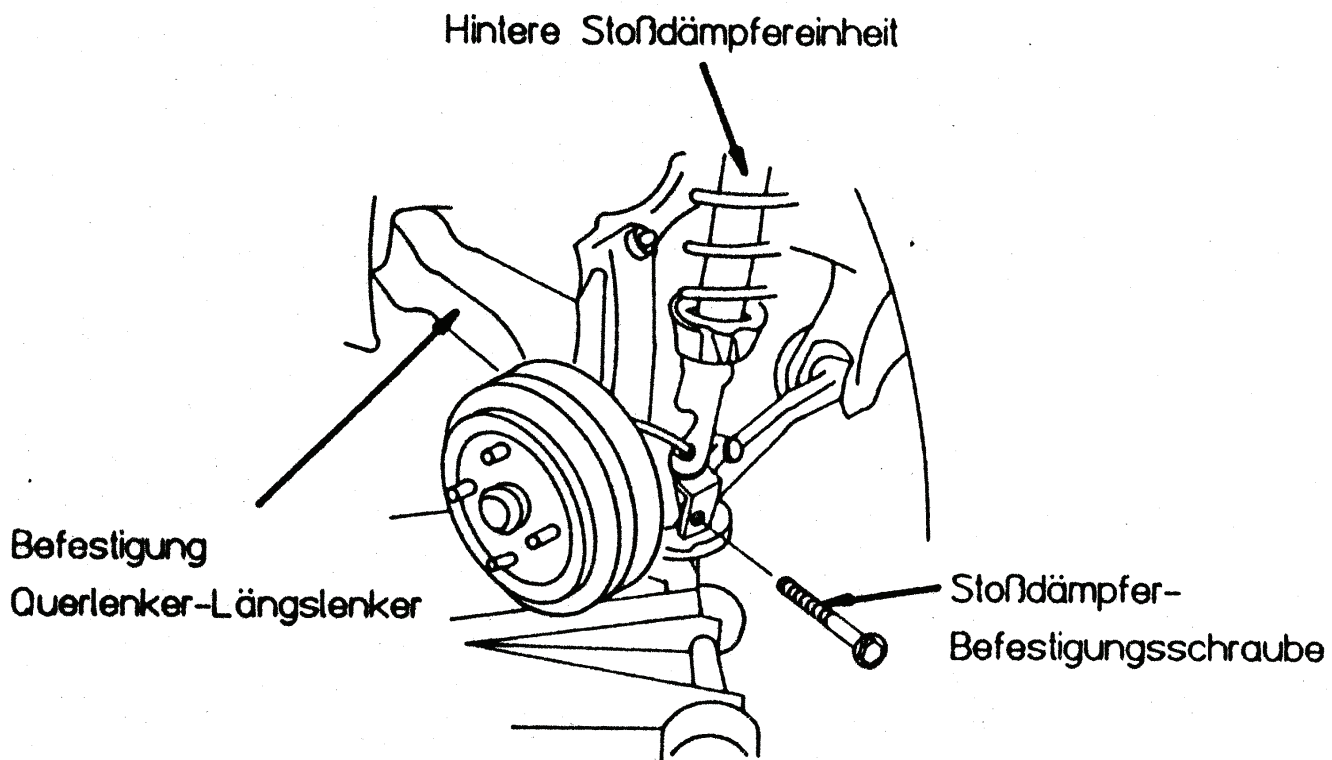
- list of torques

	M8	M 10	M 12	M 14	M 16	Thread
	13	25	45	72	110	Torque Nm
	10	19	34	54	83	Torque ft lb

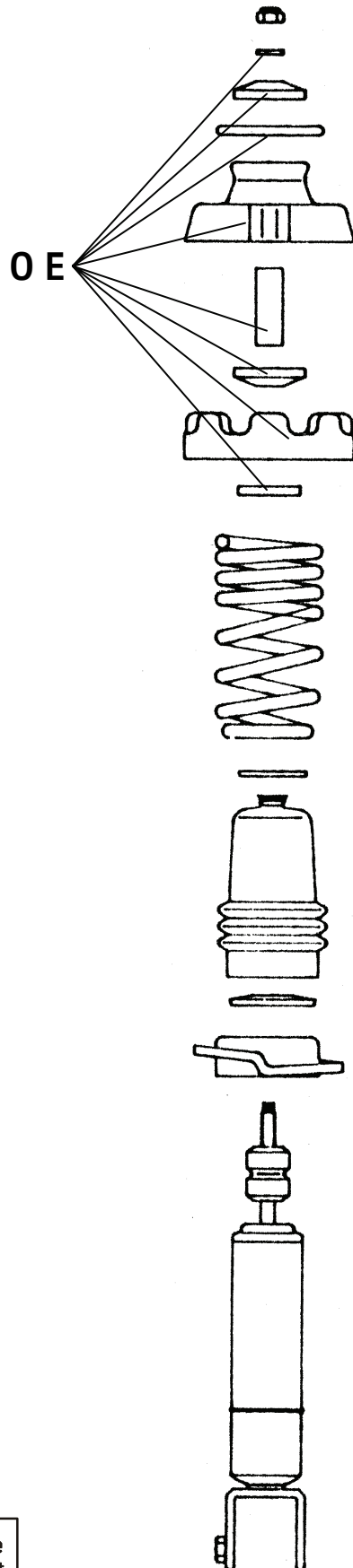


Do not use an impact tool to loosen or tighten fasteners due to possible damage to the product. Self- locking nuts must only be used once!

All diagrams are generalized and not to scale!
Brackets, etc. specific to strut are not shown!



E4-WM5-Y151A00 MOUNTING INSTRUCTION



OE = Original Anbauteile
Original Equipment