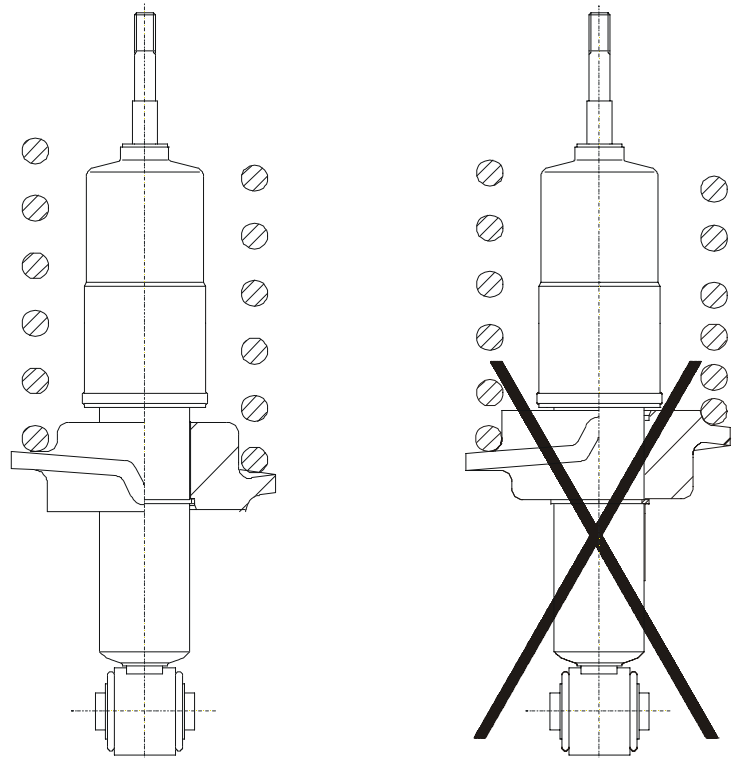
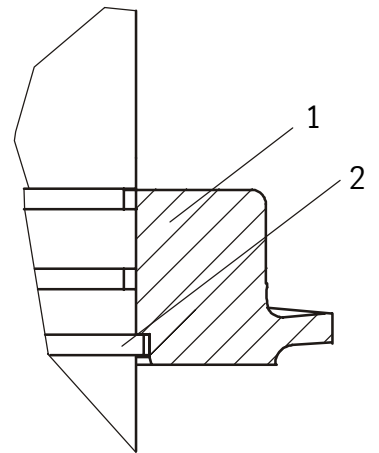


# E4-WM5-Y173A00 MOUNTING INSTRUCTIONS



**When fitting the spring plate  
( 1 ) care must be taken to  
ensure that the circlip ( 2 )  
is seated correctly!**

Example: circlip in lower position



Install spring plate in correct direction!  
Improper installation will cause incorrect ride  
height and damage the shock absorber!

# E4-WM5-Y173A00

## MOUNTING INSTRUCTIONS



Carefully check that the spring will not become loose at fully extended shock absorber length ( max. lowering)!

Abb. / fig./ 4

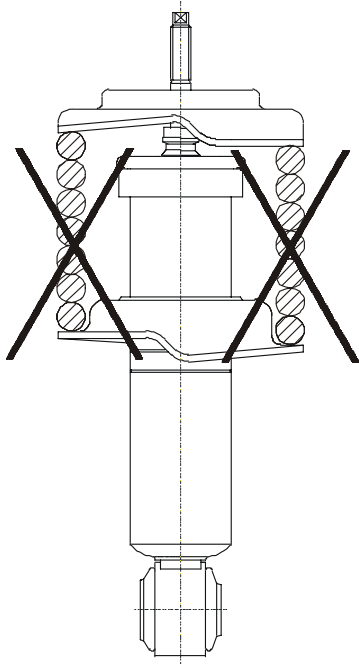
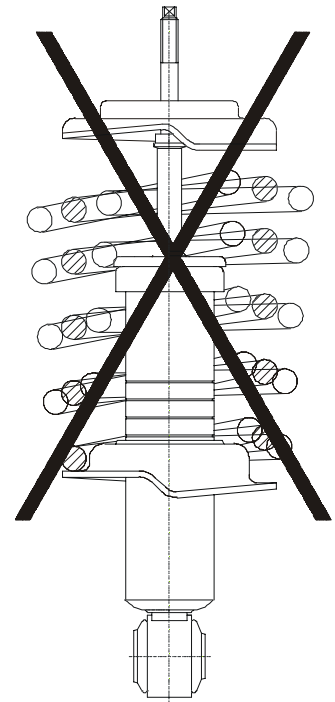
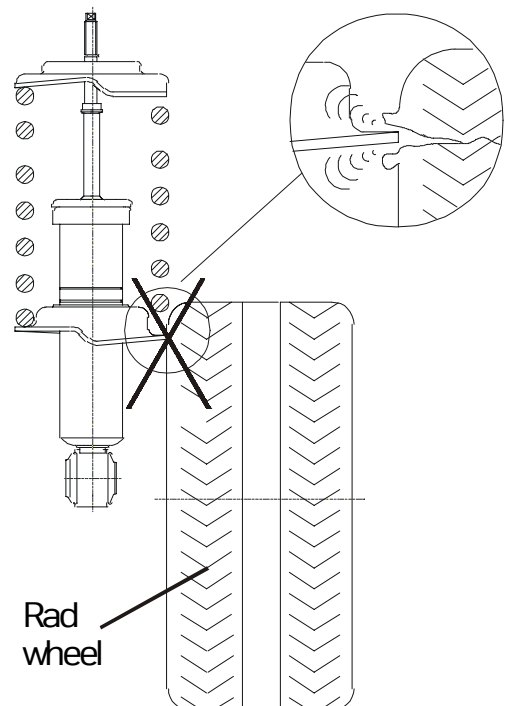


Abb. / fig./ 5

The wheel or other chassis components must not touch spring plate, bracket or brake hose holder ( max. lowering)



The spring must not be fully compressed when the shock absorber is fully compressed ( upper groove)!



# E4-WM5-Y173A00 MOUNTING INSTRUCTIONS



## BILSTEIN shock absorbers with additional circlip grooves

This section only applies to selection of the upper, central or lower circlip position for the shock absorber types listed in the application guide below.

Typ type	upper circlip groove	central circlip groove	lower circlip groove
<b>F4-B46-1876</b>	TOYOTA Mark II JZX91 ab 10.92		TOYOTA Crown JZS155
<b>F4-B46-2114</b>	HONDA Ascot		HONDA Accord
<b>F4-BE5-2641</b>	FORD Ka bis '98		FORD Fiesta/ Puma bis '98
<b>F4-BE5-6095</b>	FORD Ka ab '98		FORD Fiesta/ Puma ab '98
<b>F4-BE5-6271</b>	---		mitsubishi Pajero ab '99
<b>F4-B46-0608</b>	BMW E28 HD- Version		
<b>F4-B46-0819</b>	BMW 2500- 3.3l (angelegte Feder= Teller mit Absatz/ spring plate with step/		BMW 2500- 3.3l (angeschliffene Feder= glatter Teller/ flatt spring plate/
<b>F4-B46-0730</b>	BMW 518- 530 (angelegte Feder= Teller mit Absatz/ spring plate with step/		BMW 518- 530 (angeschliffene Feder= glatter Teller/ flatt spring plate/
<b>F4-BE3-6747</b>	mitsubishi Galant Kombi/ Station Wagon		mitsubishi Galant Limousine/ sedan
<b>F4-BE3-2583</b>		mitsubishi Legnum Kombi/ Station Wagon	mitsubishi Galant Limousine u. Kombi/ sedan and Station Wagon
<b>F4-BE5-2582</b>	mitsubishi Legnum Kombi/ Station Wagon	mitsubishi Galant Limousine/ sedan	
<b>F4-BE5-A170</b>	SUBARU Legacy BE5 sedan		SUBARU Legacy BH5 wagon